

## LOAD CELLS

off center

PS19



Designed for the construction of scales in the medical equipment and batching systems

ATEX (option)

3000 Divisions OIML R60 approved

Made of stainless steel

IP68 Protection (EN 60529)

Maximum size of the plate 600 x 600 mm (800 x 800 for capacity 250 and 400 kg)

### TECHNICAL CHARACTERISTICS PS19

Rated load (R.L.):	15, 20, 30, 50, 75, 120, 200, 250, 350, 400 Kg
Combined Error:	< ±0.017% of R.O.
Repeatability:	< ±0.010% of R.O.
Creep (20 minutes):	< ±0.016% of R.L.
Safe overload:	150% of R.L.
Ultimate overload:	200% of R.L.
Recommended input:	5÷15 Vdc/Vac
Input resistance:	400 ± 20 Ohm
Output resistance:	350 ± 3 Ohm
Insulation resistance:	> 5000 M Ohm
Rated output (R.O.):	2 ± 10% mV/V
Zero balance:	< ±2% of R.O.
Temperature range:	-20 ÷ +50 °C
Compensated Temperature Range:	-10 ÷ +40 °C
Temperature effect on zero balance:	< ±0.01% R.O./5°K
Temperature effect on output:	< ±0.006% on output/5°K
Max load deflection:	0.3÷0.5 mm
Accuracy class:	3000 n.OIML
Degree of protection:	IP68
Electrical connection:	4 conductors shielded cable; length 3 m
Material:	Stainless steel

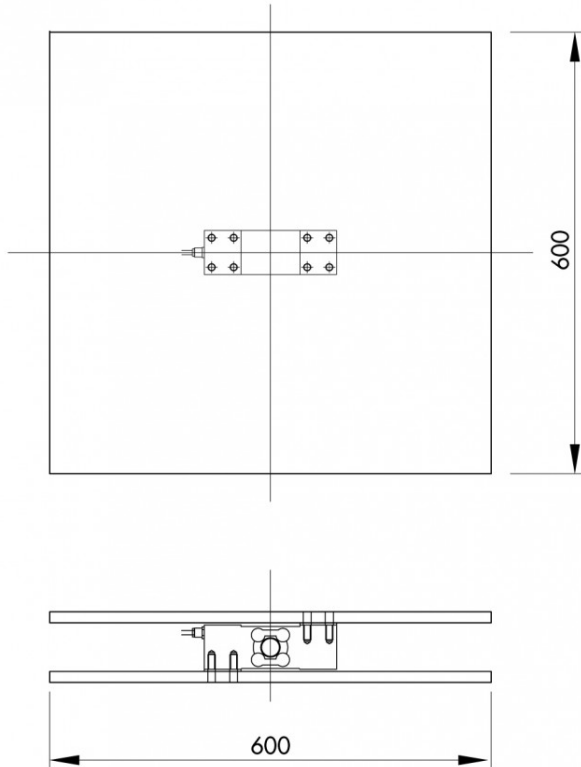




## LOAD CELLS

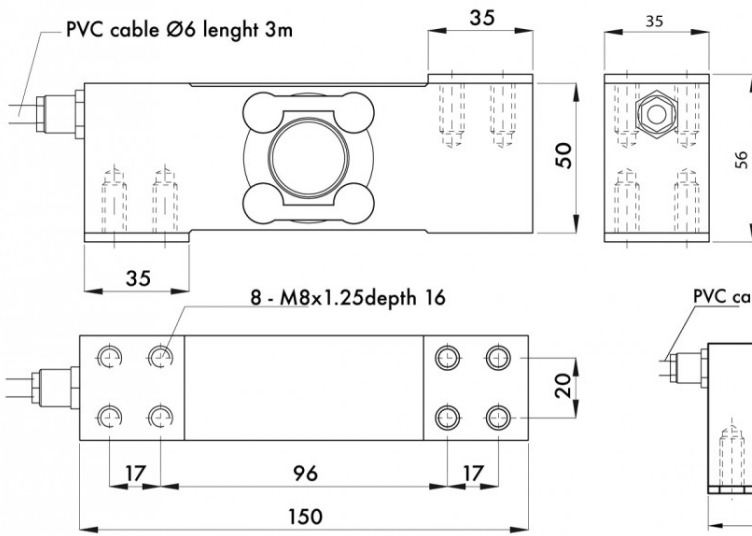
off center

PS19

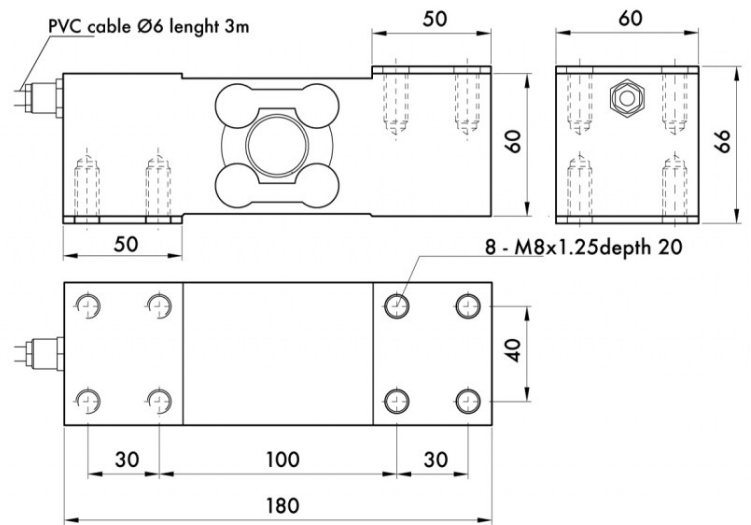


Electrical Connection	
+Excitation	Green
-Excitation	Black
+Signal	Red
-Signal	White
+Sense	Blue
-Sense	Yellow
Shield	Cable Shield





**Capacity 15 ÷ 350 Kg**



**Capacity 250 ÷ 400 Kg**

