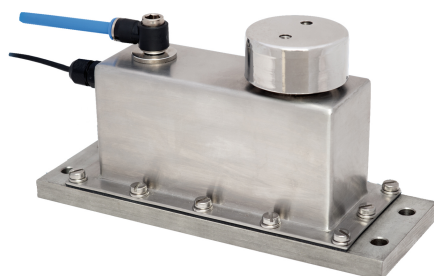


LOAD CELLS
off center
PS26


Capacity from 5 to 200 Kg

Double bending beam load cell

4000 divisions O.I.M.L. R60 class C

Viscous damping specially for use in dynamic weighing applications: faster settling time, higher weighing speeds, increase load cell life

Stainless-Steel housing

Protected against humidity IP68 (EN 60529)

Single point load cell, for off-center loadson platforms up to 500 x 500 mm (5...35 kg)and 600 x 600 mm (50...200 kg)

Integrated on-center overload protection, with a dual stopper for up and down loads

TECHNICAL CHARACTERISTICS PS26

Nominal capacities (Ln):	5-7.5-10-15-20-35-50-75-120-200 kg
Total error:	< ±0.013 %Sn
Temperature effect on zero:	< ±0.01 %Sn/5°C
Creep error (30 minutes):	< ±0.012 %Sn
Temperature compensation:	-10...+40 °C
Operating temperature:	-20...+70 °C
Nominal sensitivity (Sn):	2 ±10% mV/V
Nominal input voltage:	10 V
Maximum input voltage:	15 V
Input impedance:	400 ±20 Ohms
Output impedance	350 ±3 Ohms
Insulation resistance:	> 5000 M Ohms
Maximum deflection (at Ln):	0.2-0.4 mm



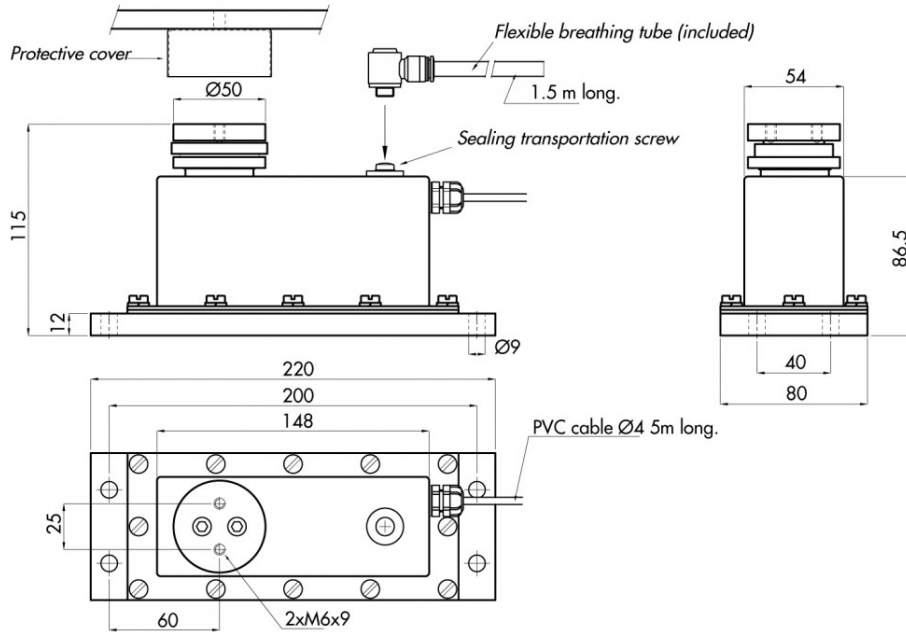


LOAD CELLS

off center

PS26

DIMENSIONS LOAD CELL MODEL 260 5÷35 KG CAPACITY



DIMENSIONS LOAD CELL MODEL 260 50÷200 KG CAPACITY

