

LOAD CELLS
shear beam
65083


Engineered for the weighing of hoppers and reservoirs and for the construction of platforms of low profile

OIML 3000 div approved

Avoid the use of mechanical restraints when used with its mounting accessories

Excellent linearity and precision

Resistance to 50% lateral loads in excess

Made of stainless steel

Watertight protection for use in harsh environments

Also available in special versions for high temperature

TECHNICAL CHARACTERISTICS 65083

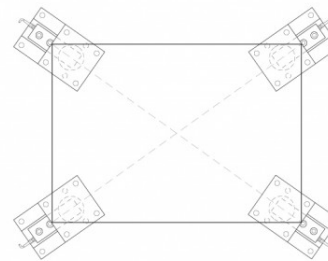
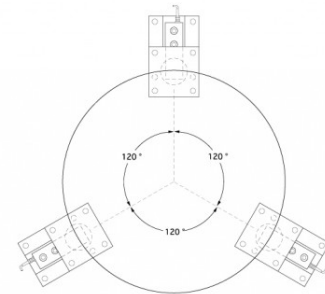
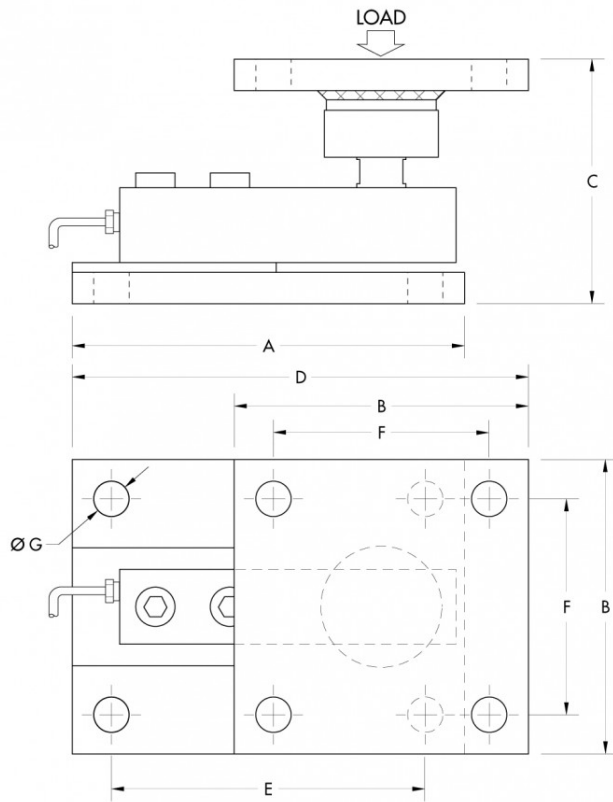
Rated load (R.L.):	500, 1000, 2000, 3000, 5000 Kg
Combined error:	±0.02 % of R.O.
Repeatability:	±0.01 % of R.O.
Creep (20 minutes):	±0.017% of R.L.
Safe overload:	150% of R.L.
Maximum overload:	300 % of R.L.
Recommended input:	5÷15 Vdc/Vac
Input resistance:	343÷357 Ohms
Output resistance:	349÷355 Ohms
Insulation resistance:	> 1000 M Ohms
Rated output (R.O.):	2 ± 0.25% mV/V
Zero balance:	±1% of R.O.
Temperature range:	-18 ÷ +65°C
Compensated temperature range:	-10 ÷ +40°C
Temperature effect on zero balance:	0.0006% of R.O./10°C
Temperature effect on output:	0.0004% of output/10°C
Max load deflection:	0.2 ÷ 1.4 mm
Degree of protection:	IP67
Material:	Stainless steel
Electrical connection:	4 conductors shielded cable; length 6 m
Precision class:	3000 n. OIML
Clamping force without any load:	500÷2000 kg : 136 Nm 3000÷5000kg : 205 Nm



LOAD CELLS

shear beam

65083



CAPACITY kg	500-2000	3000-5000
A	150	200
B	100	150
C	98/101	120/123
D	181.6	248.4
E	120	160
F	70	110
G	13	18

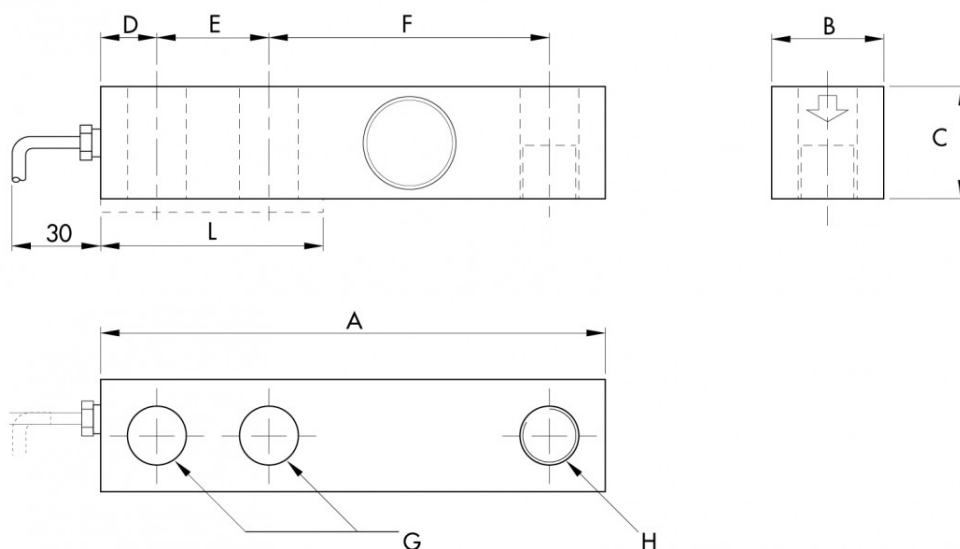




LOAD CELLS

shear beam

65083



Electrical Connections

+Excitation	Red
-Excitation	Black
+Signal	Green
-Signal	White
Shield	Cable Shield

CAPACITY kg	500-2000	3000-5000
A	130	171.5
B	31	38.1
C	31	38.1
D	15.8	19.1
E	25.4	38.1
F	76.2	95.3
G	13.5	20.6
H	M12x1.75	M20x2.5
L	57	76

