

LOAD CELLS

shear beam

LEVERMOUNT

Levermount is the most recent and innovative mechanical system of load cells assembly for industrial weighing systems

IP68/69

Stainless steel load cells, OIML certified C3

Its basis with three fixing points guarantees maximum stability

The kit is easily adjustable for the radial and tangential mounting

Not hinder the normal movements of expansion and contraction of the tank

Permits raising of the tank/vessel autonomously without the use of a jack

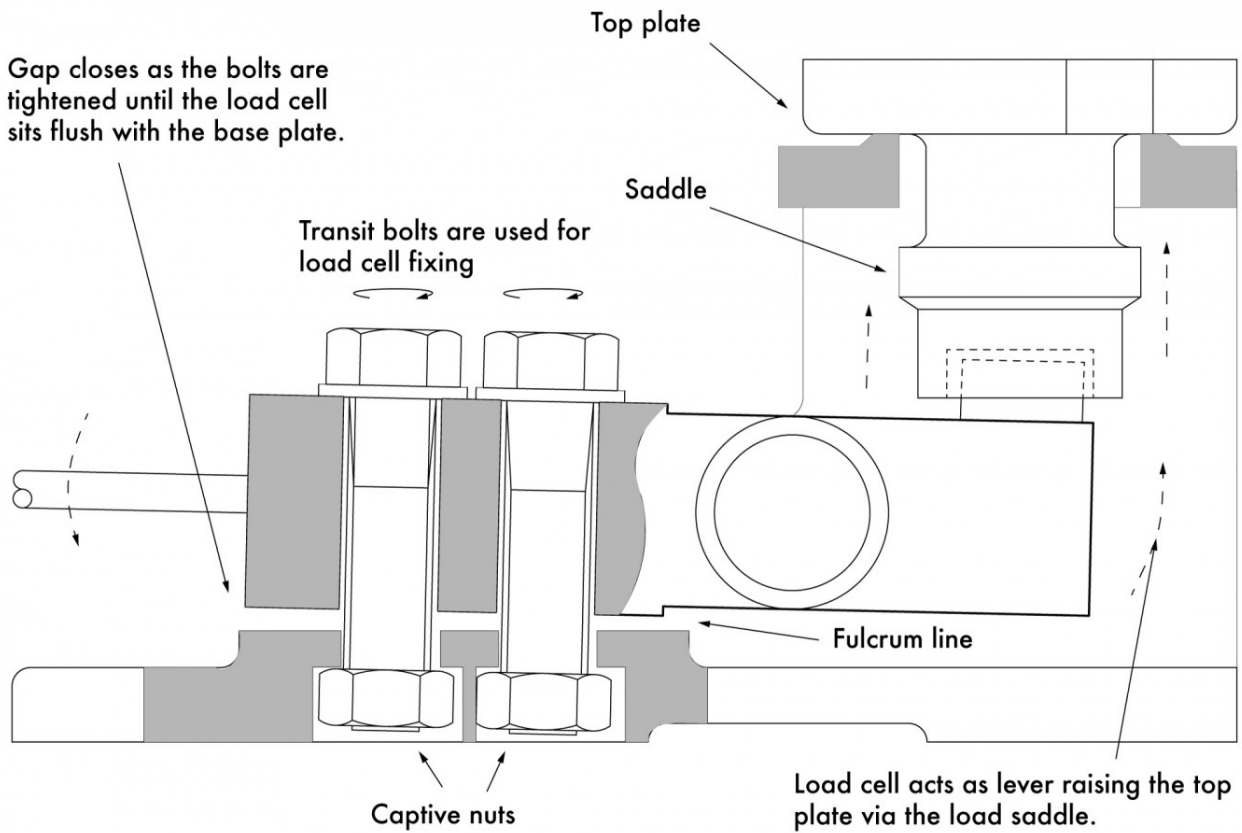
TECHNICAL CHARACTERISTICS LEVERMOUNT

Rated load (R.L.):	10, 20, 50, 100, 200, 250, 300, 500, 1000, 1500, 2000, 3000, 5000 kg
Combined error:	< ±0.017% of R.O.
Repeatability:	< ±0.015% of R.O.
Creep (30 minutes):	< ±0.016% of R.O.
Safe overload:	150% of R.L.
Ultimate overload:	300% R.L.
Recommended input:	5÷15 Vcc/ca
Input resistance:	400 ± 20 Ohms
Output resistance:	350 ± 3 Ohms
Insulation resistance:	> 5000 M Ohms @ 100 Vdc
Rated output (R.O.):	2 ± 0.1% mV/V
Zero balance:	< ±1%SN (20÷200 Kg) < ±2%SN (300÷5000 Kg)
Temperature range:	-20 ÷ +70°C
Compensated temperature range:	-10 ÷ +40°C
Temp. effect (- 10°C to + 50°C) on output:	< ±0.010%SN/5°C
Temperature effect on output:	< ±0.006% SN/5°C
Deflection	0.2÷0.4 mm
Precision class:	3000 n. OIML
Degree of protection:	IP68
Electrical connection:	4 conductors shielded cable; L= 5 m (4m PN 20-300 kg)
Clamping force:	300÷2000 kg PN: 136 Nm 3000÷5000 kg PN: 205 Nm



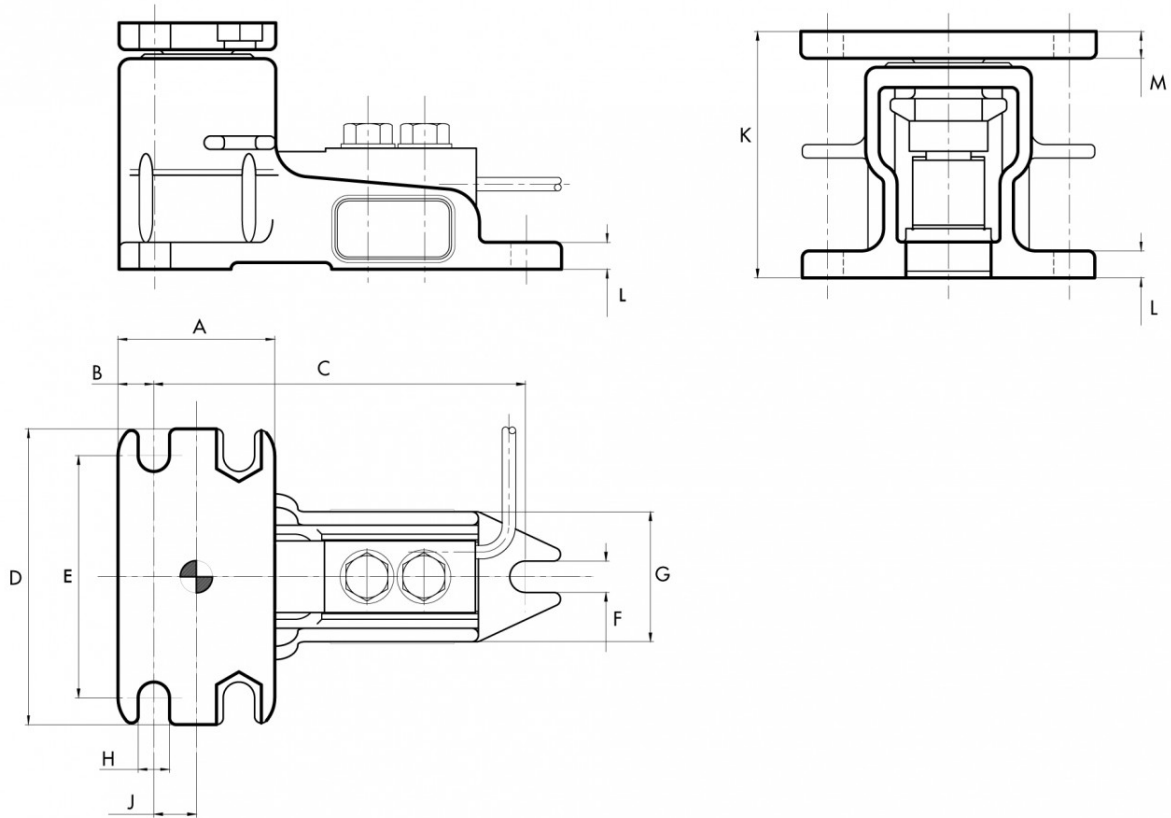


LOAD CELLS
shear beam
LEVERMOUNT





LOAD CELLS
 shear beam
 LEVERMOUNT



PORTATA kg	A	B	C	D	E	F	G	H	J	K	L	M
20, 50, 100, 200	70	16	147	100	80	9	55	9	19	80	7	8
300, 500, 1000, 2000	70	16	168	132	108	14	60	14	19	110	12	12
3000, 5000	100	25	225	190	150	22	80	22	25	166	15	20

