



## Manual Encoder EEM 70

Manual pulse generator with magnetic click-stop, flange with central thread, protection IP 65 at front, resolution up to 10.000 pulses / revolution

### Resolution

#### Resolution (Pulses/Revolution):

1 - 6000	7000	7200	7500
8000	8192	9000	9144
10000			

### Type explanation

#### EEM 70-4-0100-05-D-RK

Encoder type	Incremental
Flange diameter	ø 62 mm
Case diameter	ø 62 mm
Number of channels	2 = A + B 4 = AA + BB
Resolutions	xxxx = Impulse pro Umdrehung
Supply voltage	05 = 5 VDC ± 5% 30 = 10 .. 30 VDC
Output driver	D-RS422 P
Position of clamps	RK = Terminal clamps at rear

## Technical data

### Mechanical data

	2 Kugellager
Torque	3 ... 20 Ncm
shaft loading	15 N radial 10 N axial
Weight	? 0,7 kg

### Environmental conditions

Vibration	100 ms <sup>-2</sup> (20 .. 2000 Hz)
Shock	1000 ms <sup>-2</sup> (11 ms)
Operating temperature	-0 ... +80°C
Atmospheric humidity	? 85% r.h.
Protection class	IP 65 at front IP 50 at rear

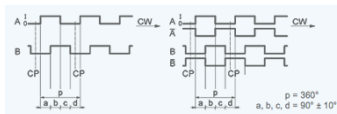
### Electrical data

Scanning type	Optical, without contact
Transmitter, infrared	LED
Receiver	Photo-Transistor
Supply voltage	V <sub>cc</sub> = 5 VDC ±5% V <sub>cc</sub> = 10...30 VDC
Power consumption	200 mA max.
Output frequency	? 300 kHz (Output D) ? 160 kHz (Output P)
Signal level	High > V <sub>cc</sub> - 2 V Low < 0,5 V
Load capacity of the outputs	20 mA

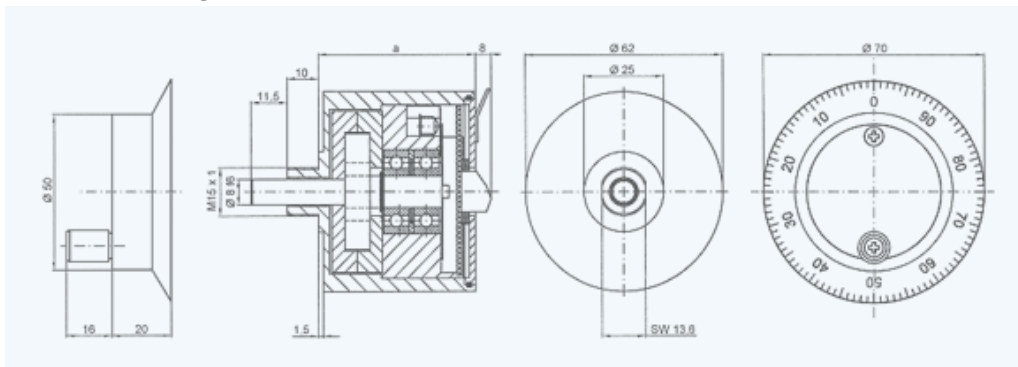
## Output driver



## Output channels / Output signals



## Outline drawing



INDUcoder® · INDUcoder Messtechnik GmbH, Kaiserstraße 316, 47178 Duisburg, Deutschland  
Tel: (0203) 57047-0, Fax: (0203) 57047-20, E-Mail: [info@inducoder.de](mailto:info@inducoder.de), Internet:  
[www.inducoder.de](http://www.inducoder.de)