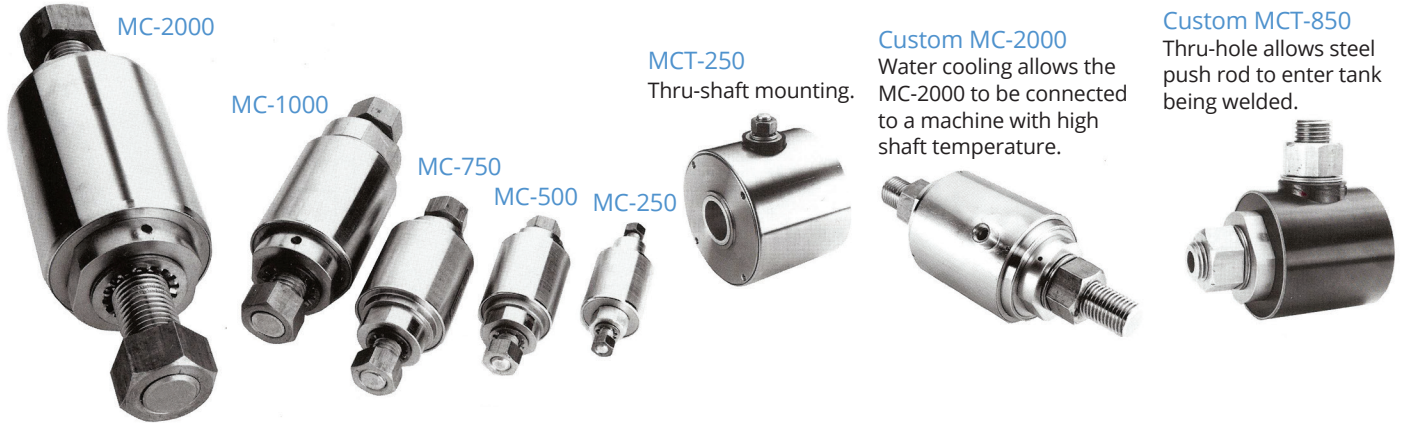


Model MC • Single Contact - High Current



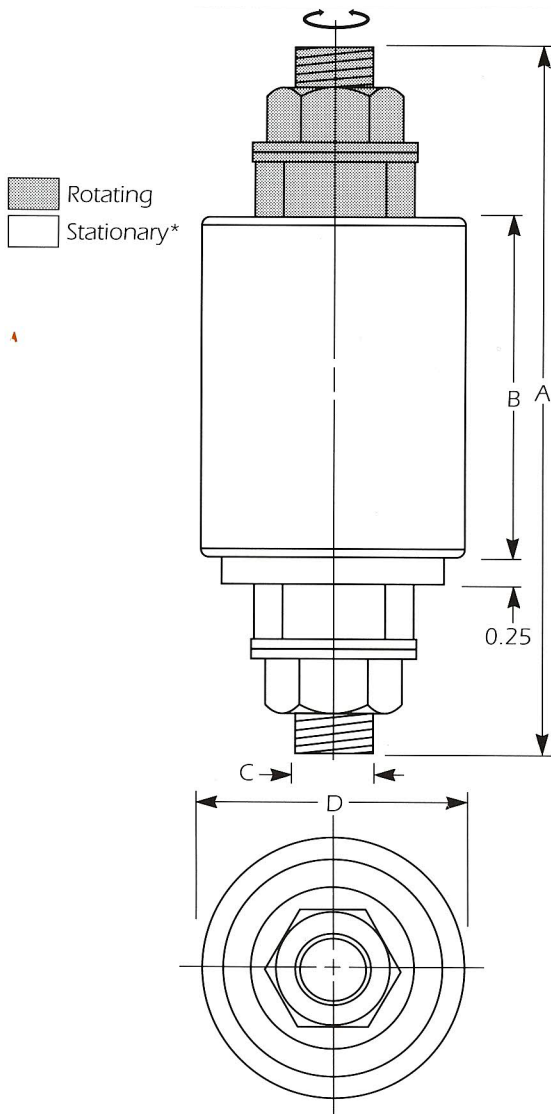
ROTOCON® Model MC high current rotary contacts are an innovative new concept. Unlike conventional slipping contacts, the MC uses Meridian Laboratory's proprietary ROTOCON design. Arcing, "make and break" electrical contact, friction, and the resulting short operating life are all eliminated by using the MC. Welding, plating, and other high current applications benefit with higher product quality and substantially reduced energy consumption. A typical slipping contact can lose 40% of its electrical efficiency due to unavoidable wear - while the MC continues working with greater than 95% efficiency! The MC's energy savings alone make it an excellent investment. The MC can operate continuously at the rated maximum current without auxiliary cooling and is designed to handle 100% current overloads (with some heat generation). The surprisingly small size of the MC series makes installation quick and easy. Environmental sealing and a corrosion proof housing provide a long service life with zero maintenance.

Specifications

Mechanical	
RPM	0-2,000 continuous.*
Mounting	Any end-of-shaft orientation is acceptable. One end of the MC must have a flexible link to the equipment. Rigid connection of both ends should be avoided.
Housing	Corrosion resistant stainless steel.
Connections	Copper studs with lock washers and nuts.
General	Permanently lubricated bearings at both ends.
Electrical	
Voltage	Any voltage is acceptable with a single contact MC.
Current	See table on back. (Contact Meridian Laboratory for custom units)
Frequency	DC or AC
Stationary Contact Resistance	1 m Ω
Rotating Contact Resistance	Same as stationary resistance, no change with rotation.
Environmental	
Ambient Temperature	Not to exceed 160°F (70°C), assuming minimal heat flow through shaft and housing mounts. If machinery surfaces are hot, use insulated mounting systems or optional MCW – water cooling add-on.
Relative Humidity	No effect.

*Please contact Meridian Laboratory for unit specific ratings.





*Housing can rotate (end stud held stationary) if RPM's are low or if unit is balanced by Meridian Laboratory.

Model No.	Max. Amps	A	B	C	D	Wt. (lbs.)
MC-250	250	4.50	2.00	3/18-16	1.63	1.3
MC-500	500	5.25	2.31	9/16-12	2.00	2.3
MC-750	750	6.62	2.62	3/4-10	2.50	4
MC-1000	1000	8.62	3.62	1-8	3.00	15
MC-2000	2000	14.50	6.25	1 1/2-6	4.50	32

Higher current units available upon request, please contact Meridian Laboratory for more information.

- Note 1:** Dimensions subject to change without notice. If precise dimensions are required, contact Meridian Laboratory.
- Note 2:** Higher current capacity designs are available.
- Note 3:** See the MXP Series for higher power handling with multiple contacts.

Applications

- Rotary Welding Ground Contact
- Continuous Plating Ground Contact
- Power Circuits
- Rotary Static Electricity Ground

Features

- Compact Size
- 95% Energy Efficient
- Zero Maintenance
- Eliminates Arcing
- Environmentally Sealed
- Rugged Design
- Continuous Duty Cycle Operation
- Handles 100% Overloads
- Free Air Cooling
- Mount in Any End of Shaft Orientation

Call us today at 1 (800) 837-6010 to request a quote or visit us online at www.MeridianLab.com to learn more.