

Model MXP • Multiple Contacts - High Current



MXP-12



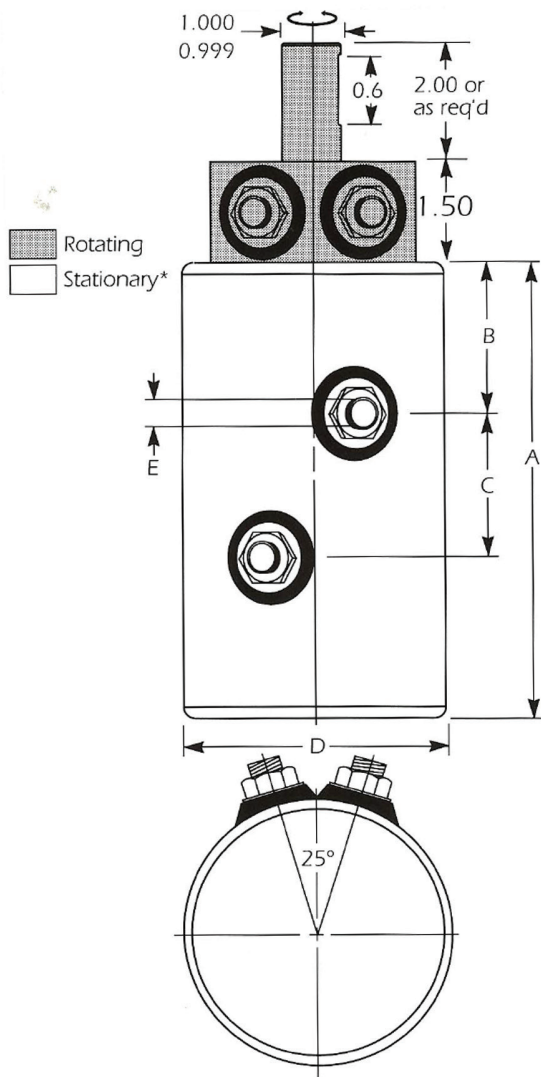
Custom MXP-4
 Double slip-on connectors were provided for each electrical contact. The extra long shaft was needed to fit special mounting requirements.

Model MXP is the high current multiple contact version of the series. Thousands of amperes can be handled by the unique ROTOCON design. For applications like rotary turntable molding machines, conventional slipping contacts suffer from arcing, friction, and the inevitable degradation of electrical performance. The MXP, on the other hand, operates continuously at 95% energy efficiency with no arcing or breaks in the smooth flow of power. This greatly improves product quality and eliminates the maintenance expenses. The MXP is the ultimate high power, multiple circuit, rotary contact assembly.

Specifications

Mechanical	
RPM	0-1000 continuous.*
Mounting	Any end-of-shaft orientation is acceptable. Either the shaft or the housing must have a flexible coupling or link to the supporting structure. Housing rotation is prevented by an anti-rotation bolt with spring (standard) or support ring (optional).
Housing	Corrosion resistant steel.
Connections	Brass studs.
General	Permanently lubricated bearings at both ends.
Electrical	
Voltage	Microvolts to 600+ volts. (Higher voltage units available)
Current	Nano-amperes to 1,000A per channel
Max Wire Gauge	Per requirements.
Frequency	DC or AC.
Stationary Contact Resistance	1 milliohm.
Rotating Contact Resistance	Same as stationary resistance, no change with rotation.
Environmental	
Ambient Temperature	Not to exceed 160°F (70°C), assuming minimal heat flow through shaft and housing mounts. If machinery surfaces are hot, use insulated mounting systems or optional MXPW – water cooling add-on.
Relative Humidity	No effect.

*Please contact Meridian Laboratory for unit specific ratings.



*Housing can rotate (end stud held stationary) if RPM's are low or if unit is balanced by Meridian Laboratory.

Model No.	Max. Amps	A	B	C	D	Wt. (lbs.)
MC-250	250	4.50	2.00	3/18-16	1.63	1.3
MC-500	500	5.25	2.31	9/16-12	2.00	2.3
MC-750	750	6.62	2.62	3/4-10	2.50	4
MC-1000	1000	8.62	3.62	1-8	3.00	15
MC-2000	2000	14.50	6.25	1 1/2-6	4.50	32

Note 1: Dimensions subject to change without notice. If precise dimensions are required, contact Meridian Laboratory.

Note 2: Dimensions shown are for models with two contacts. The overall length increase by dimension "C" for each additional contact.

Note 3: Higher capacity designs are available upon request.

Applications

- Rotary Molding Turntables
- High Current Test Circuits
- Rotary Heating Elements
- High Power Circuits

Features

- High Current/Multi-Contact
- 95% Energy Efficient
- Zero Maintenance
- Eliminates Arcing
- Environmentally Sealed
- Rugged Design
- Compact Size
- Designed for Continuous Operation

Call us today at 1 (800) 837-6010 to request a quote or visit us online at www.MeridianLab.com to learn more.