



Measuring Wheel 200 mm smooth MR200PG

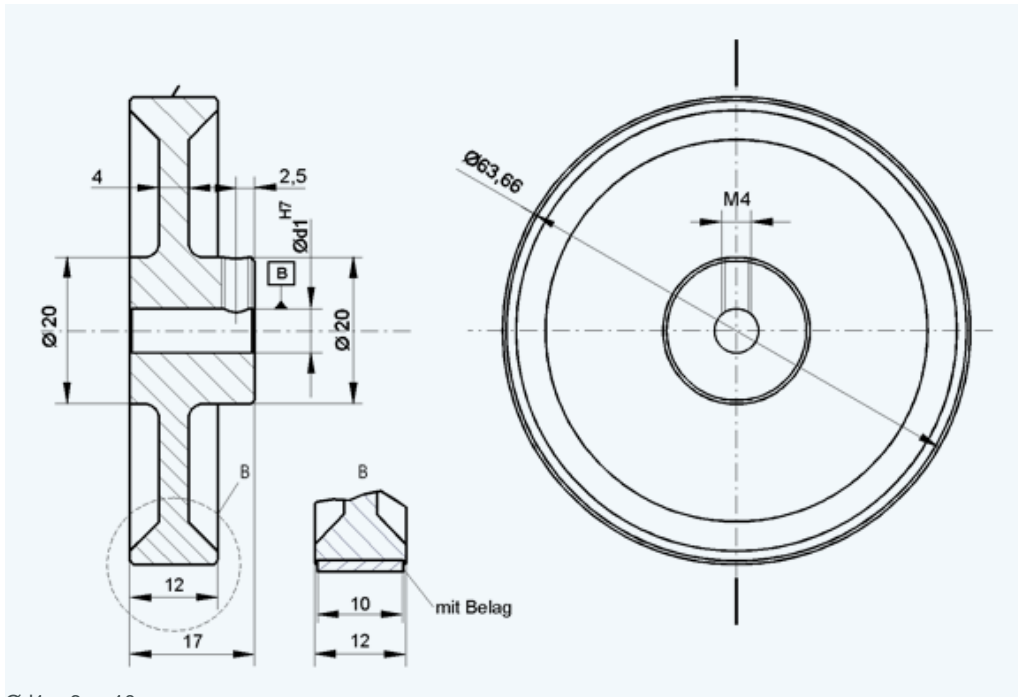
Measuring wheel made of aluminum with smooth polyurethane coating for length measurement of different materials, very smooth running characteristics, high measurement accuracy, optimized design for low weight.

This measuring wheel is especially suitable for greased metals, steel profiles, painted surfaces, plastics, paper, cardboard, wood, textiles, wire and leather.

Technical data

Circumference	200 ±0,2 mm
Material core	Aluminium
Material contact surface	Polyurethan
Structure contact surface	glatt / <i>smooth</i>
Moment of inertia	310 gcm ²
Weight	60 g

Outline drawing



$\varnothing d1 = 6$ or 10 mm

INDUcoder® · INDUcoder Messtechnik GmbH, Kaiserstraße 316, 47178 Duisburg, Deutschland
Tel: (0203) 57047-0, Fax: (0203) 57047-20, E-Mail: info@inducoder.de, Internet:
www.inducoder.de