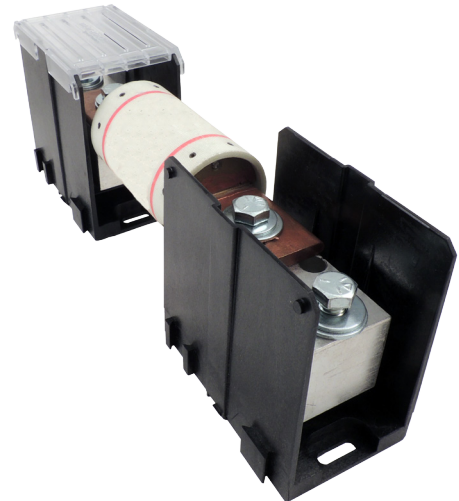


## Fuse Holder, Modular Bolt-down

# MFH6xx3DD

Replace "XX" with 06 or 15 for Voltage Designation  
Add suffix "CH" for snap-on hinged cover (MFH6xx3DD CH)



### Wire Range

- For use with Listed lugs or flexible bus bar

### Electrical Ratings

- 600 Amps
- Voltage
  - 600 volts (with MFH6063DD)
  - 1500 volts (with MFH6153DD)
- SC withstand 200kA (600V), 10kA (1500V)
- Factory & field wiring

### Agency Compliance

- UL Recognized fuse holder, evaluated to UL 4248-1, file no. IZLT2.E35113
- cURus - investigated to CSA C22.2 No 4248.1-07

### Material Information

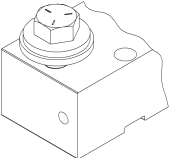
- Insulator base:
  - Thermoplastic
  - Flammability rating of insulator base UL94 V-0
  - Insulator base temperature rating: -40°C to 125°C (UL RTI)
- Connector - Al, tin plated
- Bolt - grade 5 Steel, zinc plated
- Flat washer - Steel, zinc plated
- Bellville washer - Steel, zinc plated
- RoHS compliant

## Catalog Number Information

Catalog #	Voltage Rating	Suitable Fuse Types	Amperage Rating	Withstand Rating kA	Fuse, Line, Load Terminal Stud Size
MFH6063DD	600V	Class J	201 - 400A	200kA	3/8" Stud
		Class T			
		Specialty/Semi-Conductor/High-Speed	600A Max	Note 1	
MFH6153DD	1500V	Specialty/Semi-Conductor/High-Speed	600A Max	10kA	

- Add "CH" behind above part numbers for covers installed
- Note 1: To be evaluated in the end use application. Tested Let-Through Values  $I_p$  (A) = 45kA,  $I^2t$  (A<sup>2</sup>s) = 1,100kA

## Termination Specifications

Line/Load Side	Termination Type	Torque (Lug)	Torque (Flexible bus bar*)	Maximum Lug Width
	Listed lugs or flexible bus bar on 3/8" fasteners	28.3 N·m (250 lbf·in)	28.3 N·m (250 lbf·in)	38.1 mm (1.50")

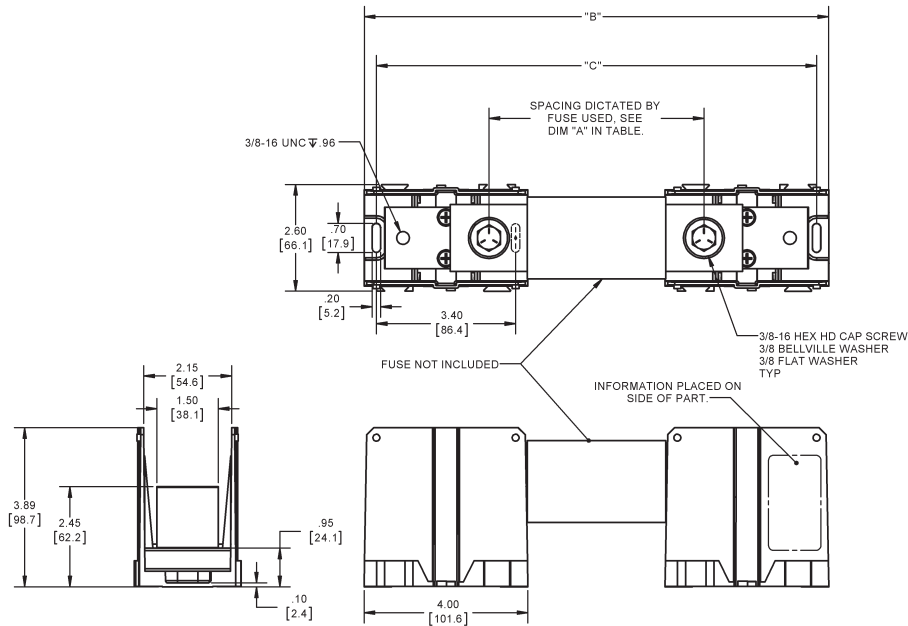
- For use with conductors prepared with listed connectors such as single hole compression/crimp lugs.
- Conductor size, ampacity, temperature rating and type are dictated by the ratings of the listed lugs utilized and applicable code requirements.
- Suitability for use with rigid bus bar or other conductors or wire connectors to be determined in the end-use application.

## Installation & Accessories

- Mounting:
  - # 10 fastener. Recommended Torque of 25 - 30 lbf·in.
- Cover : Clear thermoplastic - CH MFH6

# Product Data Sheet

## Drawing & Reference Fuse Data



Fuse Information <sup>1</sup>				Dimensional Information		
Fuse Class	Voltage Rating	Amperage Rating	Catalog #	"A" Mounting Distance	"B" Overall Length	"C" Mtg. Hole Distance
FWH	500	225 - 400	MFH6063xx	3.10"	9.20"	8.60"
FWH	500	450 - 600	MFH6063xx	3.16"	9.26"	8.66"
J	600	225 - 400	MFH6063xx	5.25"	11.35"	10.75"
T	300	225 - 400	MFH6063xx	1.84"	7.94"	7.34"
T	600	225 - 400	MFH6063xx	2.72"	8.82"	8.22"
A50QS	500	225 - 400	MFH6063xx	3.10"	9.20"	8.60"
A50QS	500	450 - 600	MFH6063xx	3.22"	9.32"	8.72"
A150X	1500	125 - 300	MFH6153xx	6.62"	12.72"	12.12"
FWP	700	125 - 200	MFH6153xx	3.85"	9.95"	9.35"
FWP	700	225 - 400	MFH6153xx	3.91"	10.01"	9.41"
SPFJ	1000/600	250 - 400	MFH6153xx	5.25"	11.35"	10.75"
HP10J	1000	70 - 200	MFH6153xx	4.39"	10.49"	9.89"
HP10J	1000	250 - 400	MFH6153xx	5.25"	11.35"	10.75"
A70QS	700	125 - 200	MFH6153xx	3.85"	9.95"	9.35"
A70QS	700	225 - 400	MFH6153xx	3.85"	9.95"	9.35"
A70QS	700	450 - 600	MFH6153xx	3.85"	9.95"	9.35"
A100P	1000	125 - 200	MFH6153xx	4.47"	10.57"	10.18"
A100P	1000	225 - 400	MFH6153xx	4.47"	10.57"	10.18"

<sup>1</sup> Not limited to fuses above. Fuses can be evaluated in end use.