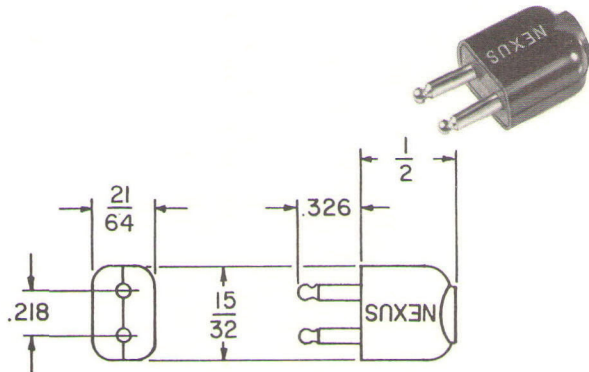


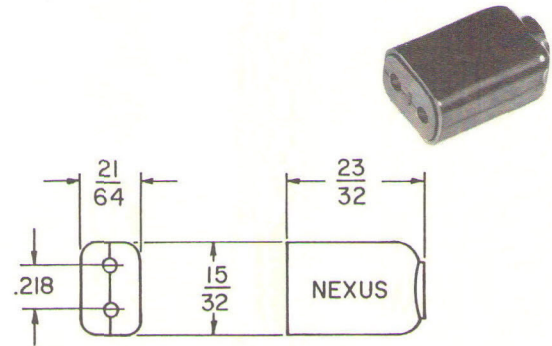
Military Microphone Plugs and Jacks

/ Two Conductor



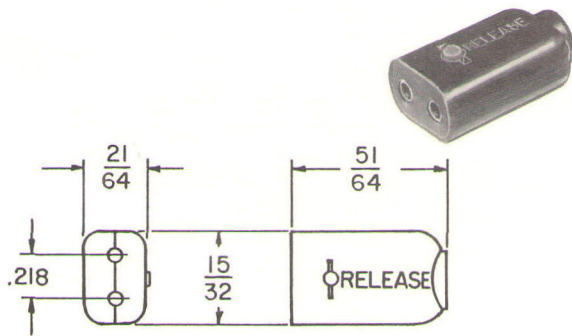
MP-101 (U-173/U)
TWO PIN MICROPHONE PLUG

Mates with NEXUS MJ-101, MJ-102, MJ-122, MJ-132 and MJ-112 two conductor jacks. Nickel plated beryllium copper contacts assemble into nylon body.



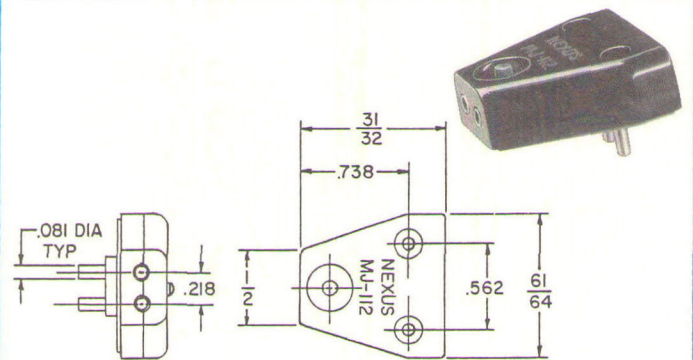
MJ-101 (U-172/U)
TWO CONDUCTOR MICROPHONE JACK

Mates with NEXUS MP-101 two conductor plug. Nickel plated beryllium copper contacts assemble into nylon body.



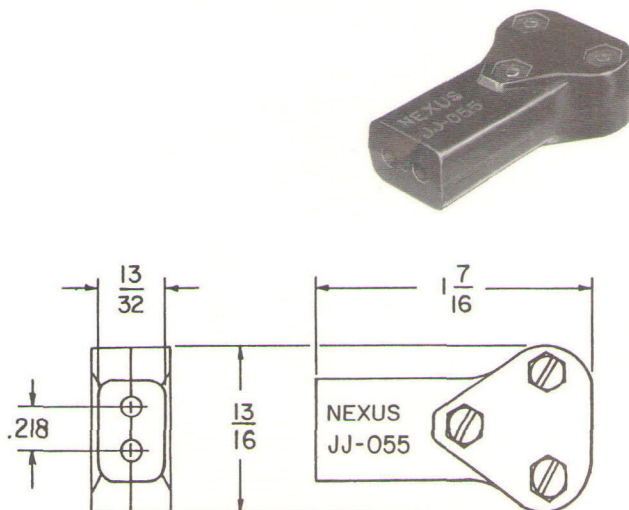
MJ-102 (U-179A/U)
TWO CONDUCTOR MICROPHONE LOCKING JACK

Mates with NEXUS MP-101 two conductor plug. Similar to MJ-101 jack in electrical and material characteristics, but with spring-actuated locking design and manual button release.



MJ-112
TWO CONDUCTOR MICROPHONE JACK

Mates with NEXUS MP-101 two conductor plug. Special oxygen mask connector, nickel plated beryllium copper contacts, spring-actuated locking design and manual button release. Assembled in ABS body.



MJ-122 (JJ-055)
TWO CONDUCTOR MICROPHONE JACK

Mates with PJ-291, PJ-292 and NEXUS MP-101 two conductor plugs. Nickel plated beryllium copper contacts assemble into glass filled nylon body.

MJ-132 (JJ-055)
TWO CONDUCTOR MICROPHONE JACK

Identical to MJ-122 except used with smaller diameter cable.