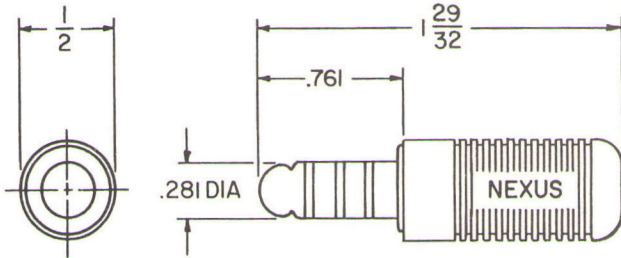
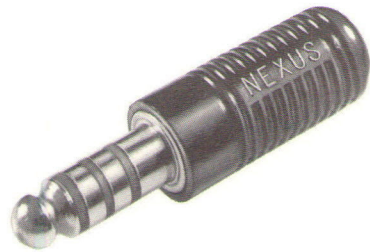
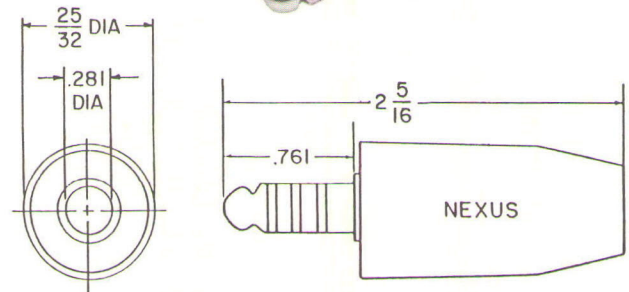
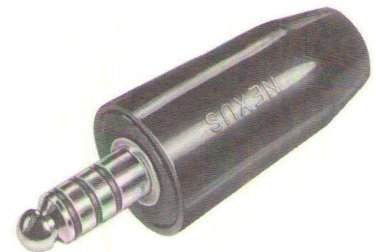


# Military Telephone Plugs / Four Conductor



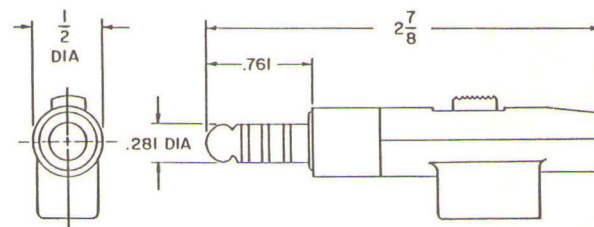
**TP-101 (U-174/U, M9177/2-1)**  
**FOUR CONDUCTOR TELEPHONE PLUG**

Mates with NEXUS Series TJ-120 and TJ-102 jacks and jack TJ-101. One piece monel contacts integrally molded into glass filled nylon plastic.



**TP-102 (U-93A/U, M9177/1-1)**  
**FOUR CONDUCTOR TELEPHONE PLUG**

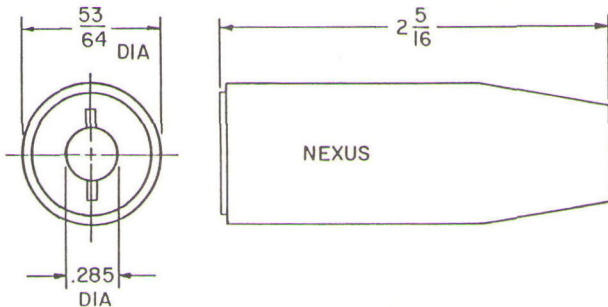
Mates with NEXUS Series TJ-120 and TJ-102 jacks and jack TJ-101. Nickel plated brass contacts molded into plastic body. It accommodates larger diameter cable than the TP-101 or TP-120.



**TPSJ-101**  
**PLUG-SWITCH-JACK COMBINATION**

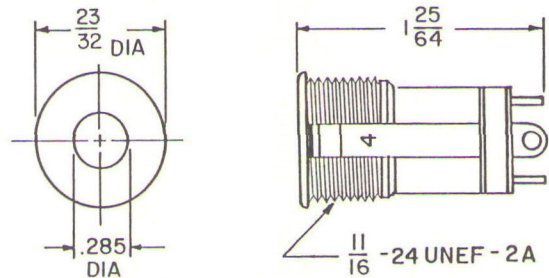
Mates with NEXUS Series TJ-120 and TJ-102 jacks and jack TJ-101. The jack section of the connector mates with an MP-101 plug. Provides the design and electrical characteristics of the TP-101, combined with a manually operated DPDT slide switch and integral two conductor microphone jack.

# Military Telephone Jacks / Four Conductor



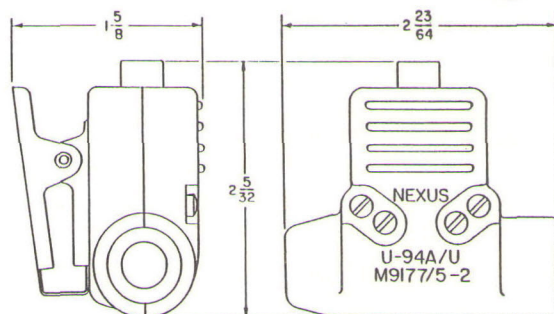
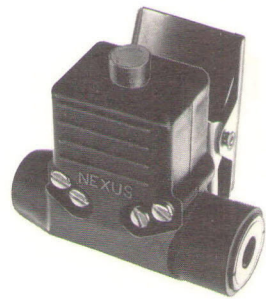
**TJ-102 (U-92A/U, M9177/3-1)**  
**FOUR CONDUCTOR TELEPHONE JACK**

Mates with NEXUS Series TP-120 plugs and plugs TP-101, TPSJ-101 and TP-102. Nickel plated beryllium copper contacts anchored in a glass filled nylon body.



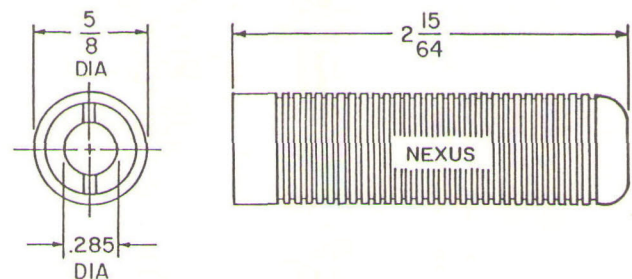
**TJT-102 (M9177/4-1)**  
**FOUR CONDUCTOR TELEPHONE JACK**

Mates with NEXUS Series TP-120 plugs and plugs TP-101 and TP-102. A panel mounted version of the TJ-102.



**TJS-102 (U-94A/U, M9177/5-2)**  
**TELEPHONE JACK SWITCH**

Mates with NEXUS Series TP-120 plugs and plugs TP-101 and TP-102. Combines a jack similar to TJ-102 with a momentary contact push-button switch and a clothing clip.



**TJ-101**  
**FOUR CONDUCTOR TELEPHONE JACK**

Mates with NEXUS Series TP-120 plugs and plugs TP-101, TPSJ-101 and TP-102. Nickel plated beryllium copper contacts molded into plastic body.