

## **Green Control Valve Model UT**

### **Ratings ANSI 150-600**

### **Application**

Green Control Valve Model UT is a state of the art Single Seated, heavy Top Guided Control Valve engineered to handle a variety of Process application. The heavy duty design and Materials of Construction provide long term trouble free operation. A wide range of materials offers a choice to suit the individual application. The smooth body flow path reduces turbulences, minimizing the effects of erosion and noise

### **Design Features**

- Compact, Single seated valve with stream lined globe type body with high flow capacity and low pressure recovery.
- Screwed-in seat trims or Quick-change
- Trim Type : Contoured
- Inherently characterized trims available in Linear, Equal percentage, Quick opening
- Unbalanced Trim

### **Benefits**

- Top-entry servicing with immediate access to plug and seat
- Reduced inspection and maintenance cost
- Trims compact and easy to install
- Excellent flow capacity and control range-ability
- Reduces potential erosion and noise problems



## ENGINEERING DATA - Green Control Valve Model UT

### General

The Model UT range of valves has been developed to provide a cost effective, reliable and easily maintained control valve capable of working in rigorous environments.

Quick-change trim provides for easily accessible seat and trim components to minimize fitting and parts replacement times. Stem guided contoured trim, in both balanced and unbalanced configuration, gives excellent rigidity and resistance to vibrations.

### End Connection Sizes/Types:

1/2 in (15 mm) - 6 in (150 mm).

Integral Flanges, Butt or Socket Weld ends. For further information, contact the factory.

### Design Standard:

ANSI B 16.34.

### Valve Body Ratings:

ANSI 150 - ANSI 600.

### Body Configurations:

Globe

### Bonnet Styles:

Standard.

For further information, contact the factory

### Standard Bonnet Packing:

Teflon/Chevrons.

### Trim type:

Contoured.

### Inherent Trim Characteristic:

Linear, Equal percentage, Quick opening.

### Plug Options:

Unbalanced.

### Plug/Seat Leakage Class:

- Class IV ANSI/IFCI70.2 as standard. Options:
- Class V
- Class VI with soft seat insert.

### Materials:

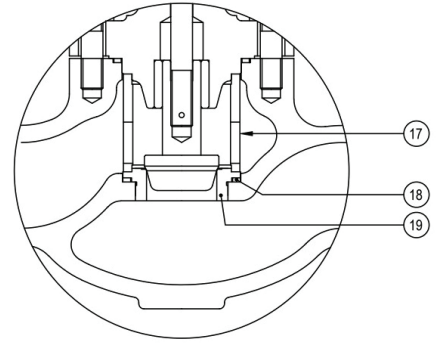
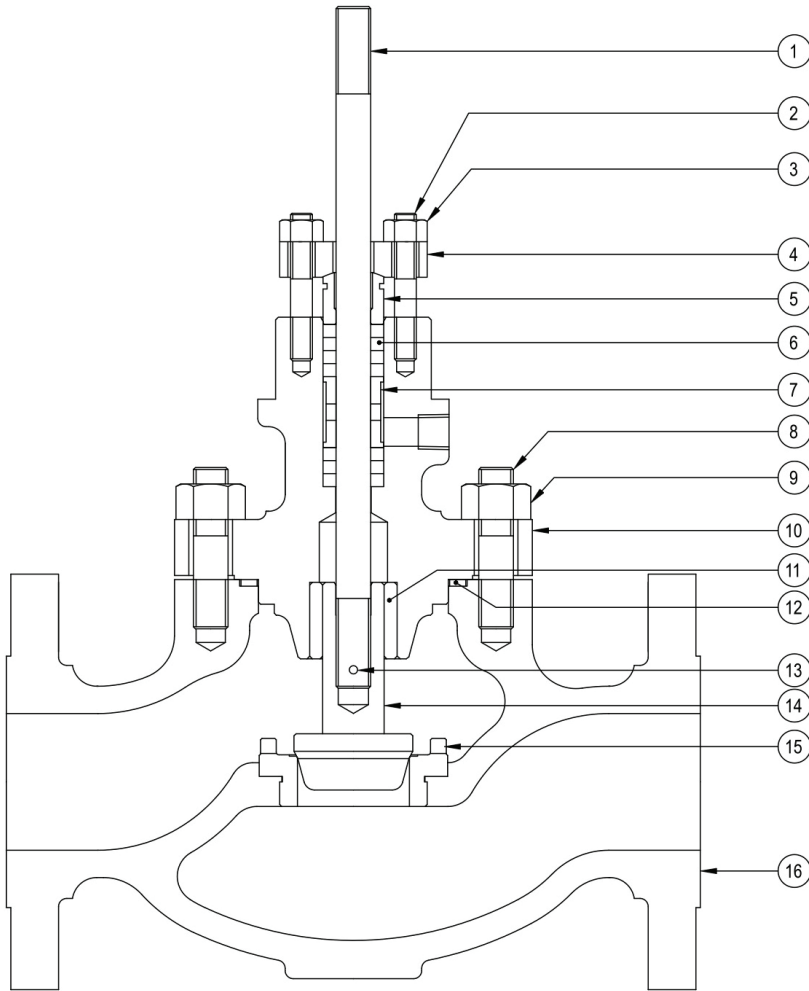
The main materials used are:

- Body: - ASTM A216 WCB/WCC / ASTM A105  
- ASTM A351CF8M / ASTM A351CF3M
- Bonnet: - ASTM A216 WCB/WCC / ASTM A105  
- ASTM A351CF8M / ASTM A351CF3M  
- ASTM A182 F316
- Trim: - 17-4 PH  
- SS 316  
- SS 316 + Stellite  
- SS 410  
- SS 410 + Stellite  
- SS 410  
- SS 410 + Stellite

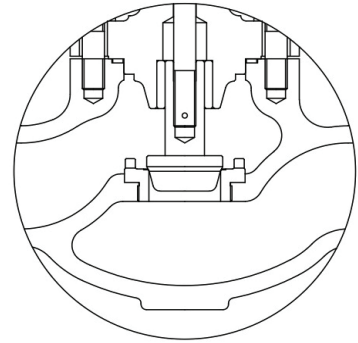
For further information, contact the factory.

### Paint:

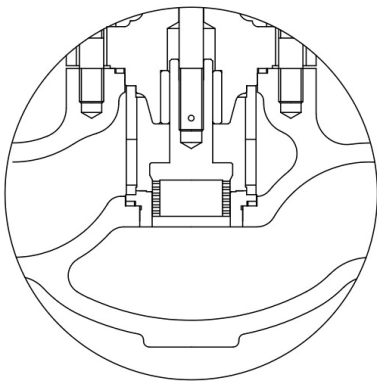
A wide range of paint finishes are available.



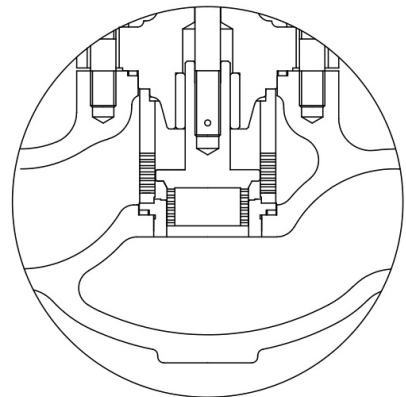
Clamped Seat



Threaded Seat



Single Stage  
Low Noise Trim FTO  
Anti-Cavitation Trim FTC



Double Stage  
Low Noise Trim FTO  
Anti-Cavitation Trim FTC

**MATERIAL COMBINATION:**

#	PART	CARBON STEEL VALVE	STAINLESS STEEL VALVE
1	Plug Stem	ASTM A 479 Ty 316	ASTM A 564 Gr. 630
2	Packing Stud	ASTM A 193 Gr. B8	ASTM A 193 Gr. B8
3	Packing Stud Nut	ASTM A 194. Gr. 8	ASTM A 194. Gr. 8
4	Packing Flange	ASTM A 668 Cl. B	ASTM A 668 Cl. B
5	Packing Follower	ASTM A 479 Ty 316	ASTM A 479 Ty 316
6	Packing	PTFE	Graphite
7	Lantern Ring	ASTM A 479 Ty. 304	ASTM A 479 Ty. 304
8	Body Stud	ASTM A 193 Gr. B7	ASTM A 193 Gr. B16
9	Body Stud Nut	ASTM A 194 Gr. 2H	ASTM A 194 Gr. 4
10	Bonnet	ASTM A 216 Gr. WCC	ASTM A 351 Gr. CF8M
11	Guide Bush	ASTM A 276 Ty 440C	ASTM A 479 Ty 316 + Stellite 6
12	Body Gasket	SS 316 + Graphite	SS 316 + Graphite
13	Plug Pin	ASTM A 582 Ty 303	ASTM A 582 Ty 303
14	Plug	ASTM A 479 Ty 316	ASTM A 479 Ty 316 + Stellite 6
15	Seat Ring	ASTM A 479 Ty 316	ASTM A 479 Ty 316 + Stellite 6
16	Valve Body	ASTM A 216 Gr. WCC	ASTM A 351 Gr. CF8M
17	Clamping Cage	ASTM A 351 Gr. CF8M	ASTM A 351 Gr. CF8M
18	Seat Ring Gasket	AISI 304 + Graphite	AISI 304 + Graphite
19	Clamped Seat	ASTM A 479 Ty 316	ASTM A 479 Ty 316 + Stellite 6

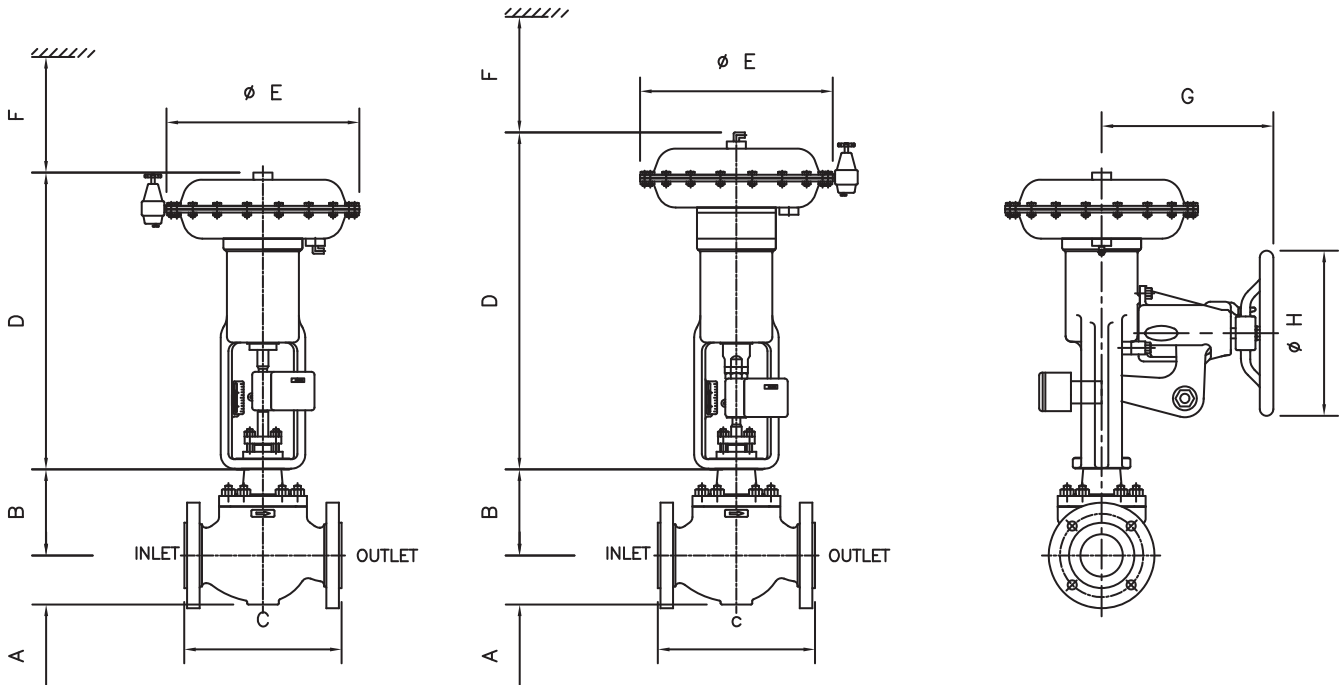
**CV DATA**

**FOR 150# - 600# (FOR STANDARD, LINEAR, EQUAL PERCENTAGE AND MODIFIED CHARACTERISTICS)**

SIZE	CV		
	REDUCED PORT	MEDIUM PORT	FULL PORT
3/4"	1.5	5	11
1"	1.5	5	11
1 1/2"	12	24	36
2"	14	25	44
3"	28	46	112
4"	48	115	192
6"	120	200	395

For other CV requirements, please consult the Engineering Department

### INSTALLATION DIMENSIONS UT SERIES



Air to Close (Model:UA11)

Air to Open (Model:UA12)

Side Mounted Hand wheel

DIMENSIONAL DETAILS OF UT SERIES VALVE BODY S/A								
SIZE		A		B		End to End - C		
Inches	mm	≤ ANSI-300	ANSI-600	≤ ANSI-300	ANSI-600	ANSI-150	ANSI-300	ANSI-600
0.75"	20	55	55	140	140	184±1.5	194±1.5	206 ±1.5
1"	25	55	55	140	140	184±1.5	197±1.5	210 ±1.5
1.5"	40	65	65	140	140	222±1.5	235±1.5	251 ±1.5
2"	50	75	75	140	140	254±1.5	267±1.5	286 ±1.5
3"	80	100		204		298±1.5	318±1.5	
4"	100	125		207		352±1.5	368±1.5	

DIMENSIONAL DETAILS OF ACTUATOR SUB ASSEMBLY						
ACTUATOR				Actuator Removal Clearance	Side Mounted Hand wheel	
SIZE	D (UA 11)	D (UA 12)	ø E	F	G	ø H
30	460	530	332	112	230	229
35	570	660	383	112	290	300
40	725	850	447	142	408	457
45	770	885	530	142	408	457
50	CF	1020	530	142	408	457
55	945	1260	530	142	CF	CF

