

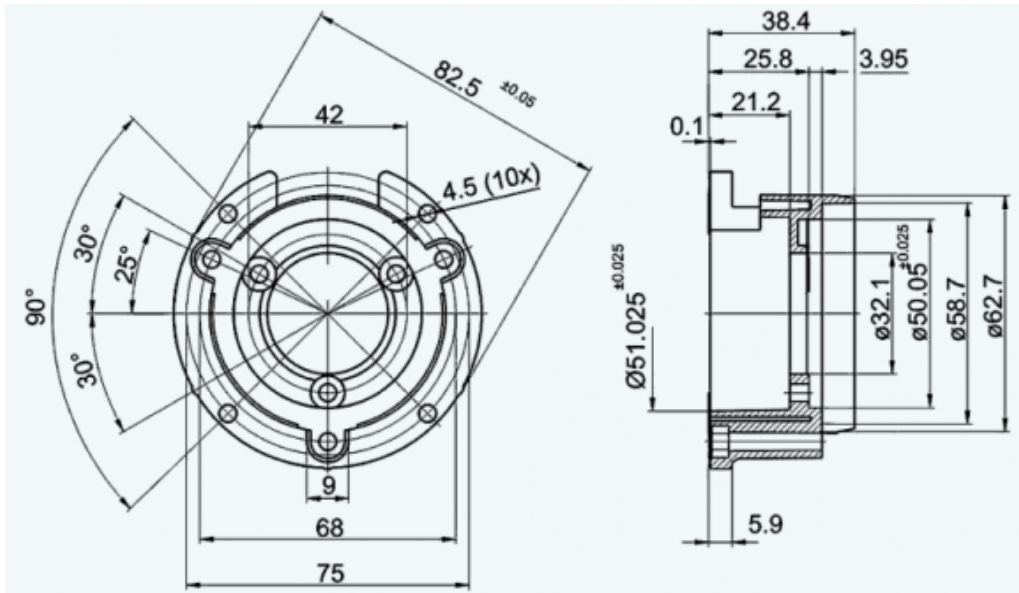


Mounting Bell MG58

Monting Bell MG 58 ist used for easy mounting of a STANDARD ENCODER or an ABSOLUT ENCODER with servo flange and 6 mm shaft diameter.

Technical data

Outline drawing



INDUcoder® · INDUcoder Messtechnik GmbH, Kaiserstraße 316, 47178 Duisburg, Deutschland
Tel: (0203) 57047-0, Fax: (0203) 57047-20, E-Mail: info@inducoder.de, Internet:
www.inducoder.de