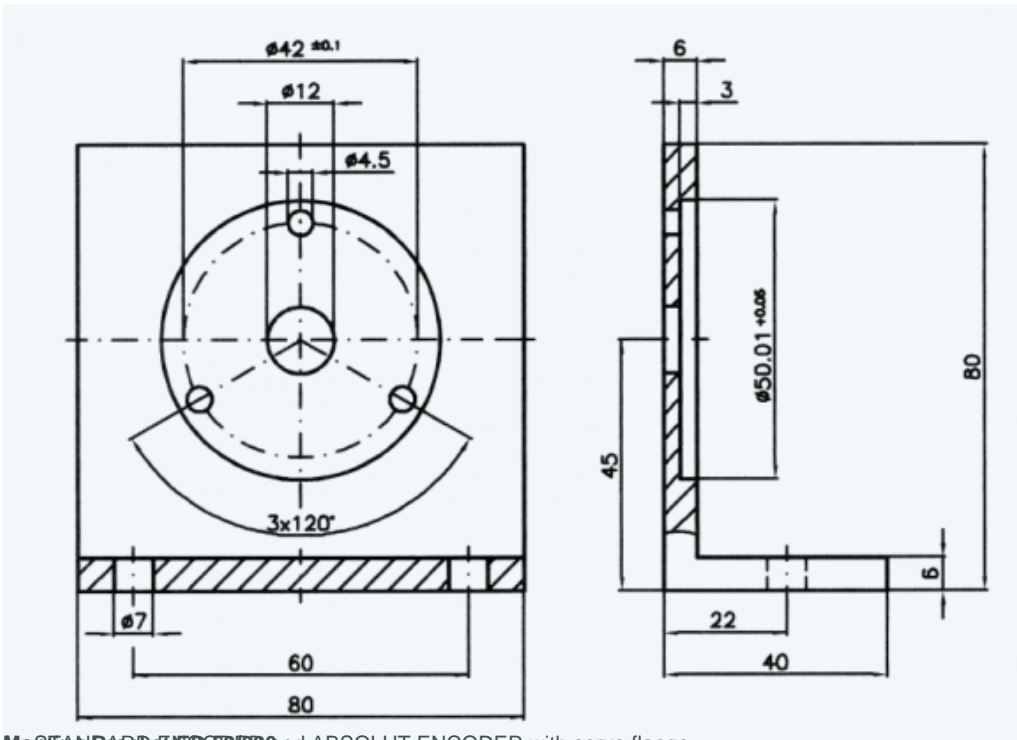


Mounting Bracket

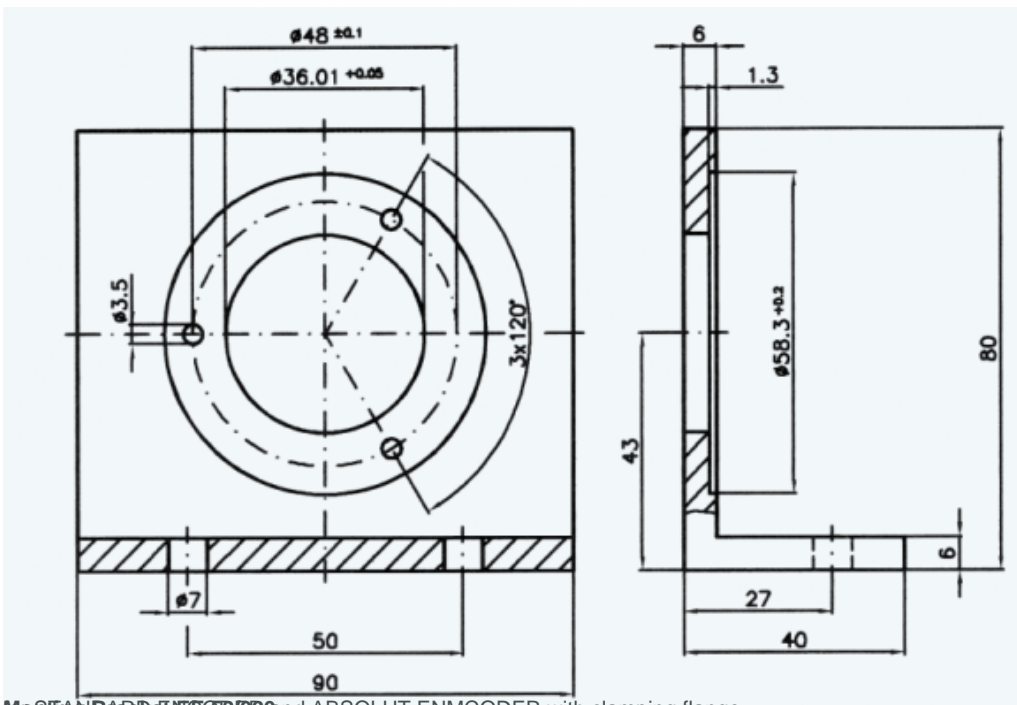
Mounting brackets are used for easy mounting of an encoder.

Technical data

Outline drawing



Mounting flange for EC58020 and ABSOLUTE ENCODER with servo flange



Mounting flange for EC58020 and ABSOLUTE ENCODER with clamping flange

