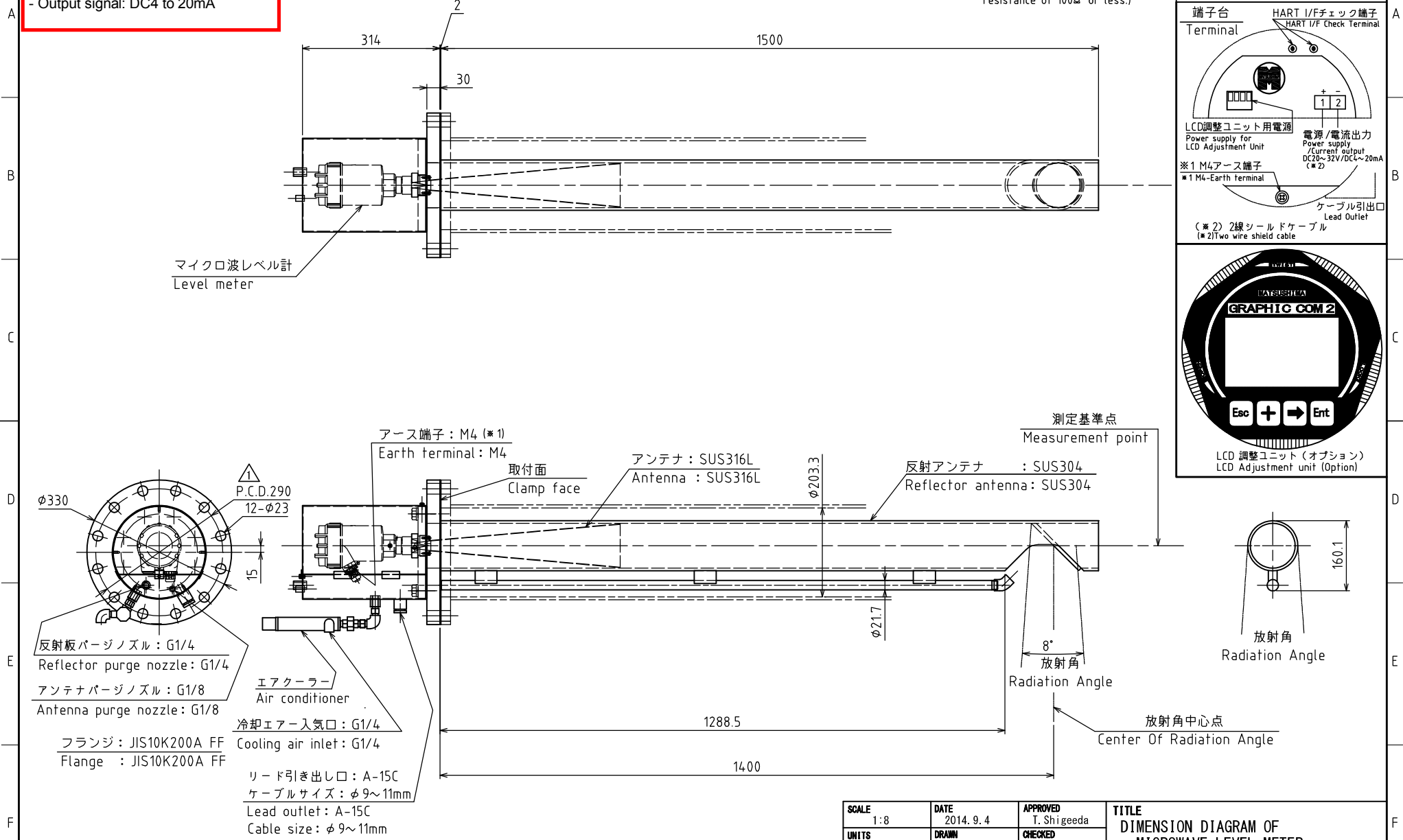


- Type: MWLM-PR26H7GM
- Power supply: DC20 to 30V
- Transmit frequency: approx.26GHz
- Output signal: DC4 to 20mA

(※1必ず接地して下さい。(D種接地)  
Please insure connection to earth.  
(D-class grounding with ground  
resistance of 100Ω or less.)

REV. No.	△	REV. DATE	Sep. 22, 2014
REVISED	D. Terumoto	APPROVED	T. Iwamoto
REMARKS			
誤記訂正/Error Correction			
端子台	HART I/Fチェック端子		
Terminal	HART I/F Check Terminal		
LCD調整ユニット用電源	電源/電流出力		
Power supply for LCD Adjustment Unit	Power supply /Current output		
	DC20~32V/DC4~20mA (※2)		
※1 M4アース端子	※2		
※1 M4-Earth terminal	Lead Outlet		
	ケーブル引出口		
	Lead Outlet		
(※2) 2線シールドケーブル	(※2) Two wire shield cable		
LCD調整ユニット(オプション)			
LCD Adjustment unit (Option)			



重量: 約45kg  
Mass: Approx.45kg

SCALE	DATE	APPROVED	TITLE
1:8	2014. 9. 4	T. Shigeeda	
UNITS	DRAWN	CHECKED	DRAWING NO.
mm	D. Terumoto	T. Iwamoto	
			REV. No.
			△