

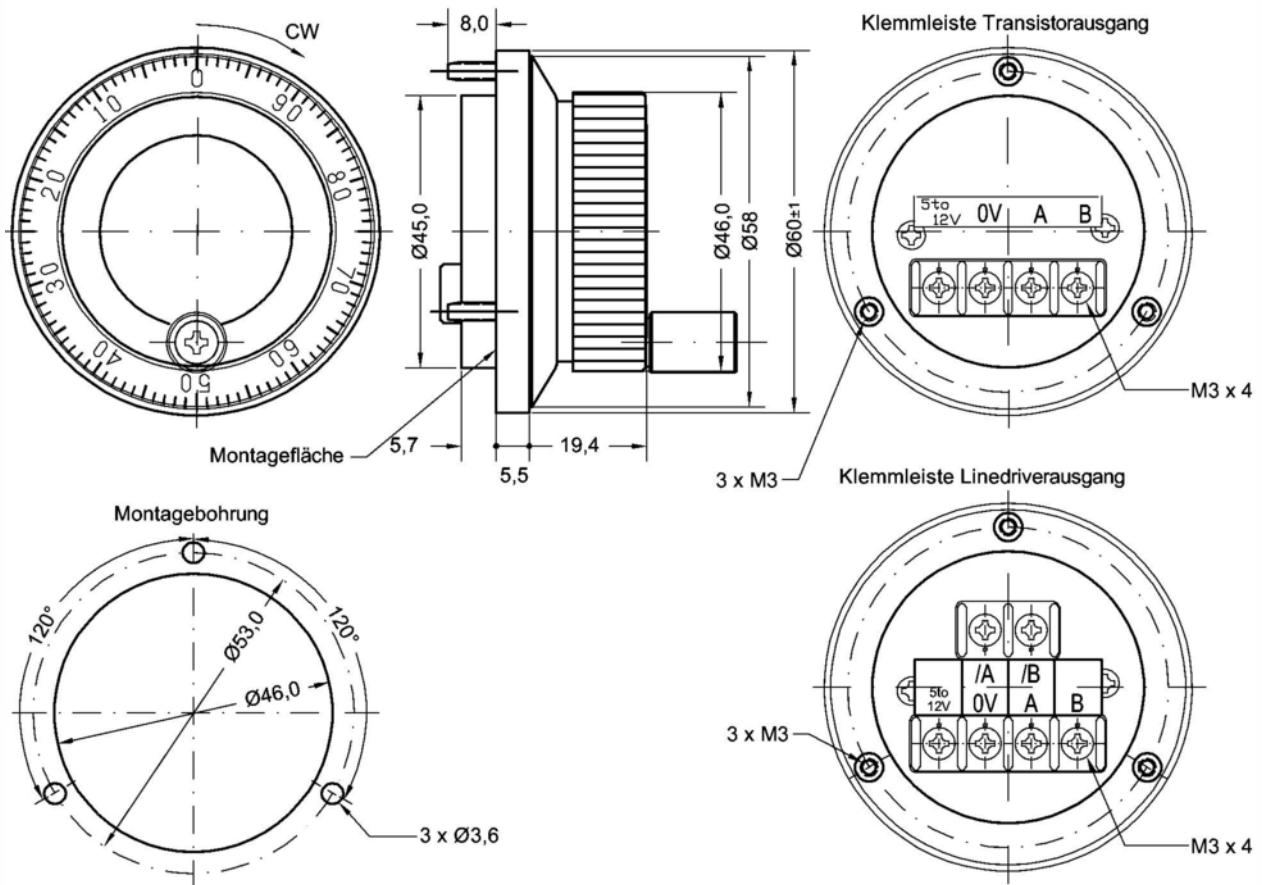
## Series MHU60 / Optoelectronic, Manual Encoder

- Knob diameter 60 mm
- Low installation depth (10 mm)
- High grade click mechanism
- Transistor or linedriver output
- New: Optional protection class IP64 for panel mounting
- Well priced
- Standard types from stock

The manual encoder MHU60 is with its small installation height of 10 mm very space saving. Due to high volume production the product is characterised by a good price/performance ratio.

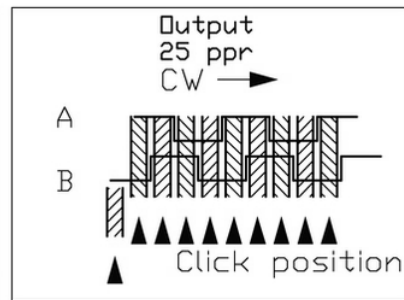
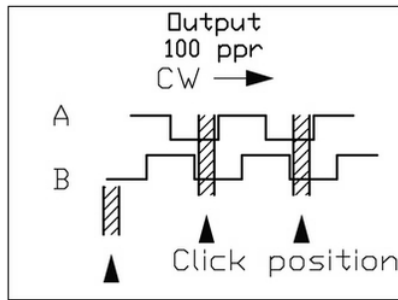
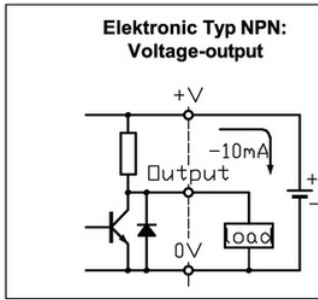


### Drawing



Dimensions in mm

## Interfaces and detent position



## Electrical Data

Output Electronic	NPN	N
Resolution	25, 100 ppr	
Output Channels	A, B	
Limit Frequency	5 kHz	
Supply Voltage	5-12 V $\pm$ 10%	5 V $\pm$ 5%
Supply Current	50 mA	150 mA
High Pegel	Supply -1 V	> 2,5 V
Low Pegel	< 0,5 V	
Max. Output Current	20 mA	

## Mechanical Data

Rotational Life	10 Mio. rev.
Maximum Rotational Speed	200 rpm (600 rpm short-term)
Operational Torque	2,9 - 5,9 Ncm
Mechanical clicks	100 clicks (25 and 100 pulses)

# Series MHU60 / Optoelectronic, Manual Encoder

## Other Data

Protection Class	IP40 IP64 from panel side
Operating Temperature	-10 ... + 60 °C
Storage Temperature	-20 ... + 70 °C
Vibration	10-55 Hz / 1,5 mm 2h
Shock	490 m/s/ 11 ms X ,Y, Z 3 times
Bearing	Sleeve Bearing
Housing Material	Plastic
Shaft Material	Brass
Disc Material	Thermoplastic
Weight	200 g

## Options and Order Description

Series	<b>MHU60</b>					
25 ppr.		25 (*)				
100 ppr.		100				
<u>Output Electronic</u>						
VSUP: 5-12V; NPN			512		NPN	
VSUP: 4,75-5,25 V; Linedriver			5		N	
Out Signal A+B				B		
<u>Protection Grade</u>						
IP40					-	
IP64 (only available with silver knob)					IP	
<u>Knob Colour</u>						
Silver						Silver
Black						Black

## Our speciality are custom solutions, even for small quantities

Examples: Mounting of gear wheels and other mechanical parts, assembling of cables, connectors and more. Please ask us.

The specifications and information in this datasheet cannot consider all special demands that are caused by the application. Because of this, they are no general description of the properties of the product.

All specifications have been determined at room temperature + 20°C.

11.02.2015 . All specifications are subject to change without notice.