

Handles single & multi-plane swivel movement with positive sealing. Available in 1" through 6" sizes.

BULLETIN 3000A

Special design features :

- **Two rows of widely spaced bearings support heavier loads.**
- **Three-piece design simplifies repair.**
- **Spring energized seals offer leak-tight sealing at all pressures, including vacuum.**
- **Seal can be replaced without removing bearings.**
- **Available in three seal materials that are compatible with many gasses, fluids & chemicals.**



DEUBLIN Plane Swivel Joints provide 360° movement between piping elements in one or more planes for conveying or transferring a wide range of fluids including oils, water, air, gasses and chemicals.

Available in three types: threaded, welded and flanged to suit your application.

Simple design permits ready installation and fast easy maintenance.

Easy numbering system

BD-5241 0 - 16 - 01

-01	Buna-N Seal	-40°F to +225°F	(-40°C to +107°C)
-02	Teflon® Seal	-20°F to +325°F	(-30°C to +162°C)
-06	Viton Seal	-20°F to +300°F	(-30°C to +150°C)

Size Code	16	24	32	48	64	66
= in inches	1"	1-1/2"	2"	3"	4"	6"
= millimeters	25,4	38,1	50,8	76,2	101,6	152,4

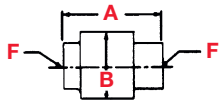
0	Carbon steel
1	Stainless steel (special orders only)

Style of connection and angles

Engineered for Performance

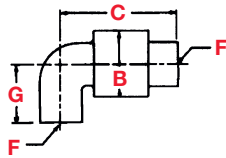
Plane Swivel Joints

DEUBLIN supplies several different styles and sizes to suit your particular application.



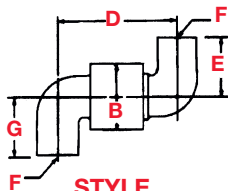
STYLE

Welded end BD-5141
Threaded end BD-5241



STYLE

Welded end BD-5142
Threaded end BD-5242



STYLE

Welded end BD-5143
Threaded end BD-5243

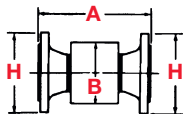
WELDED END STYLE (available in 3" thru 6")

JOINT SIZE	SIZE CODE	A	B	C	D	E	Maximum cold working Pressure psi (Kg/cm ²)
3" 75mm	48	12.88" (327)	5.50" (140)	11.95" (304)	10.88" (276)	3.00" (76)	1000 (70)
4" 100mm	64	13.22" (336)	7.00" (178)	13.22" (336)	13.22" (336)	4.00" (102)	1000 (70)
6" 150mm	66	16.75" (425)	9.00" (229)	18.75" (476)	20.75" (527)	6.00" (152)	750 (53)

THREADED END STYLE (available in 1" - 3")

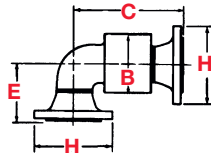
JOINT SIZE	SIZE CODE	A	B	C	D	E	G	* PIPE THREAD F	Maximum cold working Pressure psi (Kg/cm ²)
1" 25mm	16	4.19" (106)	2.50" (64)	4.38" (111)	4.59" (117)	2.50" (64)	2.50" (64)	1" NPT	1250 (88)
1-1/2" 40mm	24	4.62" (117)	3.25" (83)	5.06" (128)	5.50" (140)	3.25" (83)	3.25" (83)	1-1/2" NPT	1000 (70)
2" 50mm	32	5.88" (149)	4.00" (102)	6.81" (173)	7.50" (191)	3.50" (89)	3.69" (94)	2" NPT	1000 (70)
3" 75mm	48	6.88" (175)	5.62" (143)	7.25" (184)	8.40" (213)	4.69" (119)	4.69" (119)	3" NPT	1000 (70)

* also available in BSPT threads



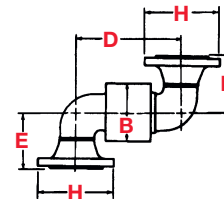
STYLE

BD-5341



STYLE

BD-5342



STYLE

BD-5343

FLANGED END STYLE (available in 3" thru 6")

JOINT SIZE	SIZE CODE	A	B	C	D	E	H	Maximum cold working Pressure psi (Kg/cm ²)
3" 75mm	48	10.38" (264)	5.50" (140)	10.70" (272)	10.95" (278)	5.75" (146)	7.50" (191)	275 (19)
4" 100mm	64	11.22" (285)	7.00" (178)	12.47" (318)	13.22" (336)	7.12" (181)	9.00" (229)	275 (19)
6" 150mm	66	15.75" (400)	9.00" (229)	18.75" (476)	20.75" (527)	9.50" (241)	11.00" (279)	275 (19)

Supplied with ANSI 150 lb.
Flange pressure temperature
ratings for over +100 °F (37.5 °C)
Special flanges available.
Contact DEUBLIN



DEUBLIN Company
2050 Norman Drive
Waukegan, IL 60085-6747 U.S.A.

Phone: +1 847 689-8600

Fax: +1 847 689-8690

E-Mail: customerservice@deublin.com

Handles rotary and angular alignment motion with positive sealing.

BULLETIN 4001

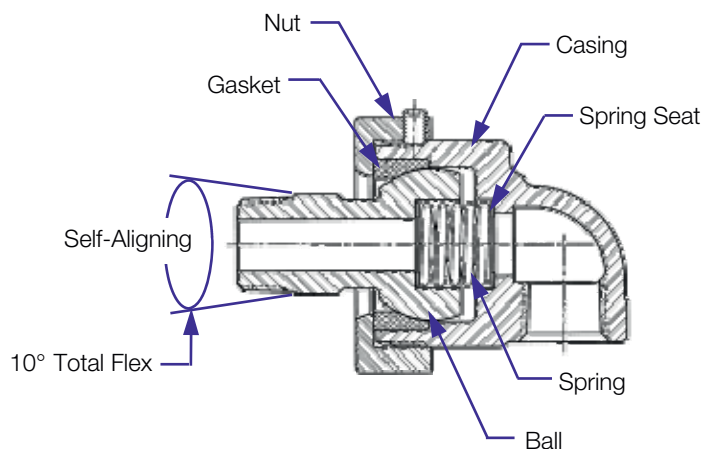
Special design features :

- **10° angular flexibility permits positive positioning of lines.**
- **Outperforms and outlasts flexible hose with lower pressure drops.**
- **Faster and easier piping installation. Fabrications simplified.**
- **Eliminate the hazards of leaking pipe connections or catastrophic hose failures.**
- **Dog-leg arrangements accommodate hinged and lifting motions of presses.**



DEUBLIN is recognized as the pioneer and leader in the development and manufacture of spring-loaded, single-seat Self-Aligning Swivel Joints. These unique products handle 360° rotating and 10° angular movement between machinery and pipe work.

DEUBLIN Self-Aligning Swivel Joints convey hot and cold water, alternating steam and water and heat transfer fluids.



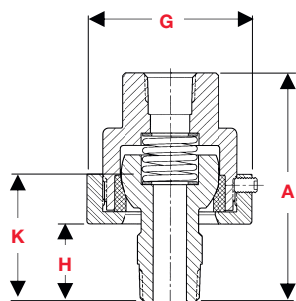
Engineered for Performance

Self-Aligning Swivel Joint

DEUBLIN supplies several different styles and sizes to suit your application.

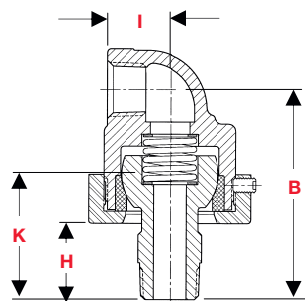
DEUBLIN / STANDARD SERIES

Standard Series Self-Aligning Swivel Joints are built for steam, hot oil, water and alternating steam and water service.



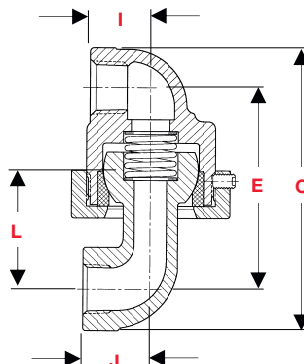
STYLE 7S-8CS

- * BE-32001-xx-xx
- ** BE-32008-xx-xx
- *** BE-33004-xx-xx



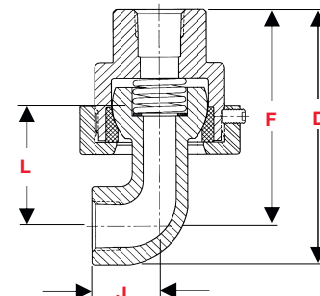
STYLE 7AS-8CS

- * BE-32003-xx-xx
- ** BE-32011-xx-xx
- *** BE-33008-xx-xx



STYLE 7AS-8BS

- * BE-32002-xx-xx
- ** BE-32010-xx-xx
- *** BE-33010-xx-xx



STYLE 7S-8BS

- * BE-32000-xx-xx
- ** BE-32007-xx-xx
- *** BE-33006-xx-xx

- * Basic assembly number—Standard Series, All Bronze, available in 1/2" (13mm) and 3/4" (19mm) sizes. Dimensions located in Table 1.
- ** Basic assembly number—Standard Series, Malleable Iron Casing with Bronze Nut & Ball. Available in 1/2" (13mm) to 1-1/2" (38mm) sizes. Dimensions located in Table 1.
- *** Basic assembly number—Series 600, All Steel, available in 1-1/4" (32mm) and 1-1/2" (38mm) sizes. Dimensions located in Table 2.

TABLE 1 DIMENSIONS / STANDARD SERIES, — inches & mm

JOINT SIZE	SIZE CODE	A	B	C	D	E	F	G	H	I	J	K	L
1/2" 15mm	08	3.38" 86	3.38" 86	4.88" 124	3.66" 93	3.04" 77	3.04" 77	2.58" 66	1.32" 34	.97" 25	1.19" 30	2.22" 56	1.88" 48
3/4" 20mm	12	3.80" 96	3.77" 96	5.26" 134	4.48" 114	3.64" 92	3.67" 93	3.21" 92	1.42" 36	1.19" 30	1.31" 33	2.50" 63	2.37" 60
1" 25mm	16	4.69" 119	4.16" 106	6.00" 152	5.11" 130	4.10" 104	4.63" 118	3.62" 92	1.63" 41	1.50" 38	1.50" 38	2.81" 71	2.75" 70
1-1/4" 32mm	20	4.89" 124	4.70" 119	7.34" 186	6.31" 160	5.06" 129	5.25" 133	3.87" 98	1.59" 40	1.69" 43	1.81" 46	2.80" 71	3.16" 80
1-1/2" 40mm	24	5.56" 141	5.44" 138	7.55" 192	6.36" 162	5.06" 129	5.18" 132	5.00" 127	2.15" 54	2.16" 55	2.31" 59	3.53" 90	3.15" 80

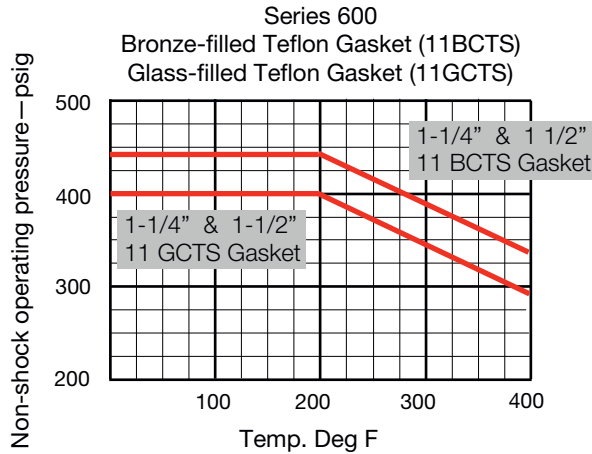
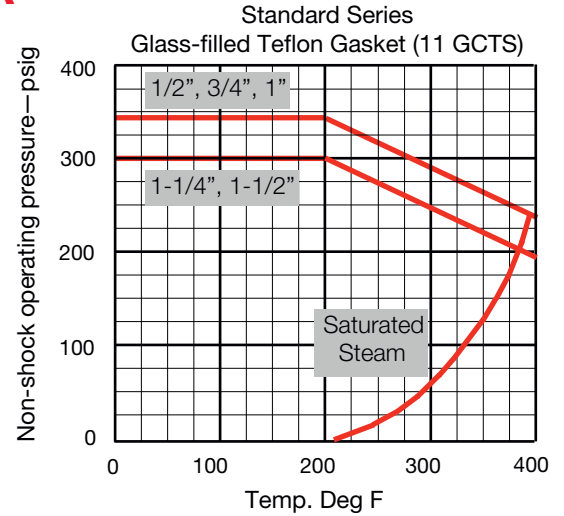
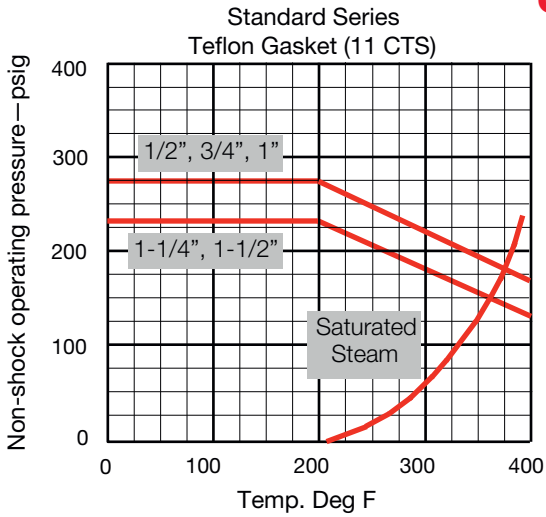
DEUBLIN SERIES 600 / ALL STEEL

Series 600 Self-Aligning Swivel Joints are designed for high-pressure hydraulic service, alternating high-pressure oil and steam. Available in socket weld ends on special request. Contact DEUBLIN.

TABLE 2 DIMENSIONS / 600 SERIES, All STEEL -inches & mm

JOINT SIZE	SIZE CODE	A	B	C	D	E	F	G	H	I	J	K	L
1-1/4" 32mm	20	5.38" 137	5.28" 134	7.53" 191	6.40" 163	5.28" 134	5.34" 136	4.49" 114	1.88" 48	2.03" 52	2.12" 54	3.19" 81	3.18" 81
1-1/2" 40mm	24	6.23" 158	6.19" 157	8.59" 218	7.23" 184	6.03" 153	6.04" 153	5.00" 127	2.25" 57	2.25" 57	2.62" 67	3.88" 99	3.69" 94

OPERATING DATA



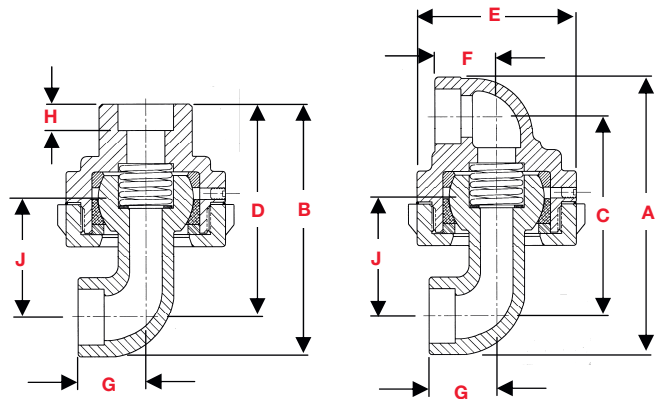
DEUBLIN SERIES 600 / ALL STEEL, INJECTED FLAKED GRAPHITE SEALANT.

Designed for hot oil and high-pressure steam applications.
These joints come standard with socket weld ends.
Available with flanged ends on special request. Contact *DEUBLIN*.

OPERATING DATA

Hot Oil - 200 psig Max. (14 kg/cm²)
446 °F Max. (230 °C)

Steam - 700 psig Max. (49 kg/cm²)
446 °F Max. (230 °C)



STYLE 7S-8BS
BE-43006-xx-41

STYLE 7AS-8BS
BE-43010-xx-41

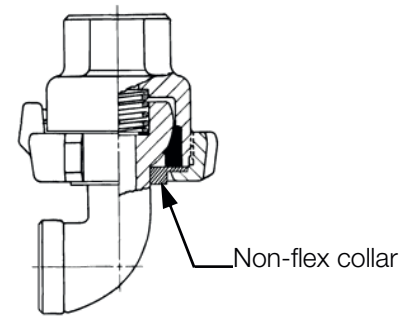
DIMENSIONS / 600 SERIES—ALL STEEL, GRAPHITE INJECTED - inches & mm

JOINT SIZE	SIZE CODE	A	B	C	D	E	F	G	H	J
1-1/4" 32mm	20	7.53" 191	6.41" 163	5.28" 134	5.35" 136	5.00" 127	2.03" 52	2.12" 54	.56" 14	3.19" 81
1-1/2" 40mm	24	8.67" 220	7.60" 193	6.12" 155	6.38" 162	5.00" 127	2.31" 59	2.69" 68	.50" 13	3.81" 97

Self-Aligning Swivel Joint

DEUBLIN "Non-flex" Collar

The "Non-Flex" Type Swivel Joints are available in the same styles, sizes, and materials as standard swivel joints, but a steel split collar is added between the nut and the gasket. The neck of the ball is machined to provide a bearing with this collar. This allows 360° rotation, but eliminates the 10° side flexing. In dogleg, or three-joint assembly, it is recommended that the "Non-Flex" swivel joint be used only at the top anchor point of the assembly. Regular swivel joints at the other two points relieve binding and allow for piping misalignment.



STYLE **N78-8BS**

BE-43506-xx-xx

DEUBLIN easy to follow numbering system

To order DEUBLIN swivel joint, state the complete part number as follows:

First, state the Basic Assembly Number, second, indicate the Size Code, third, add the Gasket Code number.

Easy numbering system

BE-XXXXX – XX – XX

Gasket Code	Gasket Material	Gasket
-23	*Teflon	11CTS
-24	*Glass-filled Teflon	11GCTS
-51	*Bronze-filled Teflon	11BCTS

Size Code	08	12	16	20	24
= in inches	1/2"	3/4"	1"	1-1/4"	1-1/2"
= millimeters	12,7	19,1	25,4	31,8	38,1

Basic Part Number

- BE-32xx - Standard Series
- BE-325xx - Standard Series **with non-flex collar**
- BE-33xx - Series 600, all Steel
- BE-335xx - Series 600, all Steel **with non-flex collar**
- BE-43xx - Series 600, all Steel with injected graphite Seal
- BE-435xx - Series 600, all Steel with injected graphite Seal & **with non-flex collar**

* DuPont trademark



DEUBLIN Company
2050 Norman Drive

Waukegan, IL 60085-6747 U.S.A.

Phone: +1 847 689-8600

Fax: +1 847 689-8690

E-Mail: customerservice@deublin.com