

POSIROT[®]

Magnetic Angle Sensors

PRAS5
Magnetic Angle Sensor

Datasheet



Copyright

© ASM GmbH
Am Bleichbach 18-24
85452 Moosinning
Germany

The information presented in this data sheet does not form part of any quotation or contract, is believed to be accurate and reliable and may be changed without notice. No liability will be accepted by ASM for any consequence of its use. Publication thereof does not convey nor imply any license under patent or industrial or intellectual property rights. Applications that are described herein for any of these products are for illustrative purpose only.

ASM makes no representation or warranty that such applications will be suitable for the specified use without further testing or modification.

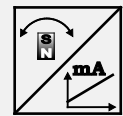
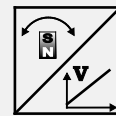
Analog output	4
Specifications	4
Order code	5
Analog output, redundant	6
Specifications	6
Order code	7
Dimensions	8
Contactless, connector M12, axial	8
Contactless, connector M12, radial.....	9
Cable version, contactless	10
With shaft, connector M12, axial	11
With shaft, connector M12, radial	12
Cable version, with shaft	13
Position magnets	14
Output specification	21
Analog output	21
Analog output, redundant	24
Characteristics for magnetic angle sensors	26
Accessories	27
Connector cable M12, 4 pin	27
Connector cable M12, 8 pin	28
Deutsch connector	29

Analog output



Sensor features

- Measurement range 0 ... 360°
- Protection class IP67/IP69, IP68 optional
- Analog output
- Magnetic measurement principle
- With 10 mm shaft or non-contact
- Housing: Stainless steel 1.4404



Specifications

Output	Voltage 0.5 ... 10 V Voltage 0.5 ... 4.5 V Current 4 ... 20 mA, 3 wire
Measurement range	0 ... 15° to 0 ... 360° (in 15° increments)
Resolution	0.03% (60 ... 360°); 0.1% (15 ... 45°)
Repeatability	±0.03% (60 ... 360°); ±0.1% (15 ... 45°)
Linearity	±0.3% f.s. (typical)
Rated distance sensor / magnet	Depending on the position magnet (only version K)
Protection class	IP67/IP69 (connector output with IP67/IP69 connector cable)
Housing material	Stainless steel 1.4404
Mounting	Screws M8
Connection	5-pin connector M12 (compatible to 4-pin connector) Cable, standard length 2 m Cable with Deutsch connector DT04
Temperature range	-40 ... +85°C
Life cycle of bearings (shaft version)	100 x 10 ⁶ revolutions (<1500 r.p.m.)
Revolutions per minute (shaft version)	10.000 r.p.m.
Allowable shaft load (shaft version)	120 N radial / 120 N axial
Shock	DIN EN 60068-2-27:2010, 100 g/11 ms, 100 shocks
Vibration	DIN EN 60068-2-6:2008, 20 g 10 Hz-2 kHz, 10 cycles
Weight	390 g approx., 890 g approx. with shaft (without cable)
EMC	DIN EN 61326-1:2013

Order code

PRAS5 - 1 - 2 - 3 - 4 - 5 - 6

1 Mechanical connection

V = Shaft 10 mm
 K = Non-contact with external magnet

2 Measurement range (0 ... 15° to 0 ... 360°, in 15° increments)

15 / 30 / 45 / ... / 345 / 360

3 Output

U2 = Voltage 0.5 ... 10 V (excitation voltage 18 ... 36 V DC)
 U2B = Voltage 0.5 ... 10 V (excitation voltage 11.5 ... 27 V DC)
 U6 = Voltage 0.5 ... 4.5 V ratiometric (excitation voltage 5 V DC)
 U8 = Voltage 0.5 ... 4.5 V (excitation voltage 11 ... 36 V DC)
 I1 = Current 4 ... 20 mA, 3 wire (excitation voltage 18 ... 36 V DC)
 I1B = Current 4 ... 20 mA, 3 wire (excitation voltage 10 ... 27 V DC)

4 Signal characteristics

CW = Signal increasing CW, clockwise
 CCW = Signal increasing CCW, counterclockwise

5 Connection

M12A5 = 5-pin connector M12 axial (compatible with 4-pin connector)
 M12R5 = 5-pin connector M12 radial (compatible with 4-pin connector)
 KAB2M = Cable, standard length 2 m
 KAB2M-DT04/3P/A* = Cable 2 m with Deutsch connector DT04, 3 pin
 KAB2M-DT04/3P/A-S* = Cable 2 m with Deutsch connector DT04, 3 pin, with protective tube
 KAB2M-DT04/4P/A = Cable 2 m with Deutsch connector DT04, 4 pin
 KAB2M-DT04/4P/A-S = Cable 2 m with Deutsch connector DT04, 4 pin, with protective tube

* only for output U6

6 Housing material

VA = Stainless steel 1.4404

Order example

PRAS5 - V - 360 - I1 - CW - M12A5 - VA

Accessories:

Connector cable (see page 27)

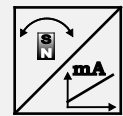
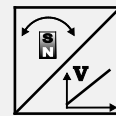
Position magnets (see from page 14)

Analog output, redundant



Sensor features

- Measurement range 0 ... 360°
- Protection class IP67/IP69, IP68 optional
- Analog output, redundant
- Magnetic measurement principle
- With 10 mm shaft or non-contact
- Housing: Stainless steel 1.4404



Specifications

Output	Voltage 0.5 ... 10 V, redundant Voltage 0.5 ... 4.5 V, redundant Current 4 ... 20 mA, 3 wire, redundant
Measurement range	0 ... 15° to 0 ... 360° (in 15° increments)
Resolution	0.03% (60 ... 360°); 0.1% (15 ... 45°)
Repeatability	±0.03% (60 ... 360°); ±0.1% (15 ... 45°)
Linearity	±0.3% f.s. (typical)
Rated distance sensor / magnet	Depending on the position magnet (only version K)
Protection class	IP67/IP69 (connector output with IP67/IP69 connector cable)
Housing material	Stainless steel 1.4404
Mounting	Screws M8
Connection	8-pin connector M12 Cable, standard length 2 m Cable with Deutsch connector DT04
Temperature range	-40 ... +85°C
Life cycle of bearings (shaft version)	100 x 10 ⁶ revolutions (<1500 r.p.m.)
Revolutions per minute (shaft version)	10.000 r.p.m.
Allowable shaft load	120 N radial / 120 N axial
Shock	DIN EN 60068-2-27:2010, 100 g/11 ms, 100 shocks
Vibration	DIN EN 60068-2-6:2008, 20 g 10 Hz-2 kHz, 10 cycles
Weight	390 g approx., 890 g approx. with shaft (without cable)
EMC	DIN EN 61326-1:2013

Order code

PRAS5 - 1 - 2 - 3 - 4 - 5 - 6

1 Mechanical connection

V = Shaft 10 mm
 K = Non-contact with external magnet

2 Measurement range (0 ... 15° to 0 ... 360°, in 15° increments)

15 / 30 / 45 / ... / 345 / 360

3 Output

U2R = Voltage 0.5 ... 10 V, redundant (excitation voltage 18 ... 36 V DC)
 U6R = Voltage 0.5 ... 4.5 V ratiometric, redundant (excitation voltage 5 V DC)
 U8R = Voltage 0.5 ... 4.5 V, redundant (excitation voltage 11 ... 36 V DC)
 I1R = Current 4... 20 mA, 3 wire, redundant (excitation voltage 18 ... 36 V DC)
 (output I1R possible only with CW/CCW signal characteristics)

4 Signal characteristics

CW/CCW = Signal 1 increasing clockwise, signal 2 increasing counterclockwise
 CW/CW* = Signal 1 and signal 2 increasing clockwise
 CCW/CCW* = Signal 1 and signal 2 increasing counterclockwise

* not available with output I1R

5 Connection

M12A8 = 8-pin connector M12 axial
 M12R8 = 8-pin connector M12 radial
 KAB2M = Cable, standard length 2 m
 KAB2M-DT04/6P/A* = Cable 2 m with Deutsch connector DT04, 6 pin
 KAB2M-DT04/6P/A-S* = Cable 2 m with Deutsch connector DT04, 6 pin, with protective tube
 KAB2M-DT04/8P/A = Cable 2 m with Deutsch connector DT04, 8 pin
 KAB2M-DT04/8P/A-S = Cable 2 m with Deutsch connector DT04, 8 pin, with protective tube

* only for output U6R

6 Housing material

VA = Stainless steel 1.4404

Order example

PRAS5 - V - 360 - U2R - CW/CCW - M12R8 - VA

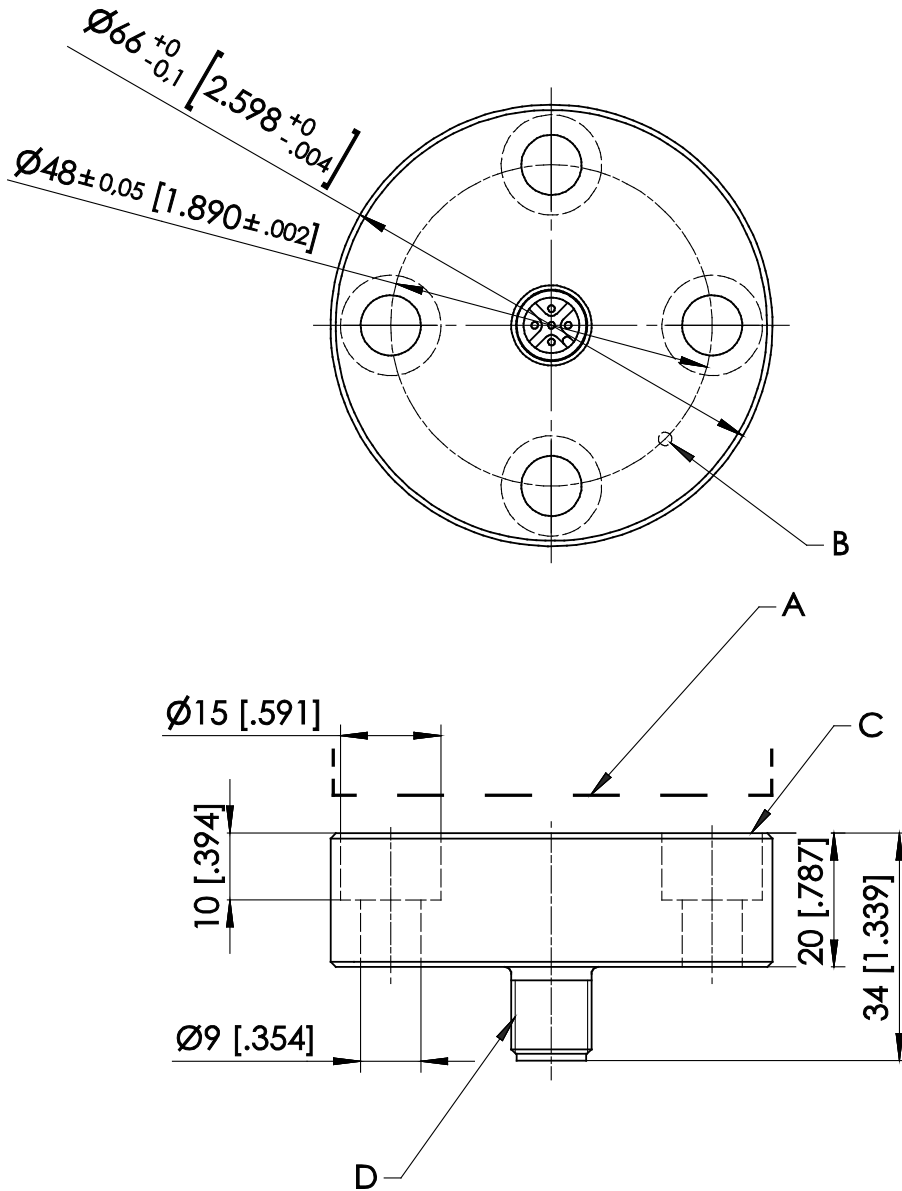
Accessories:

Connector cable (see page 28)

Position magnets (see from page 14)

Dimensions

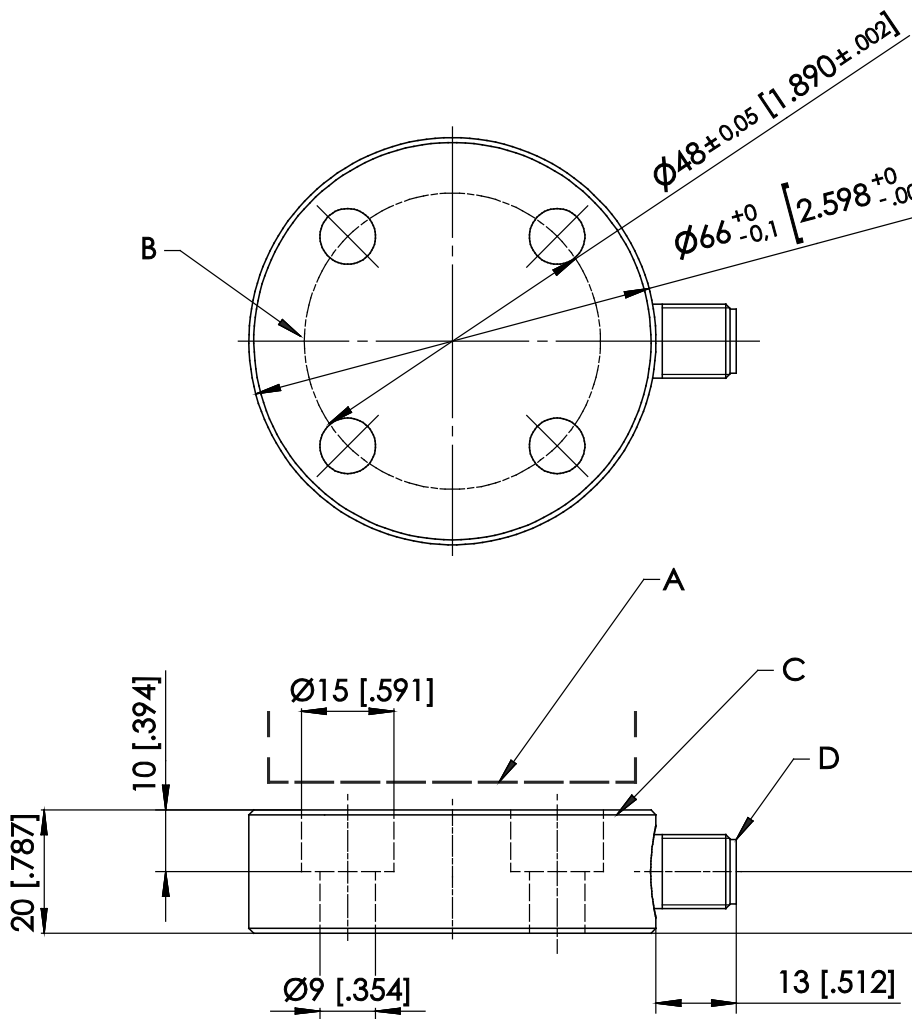
Contactless, connector M12, axial



- A – Position magnet
- B – Marking
- C – Measuring area
- D – Connector M12

Dimensions in mm [inch].
Dimensions informative only.
For guaranteed dimensions consult factory.

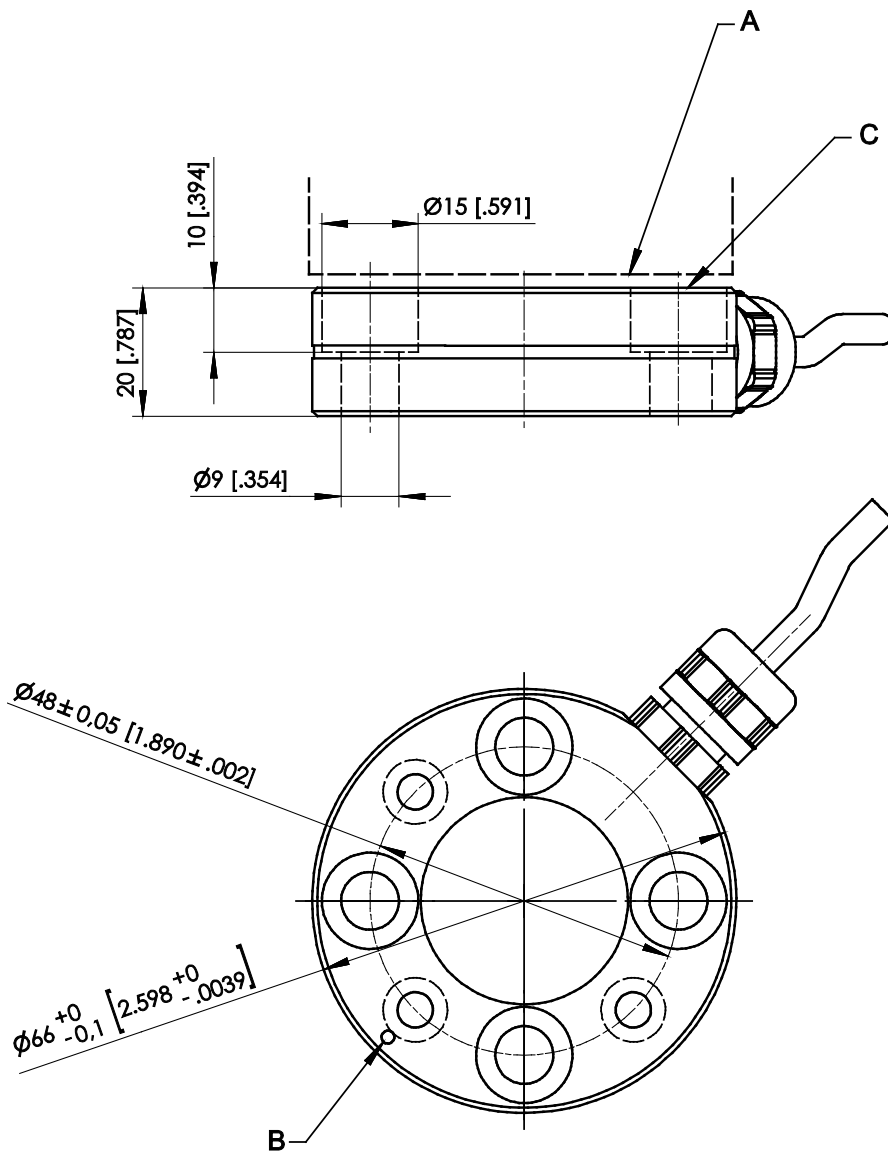
Contactless, connector M12, radial



- A – Position magnet
- B – Marking
- C – Measuring area
- D – Connector M12

Dimensions in mm [inch].
Dimensions informative only.
For guaranteed dimensions consult factory.

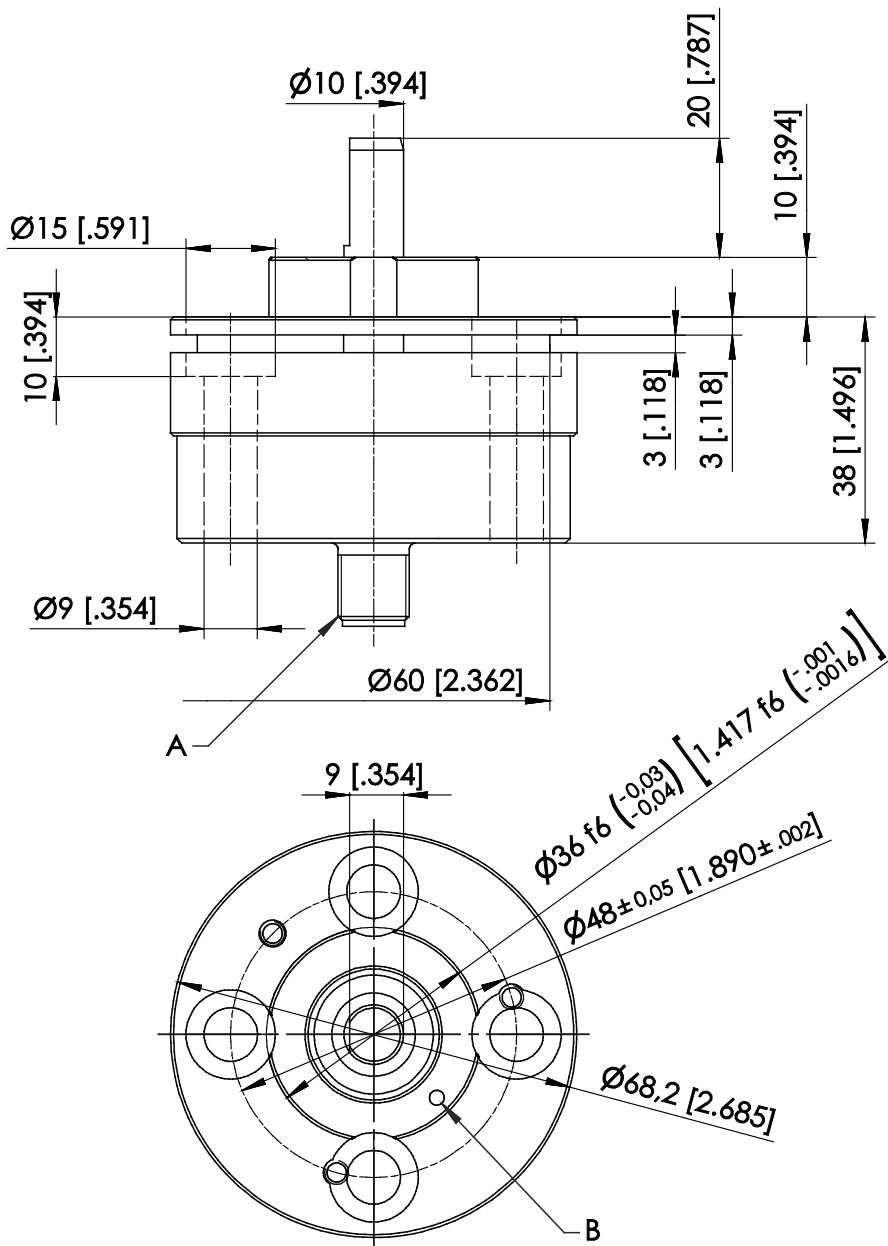
Cable version, contactless



- A – Position magnet
- B – Marking
- C – Measurement area

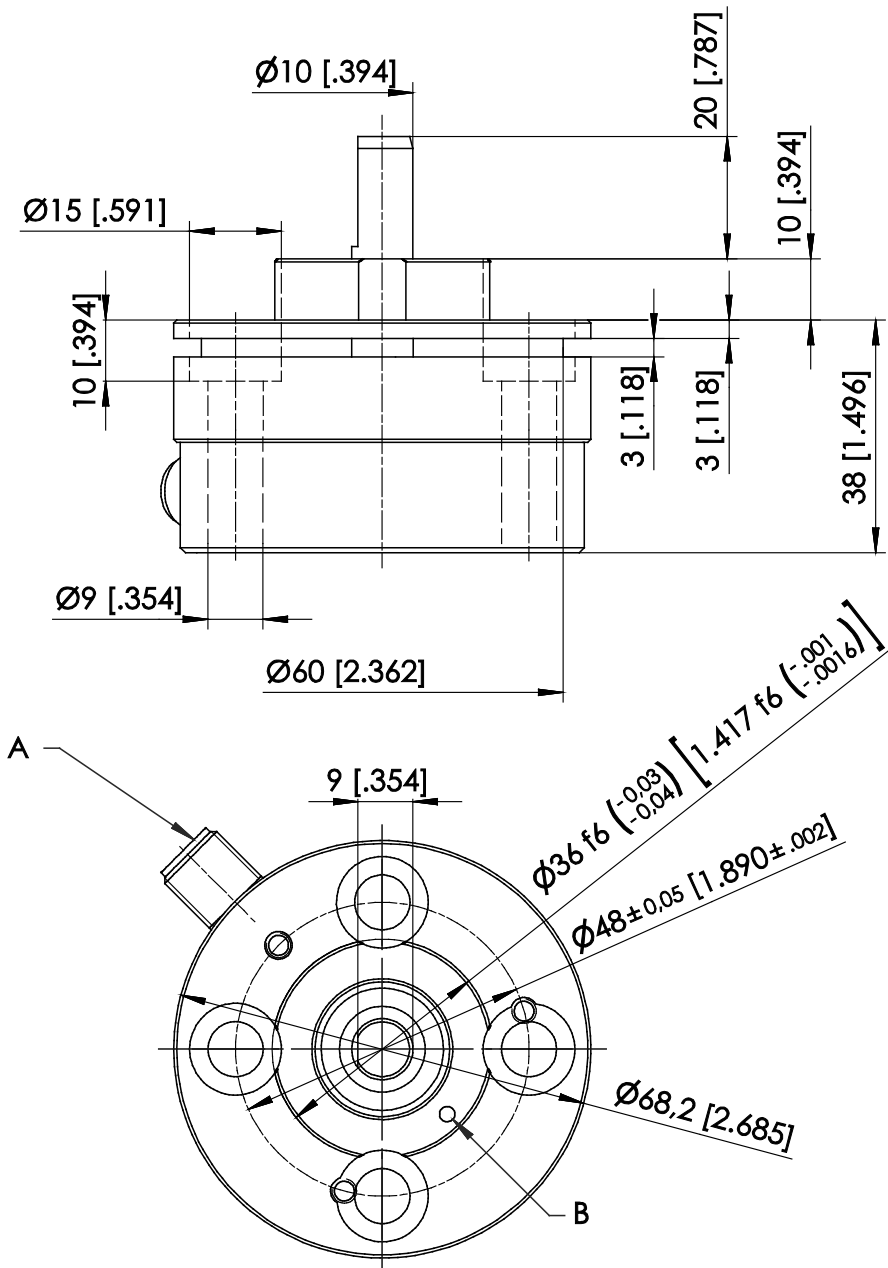
Dimensions in mm [inch].
Dimensions informative only.
For guaranteed dimensions consult factory.

With shaft, connector M12, axial



Dimensions in mm [inch].
Dimensions informative only.
For guaranteed dimensions consult factory.

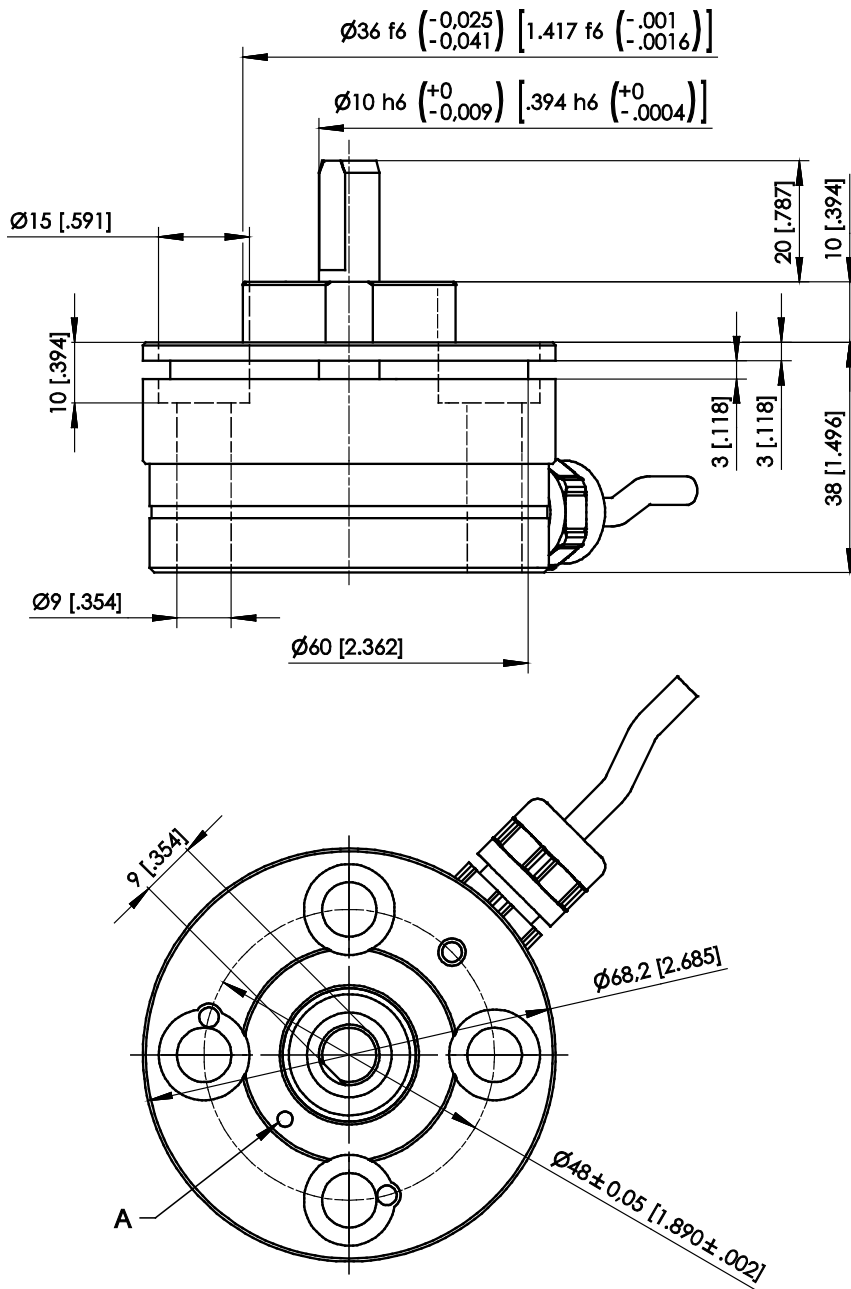
With shaft, connector M12, radial



A – Connector M12
B – Marking

Dimensions in mm [inch].
Dimensions informative only.
For guaranteed dimensions consult factory.

Cable version, with shaft

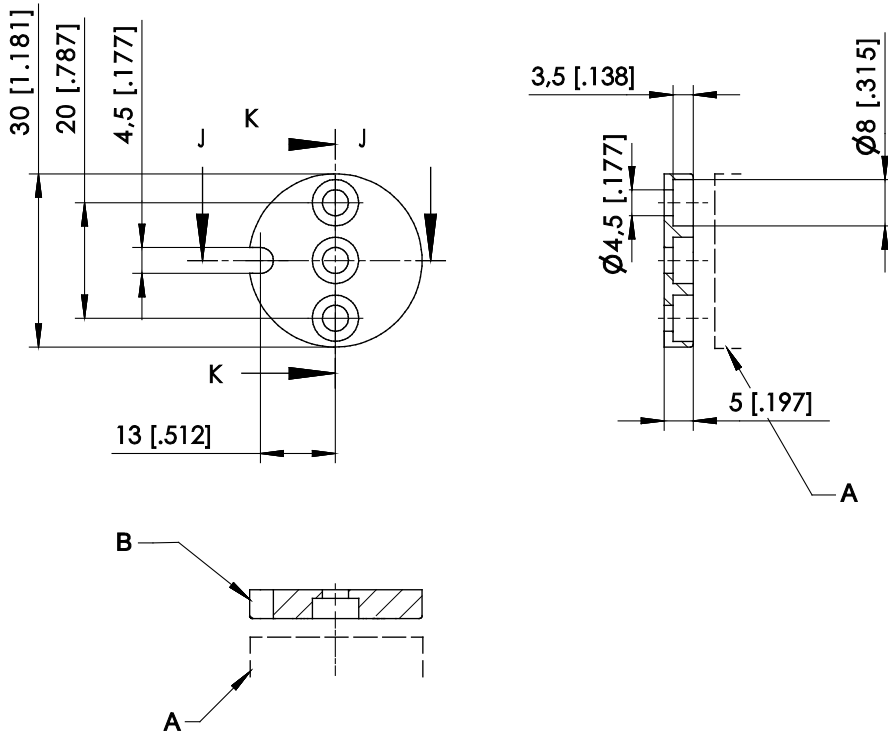


A – Marking

Dimensions in mm [inch].
Dimensions informative only.
For guaranteed dimensions consult factory.

Position magnets

PRMAG20



A – Sensor
B – Marking

Order code	Weight	Material	Moment of inertia
PRMAG20	approx. 12 g	zinc coated steel, plastic	1.3 kgmm ²

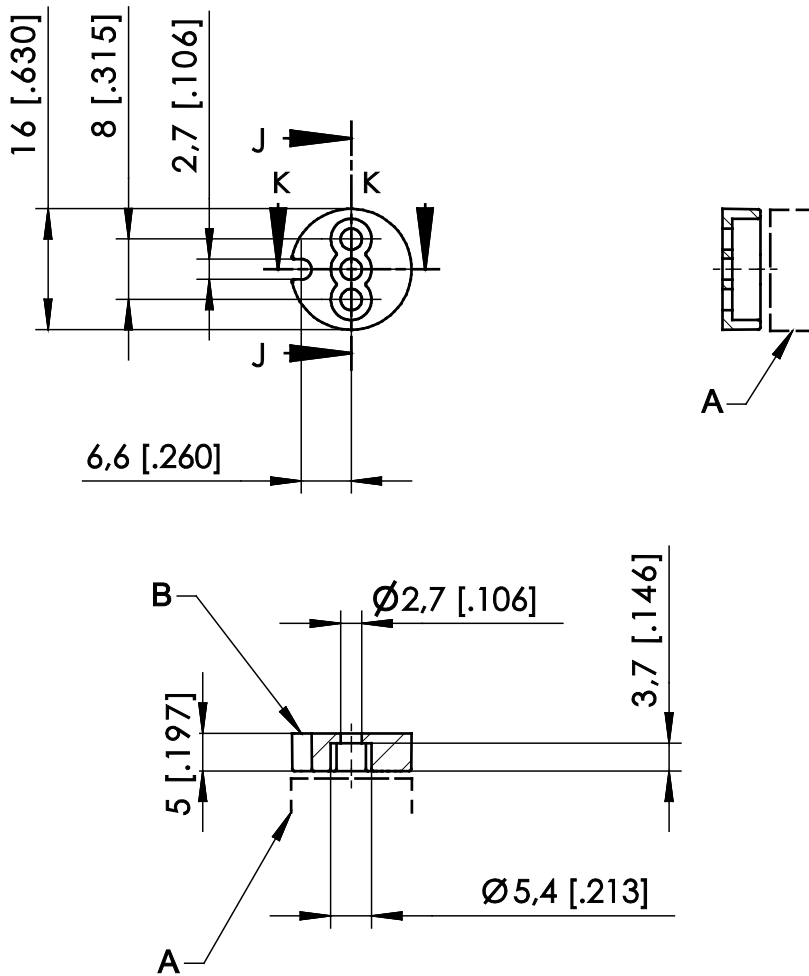
A misalignment of the position magnet has an effect on the linearity.

Dimensions in mm [inch].

Dimensions informative only.

For guaranteed dimensions please consult factory.

PRMAG21



A – Sensor
B – Marking

Order code	Weight	Material	Moment of inertia
PRMAG21	approx. 3 g	zinc coated steel; plastic	0.1 kgmm ²

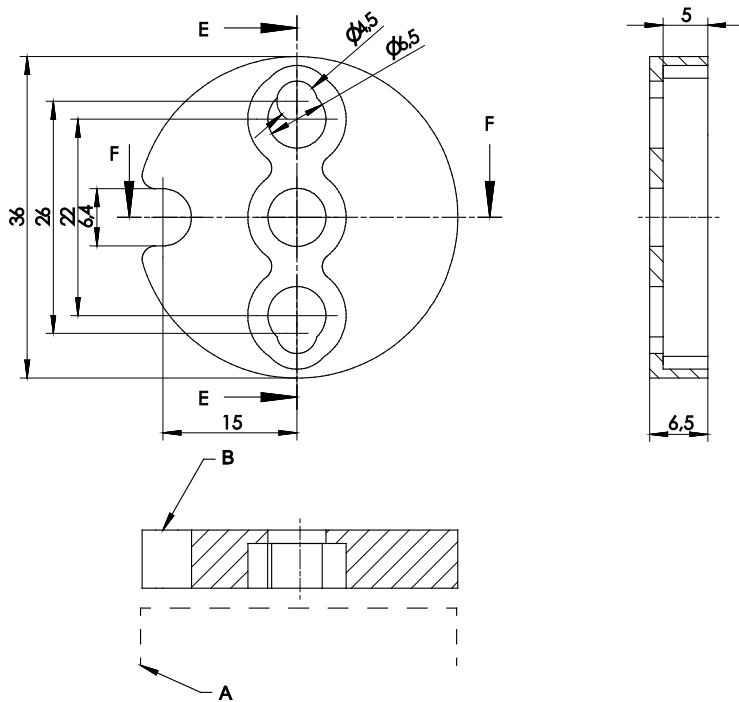
A misalignment of the position magnet has an effect on the linearity.

Dimensions in mm [inch]

Dimensions informative only.

For guaranteed dimensions please consult factory.

PRMAG22



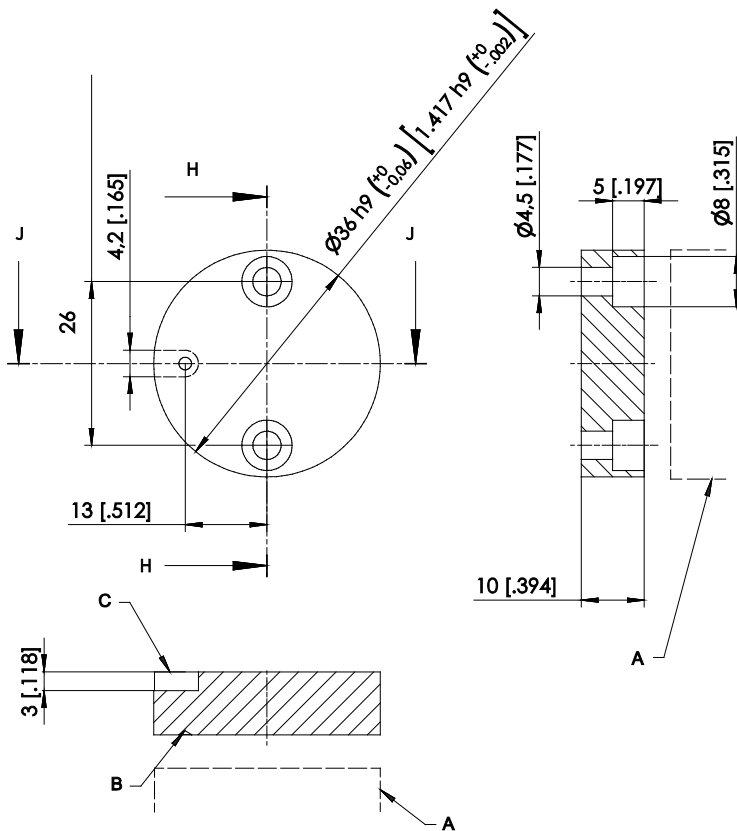
A – Sensor
B – Marking

Order code	Weight	Material	Moment of inertia
PRMAG22	approx. 19 g	zinc coated steel, plastic	3 kgmm ²

A misalignment of the position magnet has an effect on the linearity.

Dimensions in mm [inch].
Dimensions informative only
For guaranteed dimensions please consult factory.

PRMAG2-Z / PRMAG2-Z-VA



A – Sensor
 B – Marking
 C – Notch

Order code	Weight	Material	Moment of inertia
PRMAG2-Z	approx. 30 g	AlMgSi1	4.9 kgmm ²
PRMAG2-Z-VA	approx. 67 g	stainless steel 1.4404	10.9 kgmm ²

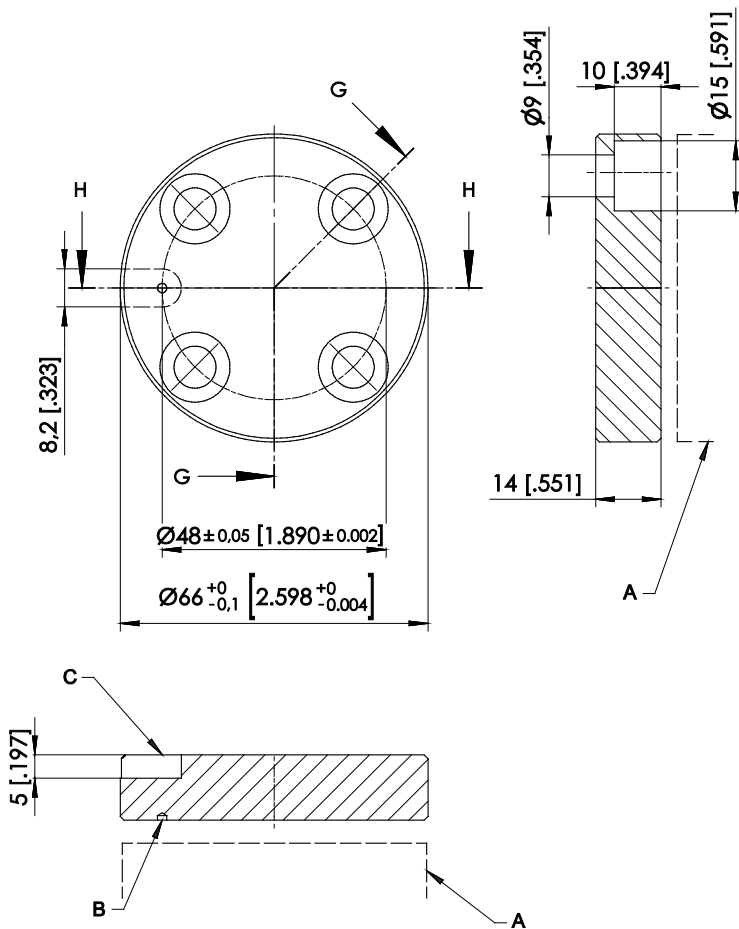
A misalignment of the position magnet has an effect on the linearity.

Dimensions in mm [inch].

Dimensions informative only.

For guaranteed dimensions please consult factory.

PRMAG5-Z / PRMAG5-Z-VA



A – Sensor
B – Marking
C – Notch

Order code	Weight	Material	Moment of inertia
PRMAG5-Z	approx. 110 g	AlMgSi1	59,9 kgmm ²
PRMAG5-Z-VA	approx. 275 g	stainless steel 1.4404	149,9 kgmm ²

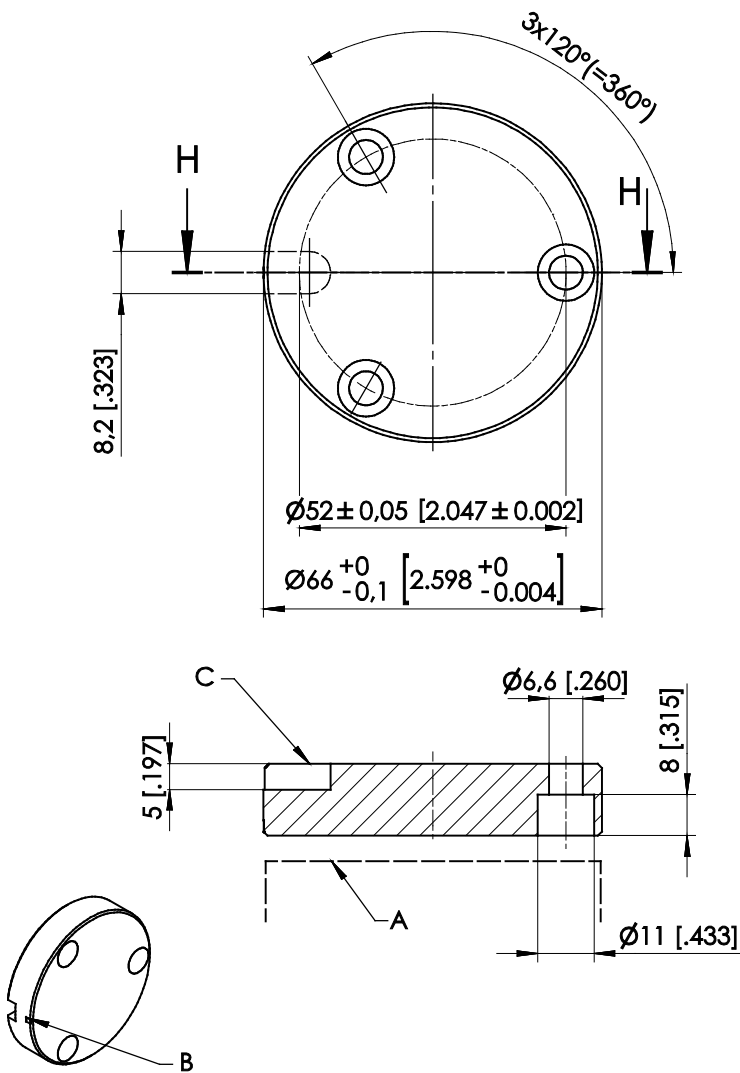
A misalignment of the position magnet has an effect on the linearity.

Dimensions in mm [inch].

Dimensions informative only.

For guaranteed dimensions please consult factory.

PRMAG6-Z / PRMAG6-Z-VA



A – Sensor
B – Marking
C – Notch

Order code	Weight	Material	Moment of inertia
PRMAG6-Z	approx. 110 g	AlMgSi1,	65 kgmm ²
PRMAG6-Z-VA	approx. 315 g	stainless steel 1.4404	190 kgmm ²

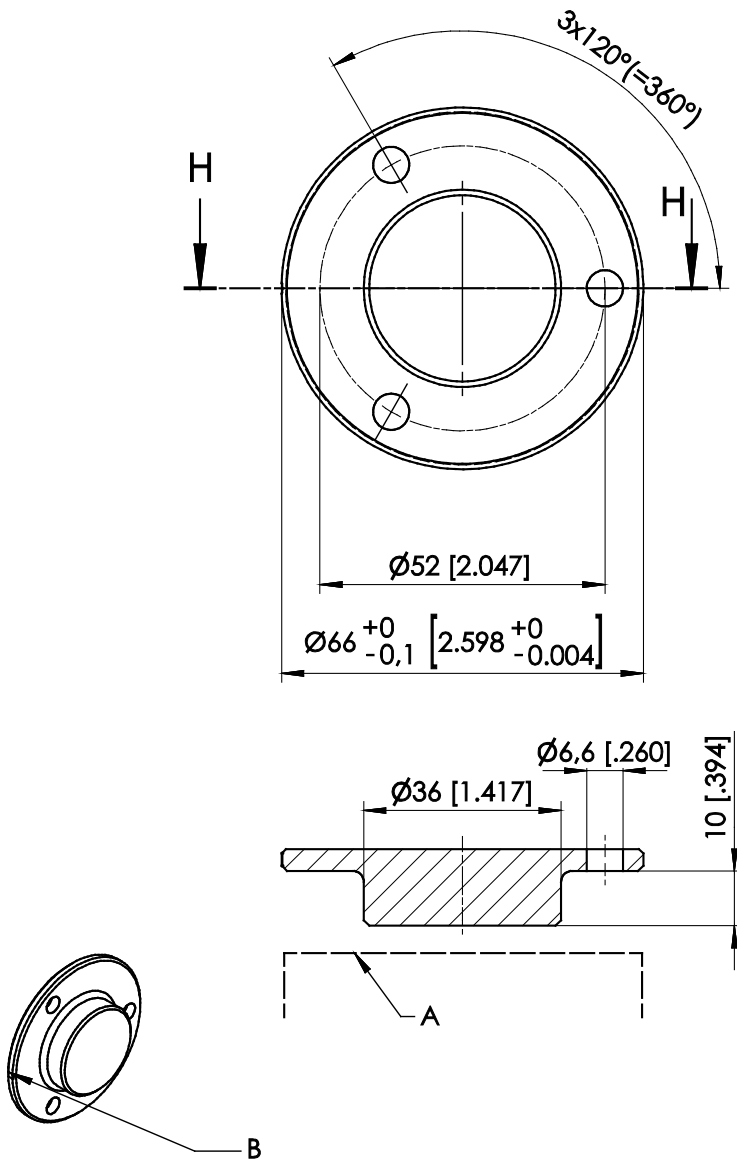
A misalignment of the position magnet has an effect on the linearity.

Dimensions in mm [inch].

Dimensions informative only.

For guaranteed dimensions please consult factory.

PRMAG7-Z-VA



A – Sensor
B – Marking

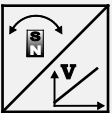
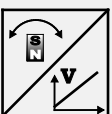
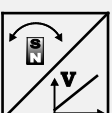
Order code	Weight	Material	Moment of inertia
PRMAG7-Z-VA	approx. 146 g	stainless steel 1.4404	68 kgmm ²

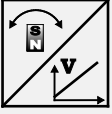
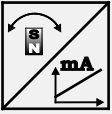
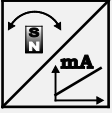
A misalignment of the position magnet has an effect on the linearity.

Dimensions in mm [inch]
Dimensions informative only.
For guaranteed dimensions please consult factory.

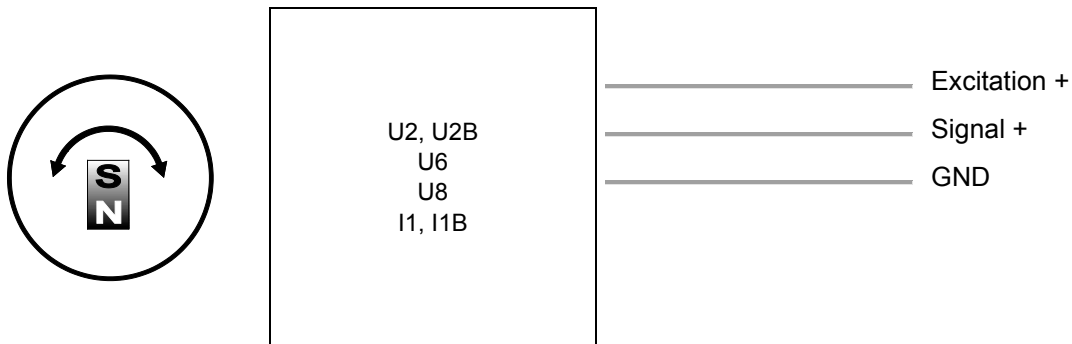
Output specification

Analog output

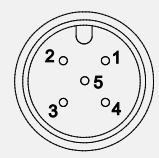
U2 Voltage output 0.5 ... 10 V 	Excitation voltage	18 ... 36 V DC
	Excitation current	typical 10 mA max. 15 mA
	Output voltage	0.5 ... 10 V DC
	Output current	2 mA max.
	Measuring rate	1 kHz standard
	Stability (temperature)	$\pm 50 \times 10^{-6} / ^\circ\text{C}$ f.s. (typical for $90^\circ \dots 360^\circ$) $\pm 100 \times 10^{-6} / ^\circ\text{C}$ f.s. (typical for $<90^\circ$)
	Protection	Reverse polarity, short circuit
	Operating temperature	-40 ... +85 °C
	EMC	DIN EN 61326-1:2013
U2B Voltage output 0.5 ... 10 V 	Excitation voltage	11.5 ... 27 V DC
	Excitation current	typical 12 mA max. 16 mA
	Output voltage	0,5 ... 10 V DC
	Output current	2 mA max.
	Measuring rate	1 kHz standard
	Stability (temperature)	$\pm 50 \times 10^{-6} / ^\circ\text{C}$ f.s. (typical for $90^\circ \dots 360^\circ$) $\pm 100 \times 10^{-6} / ^\circ\text{C}$ f.s. (typical for $<90^\circ$)
	Protection	Reverse polarity, short circuit
	Operating temperature	-40 ... +85 °C
	EMC	DIN EN 61326-1:2013
U6 Voltage output 10 ... 90 % ratiometric 	Excitation voltage	5 V DC $\pm 10\%$
	Excitation current	typical 8 mA max. 12 mA
	Output voltage	10 ... 90 % of the excitation voltage
	Output current	2 mA max.
	Measuring rate	1 kHz standard
	Stability (temperature)	$\pm 50 \times 10^{-6} / ^\circ\text{C}$ f.s. (typical for $90^\circ \dots 360^\circ$) $\pm 100 \times 10^{-6} / ^\circ\text{C}$ f.s. (typical for $<90^\circ$)
	Protection	Reverse polarity, short circuit
	Operating temperature	-40 ... +85 °C
	EMC	DIN EN 61326-1:2013

U8 Voltage output 0.5 ... 4.5 V 	Excitation voltage	11 ... 36 V DC
	Excitation current	typical 10 mA max. 20 mA
	Output voltage	0.5 ... 4.5 V DC
	Output current	2 mA max.
	Measuring rate	1 kHz standard
	Stability (temperature)	$\pm 50 \times 10^{-6} / ^\circ\text{C}$ f.s. (typical for $90^\circ \dots 360^\circ$) $\pm 100 \times 10^{-6} / ^\circ\text{C}$ f.s. (typical for $<90^\circ$)
	Protection	Reverse polarity, short circuit
	Operating temperature	-40 ... +85 °C
	EMC	DIN EN 61326-1:2013
I1 Current output 4 ... 20 mA, 3 wires 	Excitation voltage	18 ... 36 V DC
	Excitation current	typical 30 mA max. 35 mA
	Load R_L	500 Ω max.
	Output current	4 ... 20 mA
	Measuring rate	1 kHz standard
	Stability (temperature)	$\pm 50 \times 10^{-6} / ^\circ\text{C}$ f.s. (typical for $90^\circ \dots 360^\circ$) $\pm 100 \times 10^{-6} / ^\circ\text{C}$ f.s. (typical for $<90^\circ$)
	Protection	Reverse polarity, short circuit
	Operating temperature	-40 ... +85 °C
	EMC	DIN EN 61326-1:2013
I1B Current output 4 ... 20 mA, 3 wires 	Excitation voltage	10 ... 27 V DC
	Excitation current	typical 32 mA max. 36 mA
	Load R_L	250 Ω max.
	Output current	4 ... 20 mA
	Measuring rate	1 kHz standard
	Stability (temperature)	$\pm 50 \times 10^{-6} / ^\circ\text{C}$ f.s. (typical for $90^\circ \dots 360^\circ$) $\pm 100 \times 10^{-6} / ^\circ\text{C}$ f.s. (typical for $<90^\circ$)
	Protection	Reverse polarity, short circuit
	Operating temperature	-40 ... +85 °C
	EMC	DIN EN 61326-1:2013

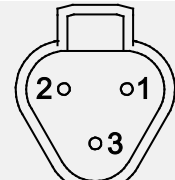
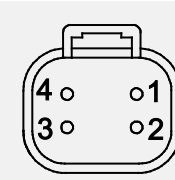
Signal diagram



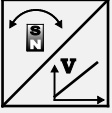
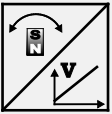
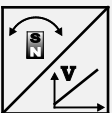
**Signal wiring
(connector and cable output)**

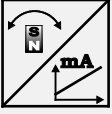
Signal	Connector pin no.	Cable color	View to the sensor connector
Excitation +	1	brown	
Signal	2	white	
GND	3	blue	
Do not connect!	4	black	
Do not connect!	5	grey	

3-wire current 4...20 mA interface: GND has to be connected!

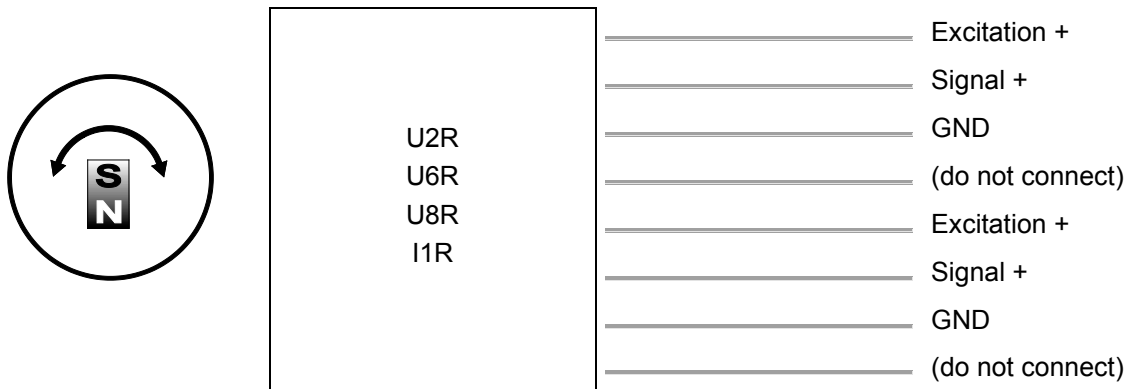
Deutsch connector DT04	 DT04/3P/A	 DT04/4P/A

Analog output, redundant

U2R Voltage output 0.5 ... 10 V 	Excitation voltage	18 ... 36 V DC
	Excitation current	typical 10 mA max. 15 mA per channel
	Output voltage	0.5 ... 10 V DC
	Output current	2 mA max.
	Measuring rate	1 kHz Standard
	Stability (temperature)	$\pm 50 \times 10^{-6} / ^\circ\text{C}$ f.s. (typical for $90^\circ \dots 360^\circ$) $\pm 100 \times 10^{-6} / ^\circ\text{C}$ f.s. (typical for $<90^\circ$)
	Protection	Reverse polarity, short circuit
	Operating temperature	-40 ... +85 °C
	EMC	DIN EN 61326-1:2013
U6R Voltage output 10 ... 90 % ratiometric 	Excitation voltage	5 V DC $\pm 10\%$
	Excitation current	typical 8 mA max. 12 mA per channel
	Output voltage	10 ... 90 % of the excitation voltage
	Output current	2 mA max.
	Measuring rate	1 kHz standard
	Stability (temperature)	$\pm 50 \times 10^{-6} / ^\circ\text{C}$ f.s. (typical for $90^\circ \dots 360^\circ$) $\pm 100 \times 10^{-6} / ^\circ\text{C}$ f.s. (typical for $<90^\circ$)
	Protection	Reverse polarity, short circuit
	Operating temperature	-40 ... +85 °C
	EMC	EN 61326-1:2013
U8R Voltage output 0.5 ... 4.5 V 	Excitation voltage	11 ... 36 V DC
	Excitation current	typical 10 mA max. 20 mA per channel
	Output voltage	0.5 ... 4,5 V DC
	Output current	2 mA max.
	Measuring rate	1 kHz standard
	Stability (temperature)	$\pm 50 \times 10^{-6} / ^\circ\text{C}$ f.s. (typical for $90^\circ \dots 360^\circ$) $\pm 100 \times 10^{-6} / ^\circ\text{C}$ f.s. (typical for $<90^\circ$)
	Protection	Reverse polarity, short circuit
	Operating temperature	-40 ... +85 °C
	EMC	DIN EN 61326-1:2013


I1R Current output 4 ... 20 mA, 3 wires 	Excitation voltage	18 ... 36 V DC
	Excitation current	typical 30 mA max. 35 mA per channel
	Load R _L	500 Ω max.
	Output current	4 ... 20 mA
	Measuring rate	1 kHz standard
	Stability (temperature)	±50 x 10 ⁻⁶ / °C f.s. (typical for 90° ... 360°) ±100 x 10 ⁻⁶ / °C f.s. (typical for <90°)
	Protection	Reverse polarity, short circuit
	Operating temperature	-40 ... +85 °C
	EMC	DIN EN 61326-1:2013

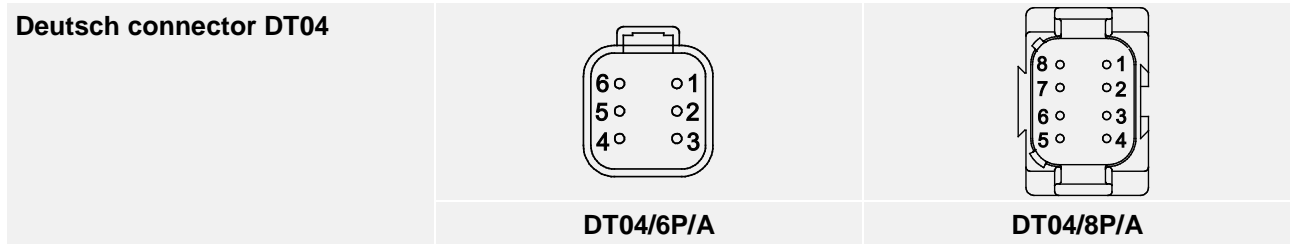
Signal diagram



Signal wiring

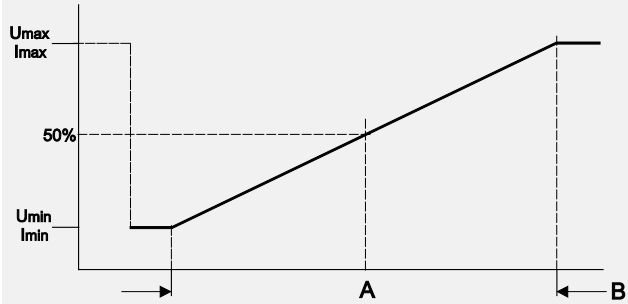
2 channels, redundant (connector and cable output)

Channel	Signal	Connector pin no.	Cable color	View to the sensor connector
1	Excitation +	1	white	
1	Signal	2	brown	
1	GND	3	green	
1	Do not connect!	4	yellow	
2	Excitation +	5	grey	
2	Signal	6	pink	
2	GND	7	blue	
2	Do not connect!	8	red	

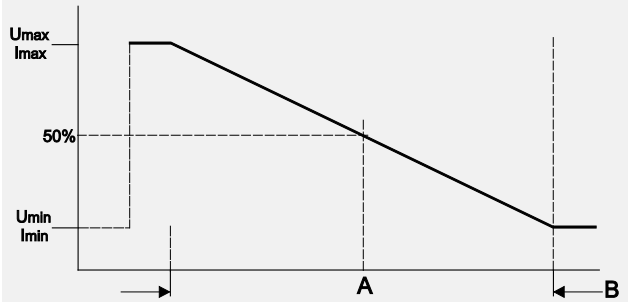


Characteristics for magnetic angle sensors

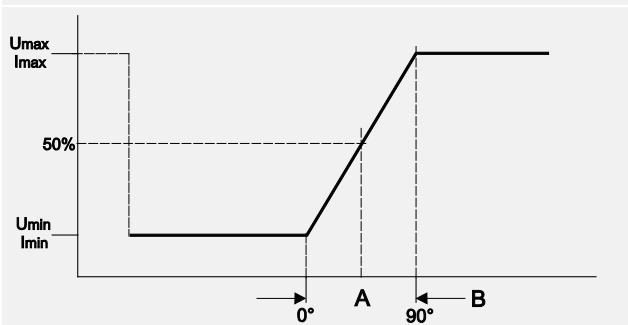
Output signal CW
(clockwise increasing)



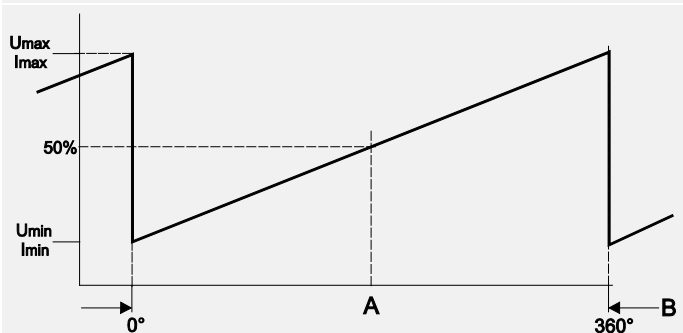
Output signal CCW
(counterclockwise increasing)



Example angular range 90°



Example angular range 360°



A – Marking
B – Measurement range [°]

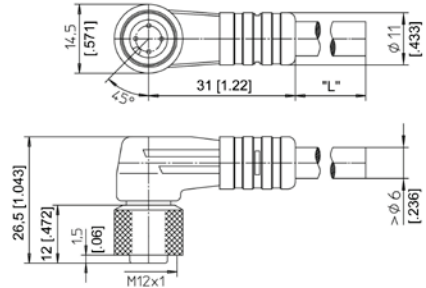
Accessories

Connector cable M12, 4 pin (angular coupling)

shielded connector

Suitable for 5-pin
sensor connectors

The 4-core screened cable is supplied with a mating 4-pin 90° M12 connector at one end and 4 wires at the other end. Available lengths are 2 m, 5 m and 10 m. Wire: cross sectional area 0.34 mm²
Cable diameter: 5.6 ±0.2 mm



Order code

KAB - xM - M12/4F/W - LITZE

IP69: **KAB - xM - M12/4F/W/69K - LITZE**

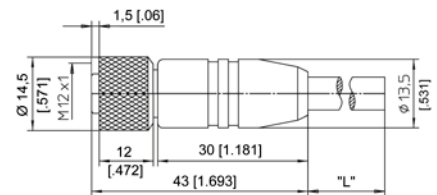
xM = length in m

Connector cable M12, 4 pin (straight coupling)

shielded connector

Suitable for 5-pin
sensor connectors

The 4-core screened cable is supplied with a mating 4-pin M12 connector at one end and 4 wires at the other end. Available lengths are 2 m, 5 m and 10 m. Wire: cross sectional area 0.34 mm²
Cable diameter: 5.6 ±0.2 mm



Order code

KAB - xM - M12/4F/G - LITZE

IP69: **KAB - xM - M12/4F/G/69K - LITZE**

xM = length in m

Signal wiring	Plug connection / cable color			
	M12, 4 pin	1	2	3
	brown	white	blue	black

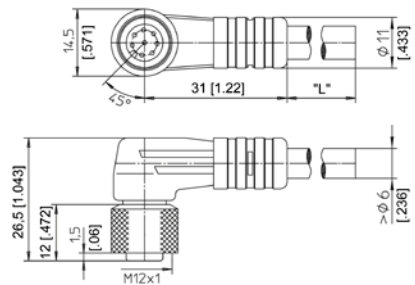
Applicable for cable carriers

Maximum movement speed	3 m/s
Maximum acceleration	5 m/s ²
Minimum bending radius	10 x cable diameter

**Connector cable M12, 8 pin
(angular coupling)**

shielded connector

The 8-lead shielded cable is supplied with a mating 8-pin 90° M12 connector at one end and 8 wires at the other end. Available lengths are 2 m, 5 m and 10 m. Wire: cross sectional area 0.25 mm² Cable diameter: 6.3 ±0.2 mm



Order code

KAB - xM - M12/8F/W - LITZE

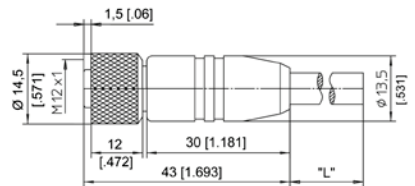
IP69: **KAB - xM - M12/8F/W/69K - LITZE**

xM = length in m

**Connector cable M12, 8 pin
(straight coupling)**

shielded connector

The 8-lead shielded cable is supplied with a mating 8-pin M12 connector at one end and 8 wires at the other end. Available lengths are 2 m, 5 m and 10 m. Wire: cross sectional area 0.25 mm² Cable diameter: 6.3 ±0.2 mm



Order code

KAB - xM - M12/8F/G - LITZE

IP69: **KAB - xM - M12/8F/G/69K - LITZE**

xM = length in m

Signal wiring M12, 8 pin	Plug connection / cable color							
	1	2	3	4	5	6	7	8
	white	brown	green	yellow	grey	pink	blue	red

Applicable for cable carriers

Maximum movement speed	3 m/s
Maximum acceleration	5 m/s ²
Minimum bending radius	10 x cable diameter

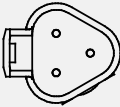
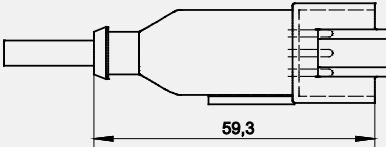
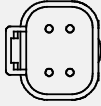
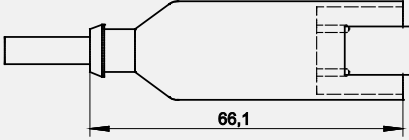
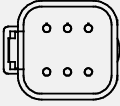
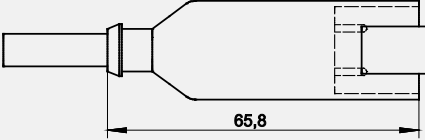
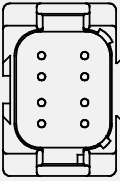
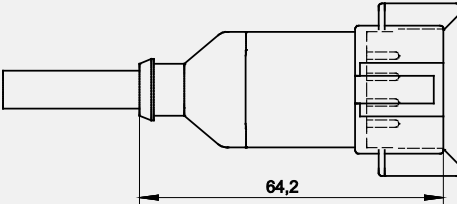
Deutsch connector

Sensors with cable output can be delivered with Deutsch connector.

- Protection class: IP67 (while plugged)
- Connection: 3, 4, 6, 8 poles – depending on output, see table below
- Wire cross sectional area: 0.5 mm²
- Standard cable length: 2 m
- Protective cable tube: for a better mechanical protection the cable can be delivered with a protective tube



Deutsch connector – table

Number of poles	Deutsch connector DT04		Output
3 pin			U6
4 pin			U2, U2B, U8 I1, I1B CANOP(R), CANJ1939(R)
6 pin			U6R RSSI5V RSSI24V
8 pin			U2R, U8R I1R RS5VF, RS24VF HT24VF

POSIROT[®]

Magnetic Angle Encoders

PRDS5
Magnetic Angle Encoder

Datasheet



Copyright

© ASM GmbH
Am Bleichbach 18-24
85452 Moosinning
Germany

The information presented in this data sheet does not form part of any quotation or contract, is believed to be accurate and reliable and may be changed without notice. No liability will be accepted by ASM for any consequence of its use. Publication thereof does not convey nor imply any license under patent or industrial or intellectual property rights. Applications that are described herein for any of these products are for illustrative purpose only.

ASM makes no representation or warranty that such applications will be suitable for the specified use without further testing or modification.

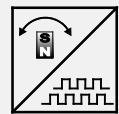
Incremental output	4
Specifications	4
Order code	5
Digital output SSI	6
Specifications	6
Order code	7
Digital output CAN	8
Specifications	8
Order code	9
Dimensions	10
Contactless, connector M12, axial	10
Contactless, connector M12, radial	11
Cable version, contactless	12
With shaft, connector M12, axial	13
With shaft, connector M12, radial	14
Cable version, with shaft	15
Position magnets	16
Output specification	23
Incremental output	23
SSI output	27
Digital output CANopen	29
Digital output CAN SAE J1939	31
Characteristics for magnetic angle sensors	35
Accessories	36
Connector cable M12, 8 pin	36
Connector/bus cable M12, 5 pin CAN-Bus	37
T-connector for bus cable M12, 5 pin CAN-Bus	37
Terminating resistor M12, 5 pin CAN-Bus	37
Deutsch connector	38

Incremental output



Sensor features

- Measurement range 0 ... 360°
- Protection class IP67/IP69, IP68 optional
- Incremental output
- Magnetic measurement principle
- With 10 mm shaft or non-contact with external magnet
- Housing: Stainless steel 1.4404



Specifications

Output	Incremental encoder output RS422-/HTL compatible, filtered output
Measurement range	0 ... 360°
Resolution (pulses per revolution)	25 / 50 / 100 / 200 / 256 / 300 / 400 / 500 / 512 / 1000 / 1024
Linearity	±1% (typical)
Rated distance sensor / magnet	Depending on the position magnet (only version K)
Protection class	IP67/IP69 (connector output with IP67/IP69 connector cable)
Material	Stainless steel 1.4404
Mounting	Screws M8
Connection	8-pin connector M12 Cable, standard length 2 m Cable with Deutsch connector DT04
Temperature range	-40 ... +85°C
Life cycle of bearings (shaft version)	100 x 10 ⁶ revolutions (<1500 r.p.m.)
Revolutions per minute (shaft version)	10.000 r.p.m.
Allowable shaft load	120 N radial / 120 N axial
Shock	DIN EN 60068-2-27:2010, 100 g/11 ms, 100 shocks
Vibration	DIN EN 60068-2-6:2008, 20 g 10 Hz-2 kHz, 10 cycles
Weight	390 g approx., 890 g approx. with shaft (without cable)
EMC	DIN EN 61326-1:2013

Order code

PRDS5 - 1 - 2 - 3 - 4 - 5

1 Mechanical connection

V = Shaft 10 mm
 K = Non-contact with external magnet

2 Resolution

25 / 50 / 100 / 200 / 256 / 300 / 400 / 500 / 512 / 1000 / 1024

3 Output

RS5VF = RS422 compatible output with excitation 5 V DC, filtered output
 RS24VF = RS422 compatible output with excitation 10 ... 36 V, filtered output
 HT24VF = HTL compatible output with excitation 18 ... 36 V, filtered output

4 Connection

M12A8 = 8-pin connector M12, axial
 M12R8 = 8-pin connector M12, radial
 KAB2M = Cable, standard length 2 m
 KAB2M-DT04/8P/A = Cable 2 m with Deutsch connector DT04, 8 pin
 KAB2M-DT04/8P/A-S = Cable 2 m with Deutsch connector DT04, 8 pin, with protective tube

5 Housing material

VA = Stainless steel 1.4404

Order example

PRDS5 - V - 1024 - RS24VF - M12A8 - VA

Accessories:

Connector cable (see page 36)

Position magnets (see from page 16)

Digital output SSI



Sensor features

- Measurement range 0 ... 360°
- Protection class IP67/IP69, IP68 optional
- Digital output SSI
- Magnetic measurement principle
- With 10 mm shaft or non-contact with external magnet
- Housing: Stainless steel 1.4404



Specifications

Output	Synchronous serial SSI
Measurement range	0 ... 360°
Resolution	12 Bit (4096 steps) per revolution
Repeatability	±0.1° (typical)
Linearity	±1% (typical)
Rated distance sensor / magnet	Depending on the position magnet (only version K)
Protection class	IP67/IP69 (connector output with IP67/IP69 connector cable)
Material	Stainless steel 1.4404
Mounting	Screws M8
Temperature range	-40 ... +85°C
Connection	8-pin connector M12 Cable, standard length 2 m Cable with Deutsch connector DT04
Life cycle of bearings (shaft version)	100 x 10 ⁶ revolutions (<1500 r.p.m.)
Revolutions per minute (shaft version)	10.000 r.p.m.
Allowable shaft load	120 N radial / 120 N axial
Shock	DIN EN 60068-2-27:2010, 100 g/11 ms, 100 shocks
Vibration	DIN EN 60068-2-6:2008, 20 g 10 Hz-2 kHz, 10 cycles
Weight	390 g approx., 890 g approx. with shaft (without cable)
EMC	DIN EN 61326-1:2013

Order code

PRDS5 - 1 - 2 - 3 - 4 - 5

1 Mechanical connection

V = Shaft 10 mm
 K = Non-contact with external magnet

2 Output

RSSI5V = Synchronous serial output with excitation 5 V DC
 RSSI24V = Synchronous serial output with excitation 10 ... 36 V

3 Code characteristics

CW = Signal increasing CW, clockwise
 CCW = Signal increasing CCW, counterclockwise

4 Connection

M12A8 = 8-pin connector M12, axial
 M12R8 = 8-pin connector M12, radial
 KAB2M = Cable, standard length 2 m
 KAB2M-DT04/6P/A = Cable 2 m with Deutsch connector DT04, 6 pin
 KAB2M-DT04/6P/A-S = Cable 2 m with Deutsch connector DT04, 6 pin, with protective tube

5 Housing material

VA = Stainless steel 1.4404

Order example

PRDS5 - K - RSSI24V - CW - M12A8 - VA

Accessories:

Connector cable (see page 36)

Position magnets (see from page 16)

Digital output CAN



Sensor features

- Measurement range 0 ... 360°
- Protection class IP67/IP69, IP68 optional
- Digital output CAN
- With 10 mm shaft or non-contact with external magnet
- Housing: Stainless steel 1.4404
- Redundant version available



Specifications

Output	CANopen (CiA 301-V4.02/406-V3.2) CAN SAE J1939
Measurement range	0 ... 360°
Resolution	0.05° max.
Linearity	±1% (typical)
Rated distance sensor / magnet	Depending on the position magnet (only version K)
Protection class	IP67/IP69 (connector output with IP67/IP69 connector cable)
Material	Stainless steel 1.4404
Mounting	Screws M8
Connection	5-pin connector M12 Cable with Deutsch connector DT04
Temperature range	-40 ... +85°C
Life cycle of bearings (shaft version)	100 x 10 ⁶ revolutions (<1500 r.p.m.)
Revolutions per minute (shaft version)	10.000 r.p.m.
Allowable shaft load	120 N radial / 120 N axial
Shock	DIN EN 60068-2-27:2010, 100 g/11 ms, 100 shocks
Vibration	DIN EN 60068-2-6:2008, 20 g 10 Hz-2 kHz, 10 cycles
Weight	390 g approx., 890 g approx. with shaft (without cable)
EMC	DIN EN 61326-1:2013

Order code

PRDS5 - 1 - 2 - 3 - 4

1 Shaft

V = Shaft 10 mm
 K = Non-contact with external magnet

2 Output

CANOP = CANopen
 CANJ1939 = CAN SAE J1939
 CANOPR = CANopen, redundant
 CANJ1939R = CAN SAE J1939, redundant

3 Connection

M12A5/CAN = 5-pin connector M12 axial
 M12R5/CAN = 5-pin connector M12 radial
 KAB0,3M-DT04/4P/A = Cable 0.3 m with Deutsch connector DT04, 4 pin
 KAB0,3M-DT04/4P/A-S = Cable 0.3 m with Deutsch connector DT04, 4 pin, with protective tube

4 Housing material

VA = Stainless steel 1.4404

Order example

PRDS5 - V - CANOP - M12A5/CAN - VA

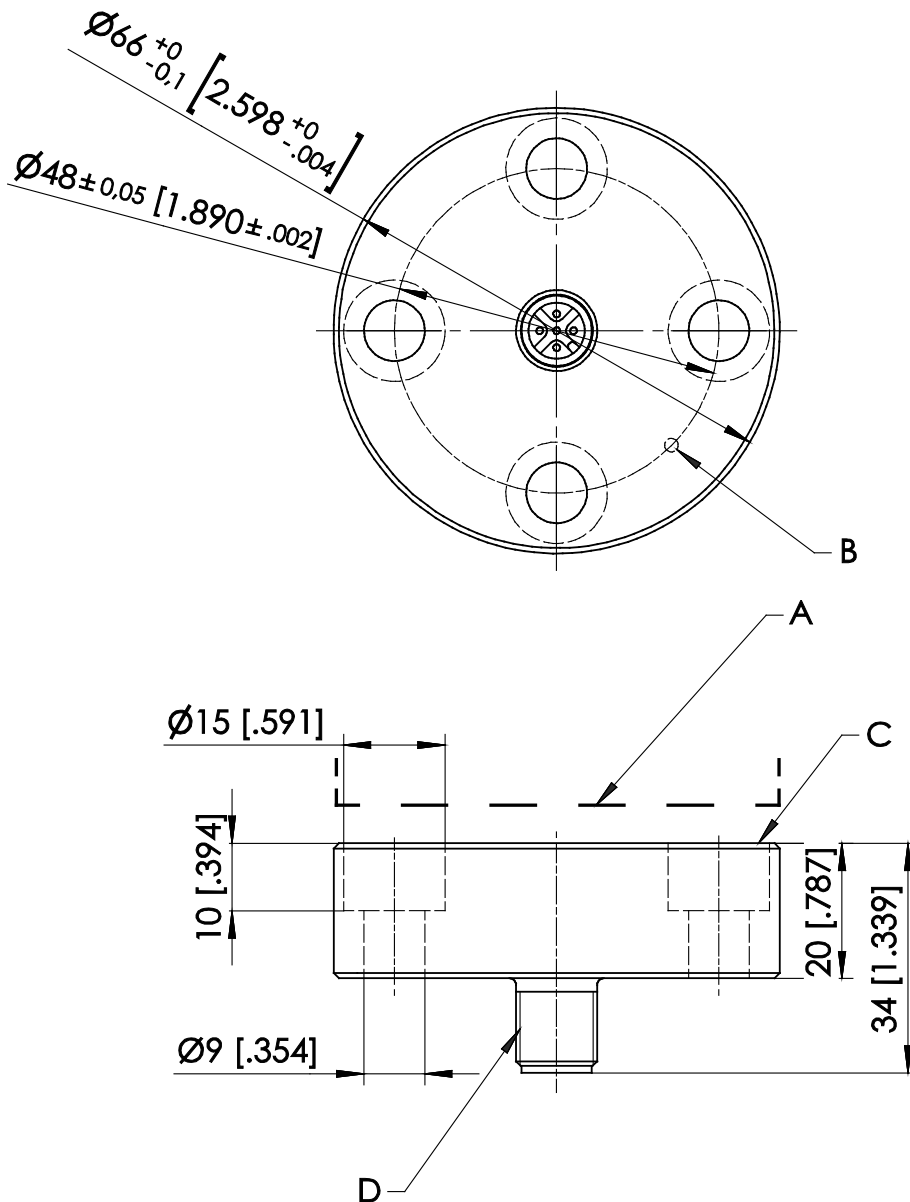
Accessories:

Connector cable (see page 37)

Position magnets (see from page 16)

Dimensions

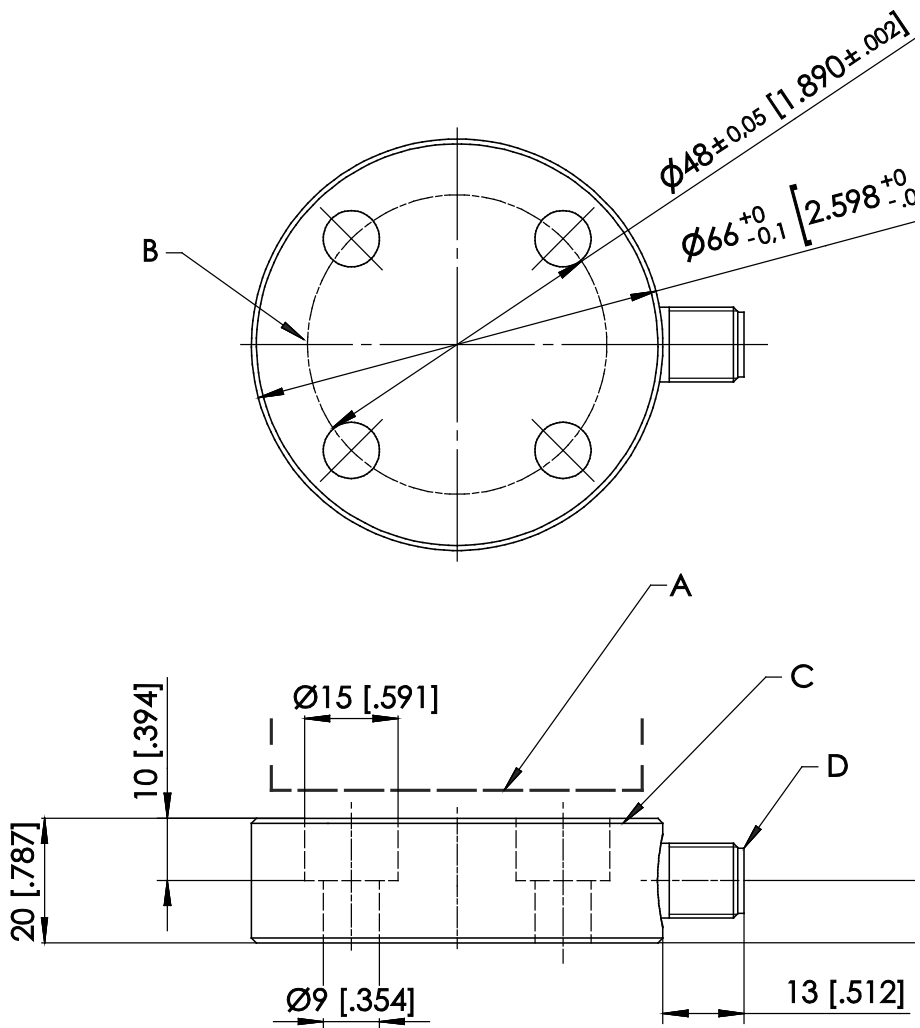
Contactless, connector M12, axial



- A – Position magnet
- B – Marking
- C – Measuring area
- D – Connector M12

Dimensions in mm [inch].
Dimensions informative only.
For guaranteed dimensions consult factory.

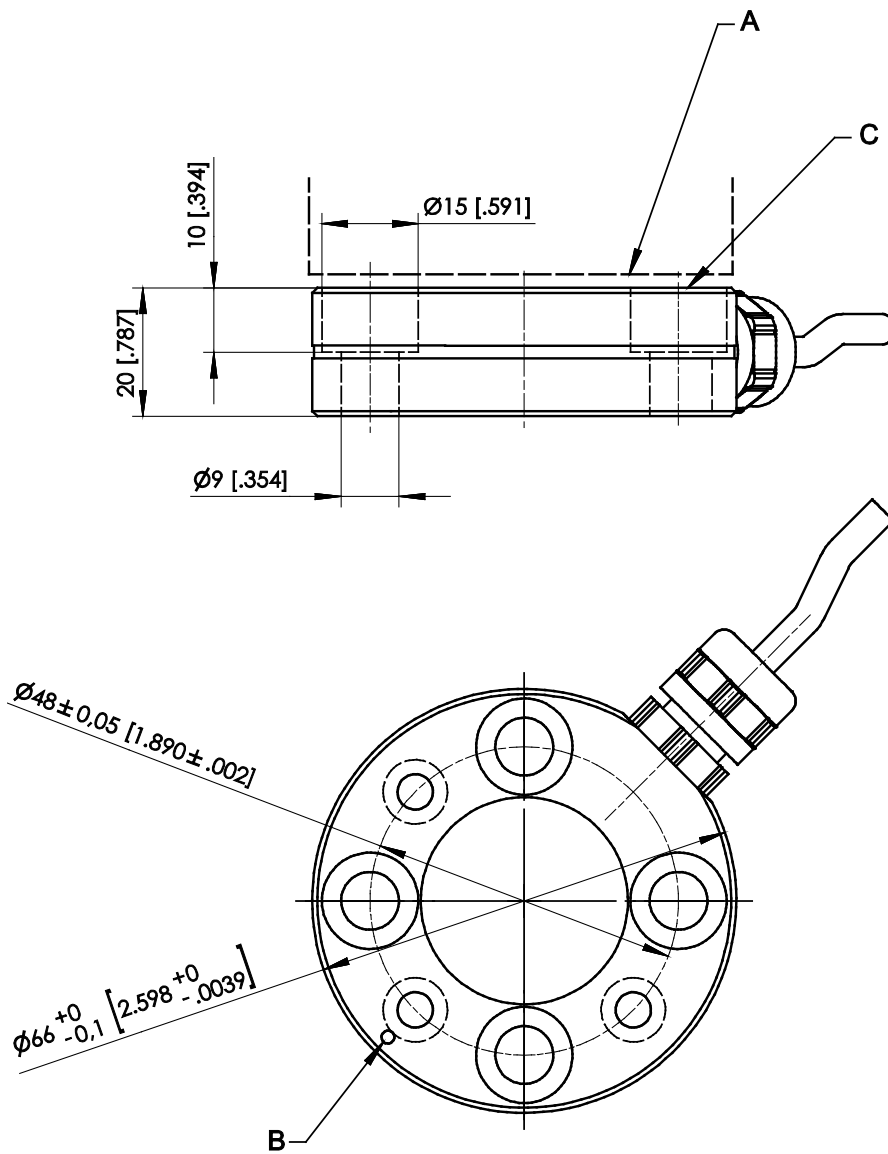
Contactless, connector M12, radial



- A – Position magnet
- B – Marking
- C – Measuring area
- D – Connector M12

Dimensions in mm [inch].
Dimensions informative only.
For guaranteed dimensions consult factory.

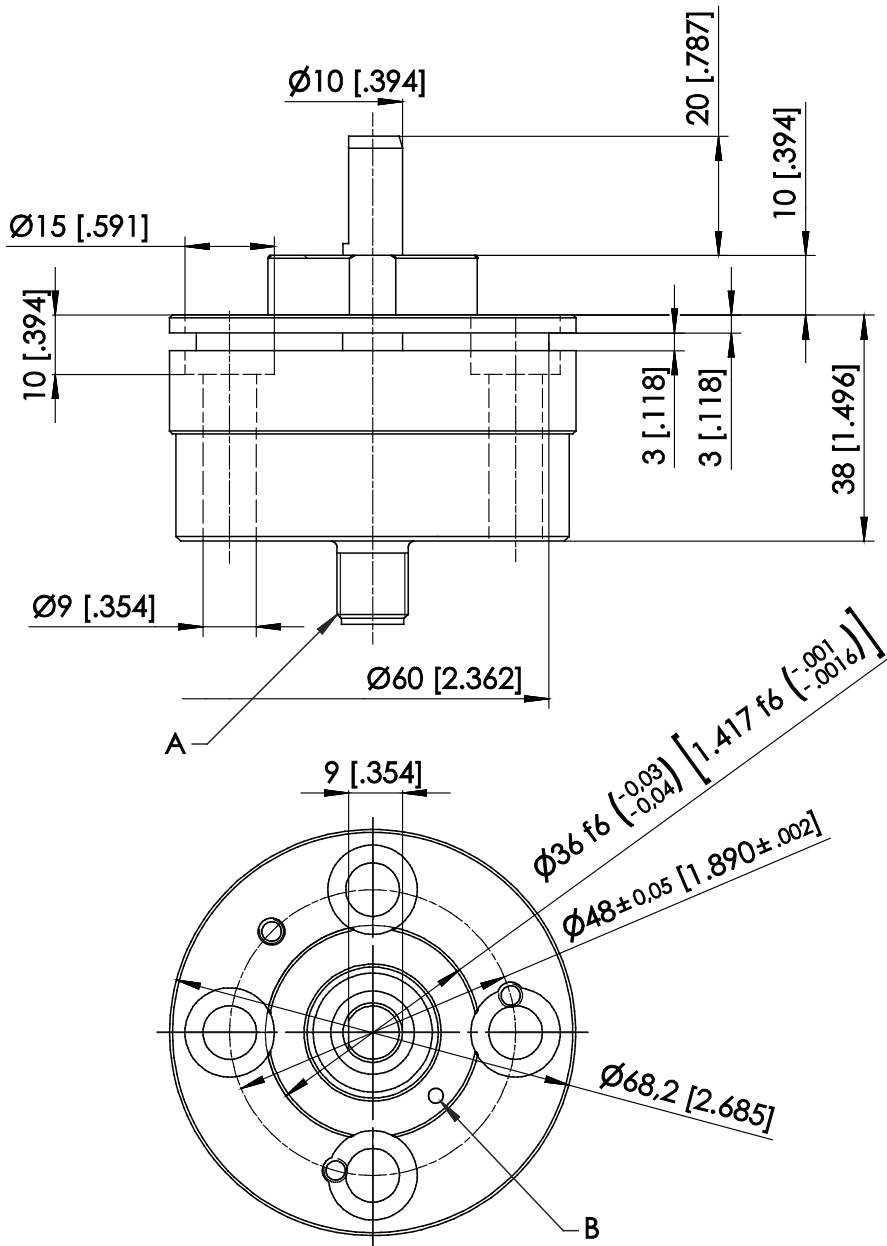
Cable version, contactless



- A – Position magnet
- B – Marking
- C – Measurement area

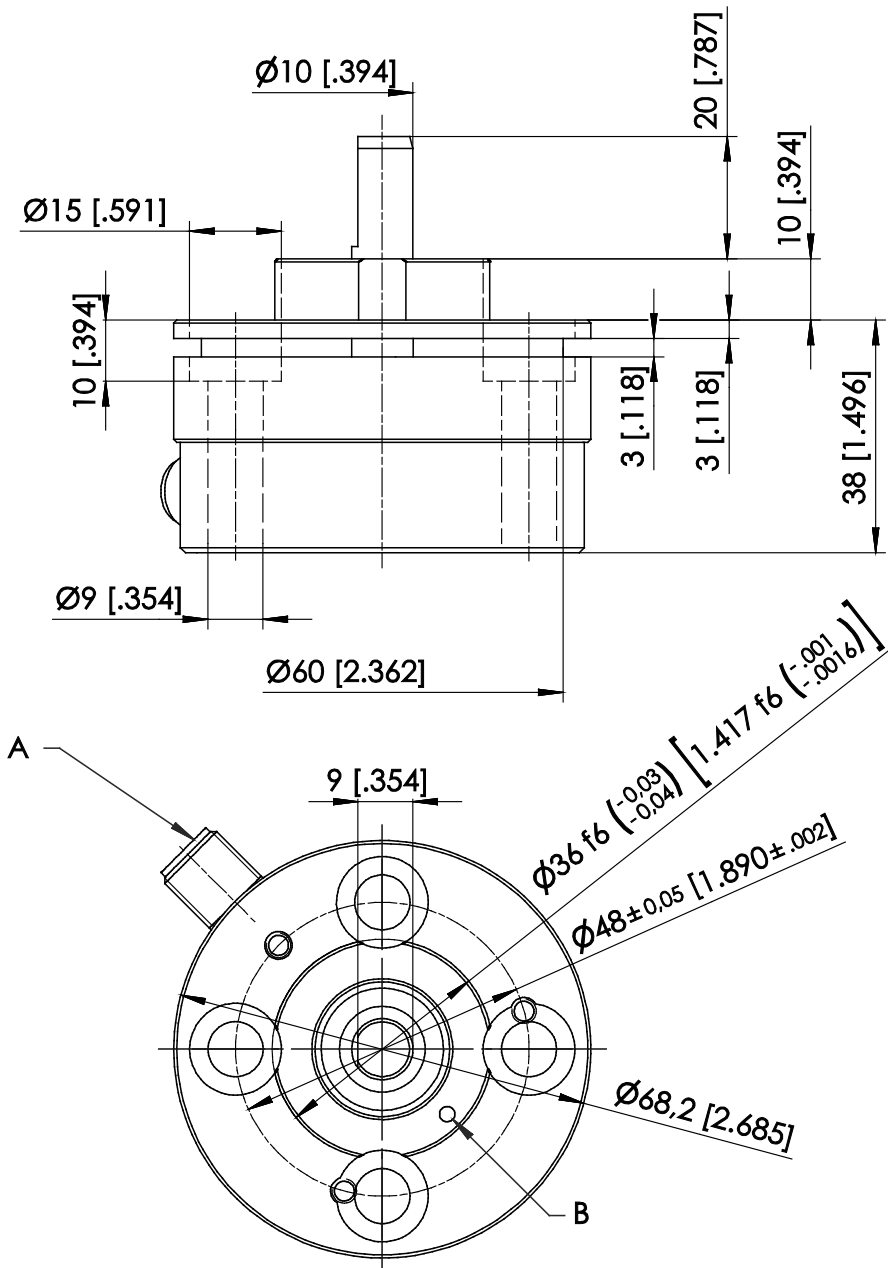
Dimensions in mm [inch].
Dimensions informative only.
For guaranteed dimensions consult factory.

With shaft, connector M12, axial



Dimensions in mm [inch].
Dimensions informative only.
For guaranteed dimensions consult factory.

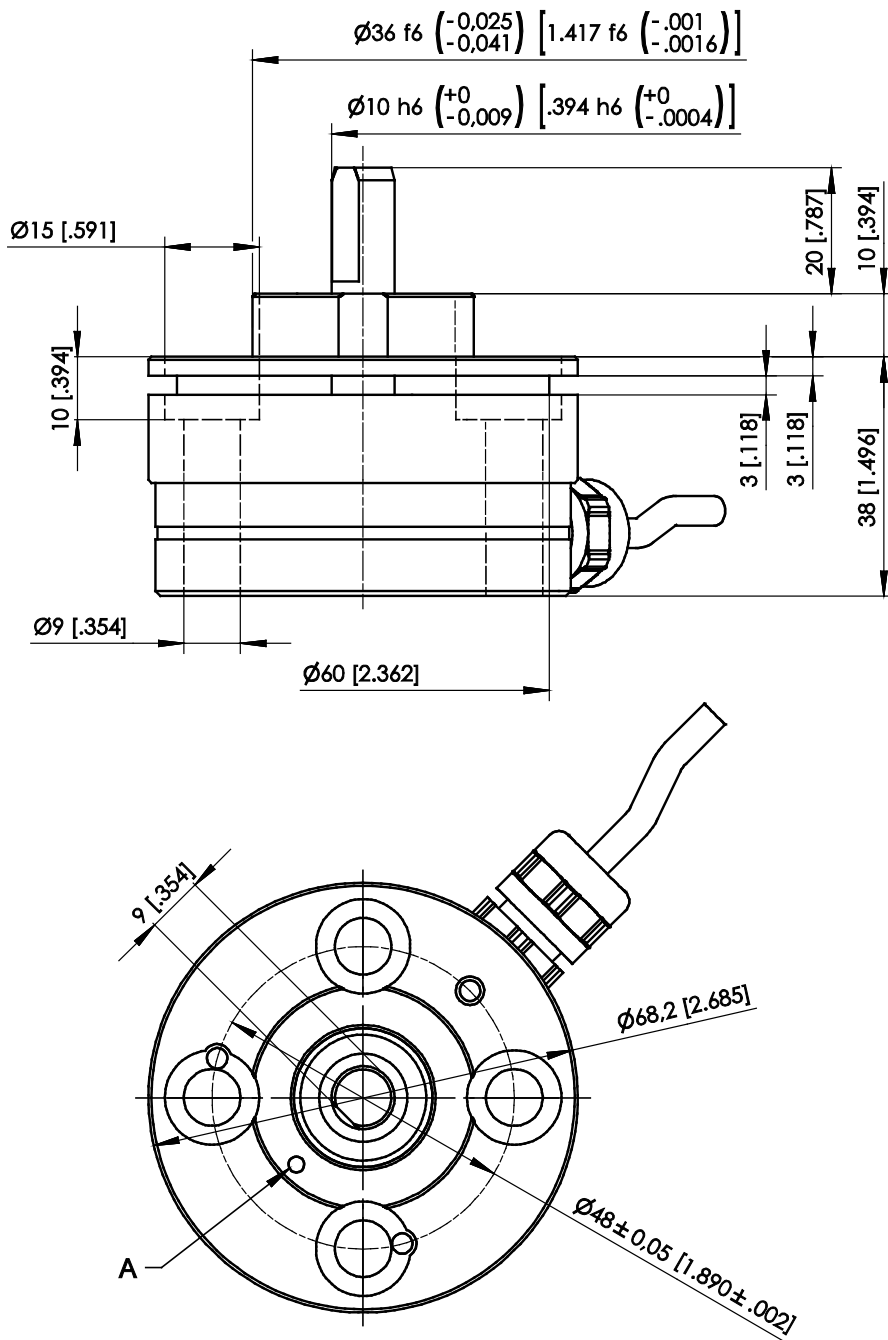
With shaft, connector M12, radial



A – Connector M12
B – Marking

Dimensions in mm [inch].
Dimensions informative only.
For guaranteed dimensions consult factory.

Cable version, with shaft

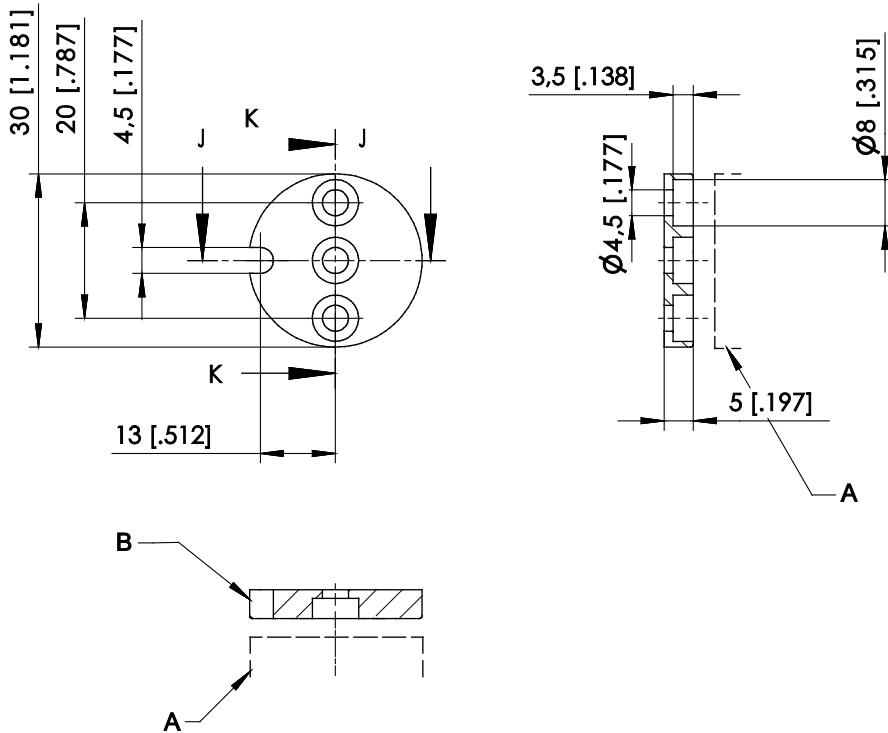


A – Marking

Dimensions in mm [inch].
Dimensions informative only.
For guaranteed dimensions consult factory.

Position magnets

PRMAG20



A – Sensor
B – Marking

Order code	Weight	Material	Moment of inertia
PRMAG20	approx. 12 g	zinc coated steel, plastic	1.3 kgmm ²

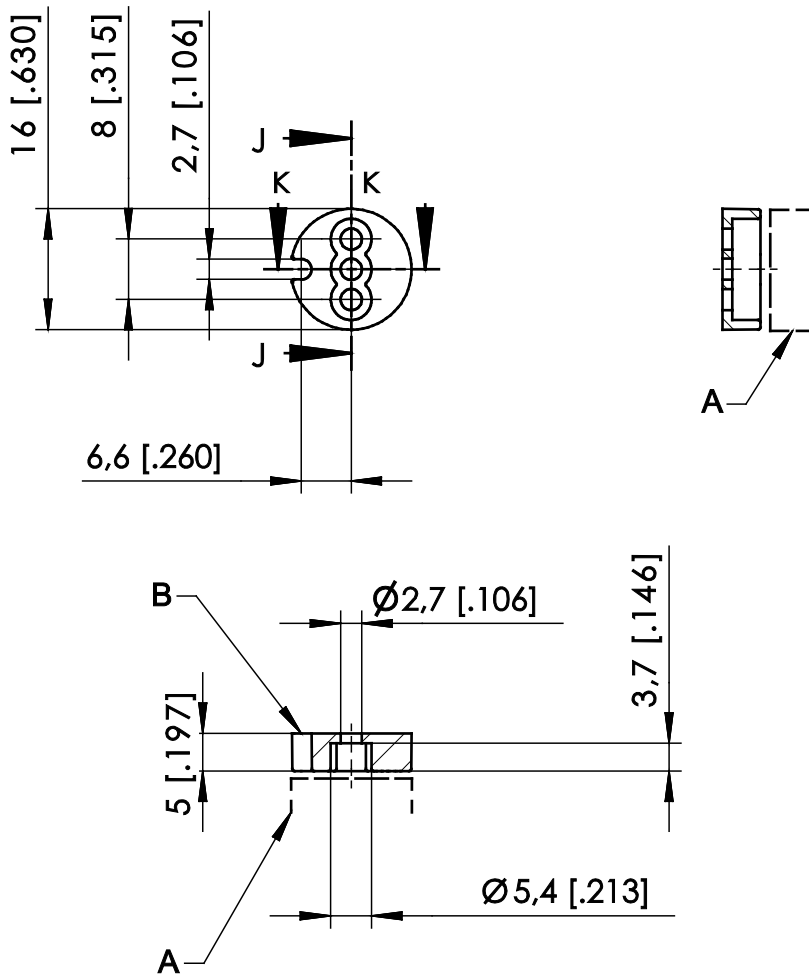
A misalignment of the position magnet has an effect on the linearity.

Dimensions in mm [inch].

Dimensions informative only.

For guaranteed dimensions please consult factory.

PRMAG21



A – Sensor
B – Marking

Order code	Weight	Material	Moment of inertia
PRMAG21	approx. 3 g	zinc coated steel; plastic	0.1 kgmm ²

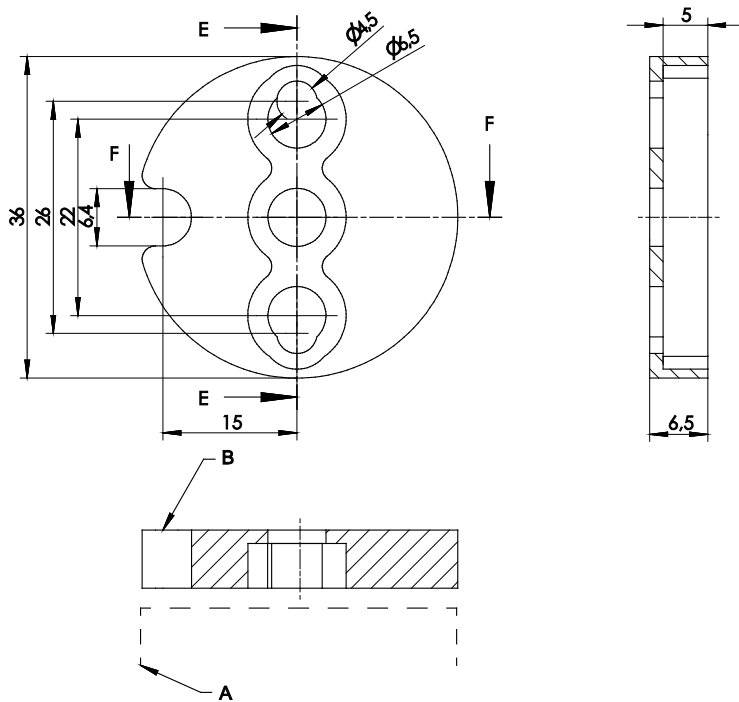
A misalignment of the position magnet has an effect on the linearity.

Dimensions in mm [inch]

Dimensions informative only.

For guaranteed dimensions please consult factory.

PRMAG22



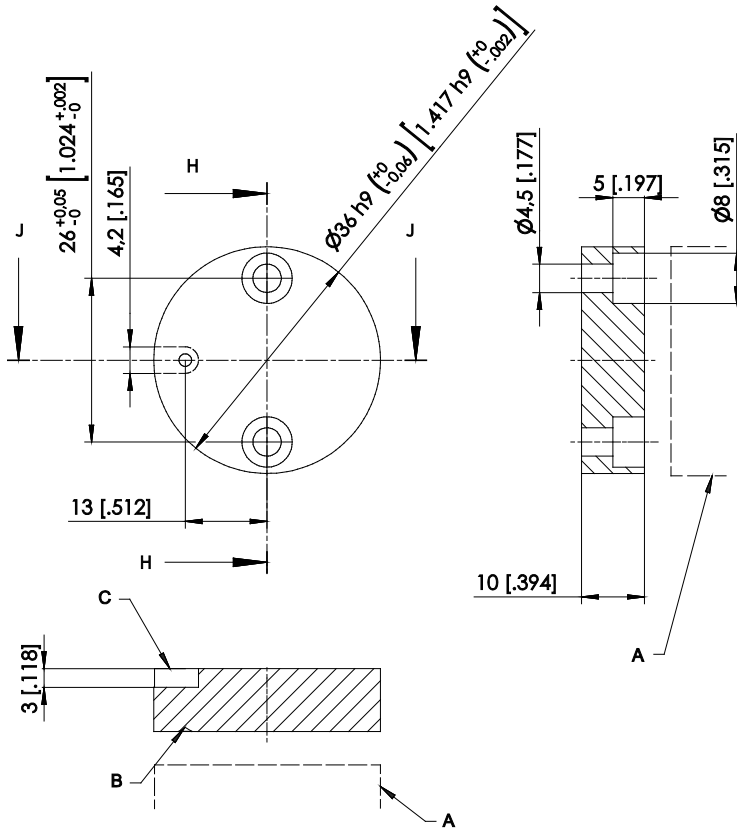
A – Sensor
B – Marking

Order code	Weight	Material	Moment of inertia
PRMAG22	approx. 19 g	zinc coated steel, plastic	3 kgmm ²

A misalignment of the position magnet has an effect on the linearity.

Dimensions in mm [inch].
Dimensions informative only
For guaranteed dimensions please consult factory.

PRMAG2-VA / PRMAG2-Z-VA



- A – Sensor
- B – Marking
- C – Notch

Order code	Weight	Material	Moment of inertia
PRMAG2-VA	approx. 67 g	stainless steel 1.4404	12 kgmm ²
PRMAG2-Z-VA	approx. 61 g	stainless steel 1.4404	11.5 kgmm ²

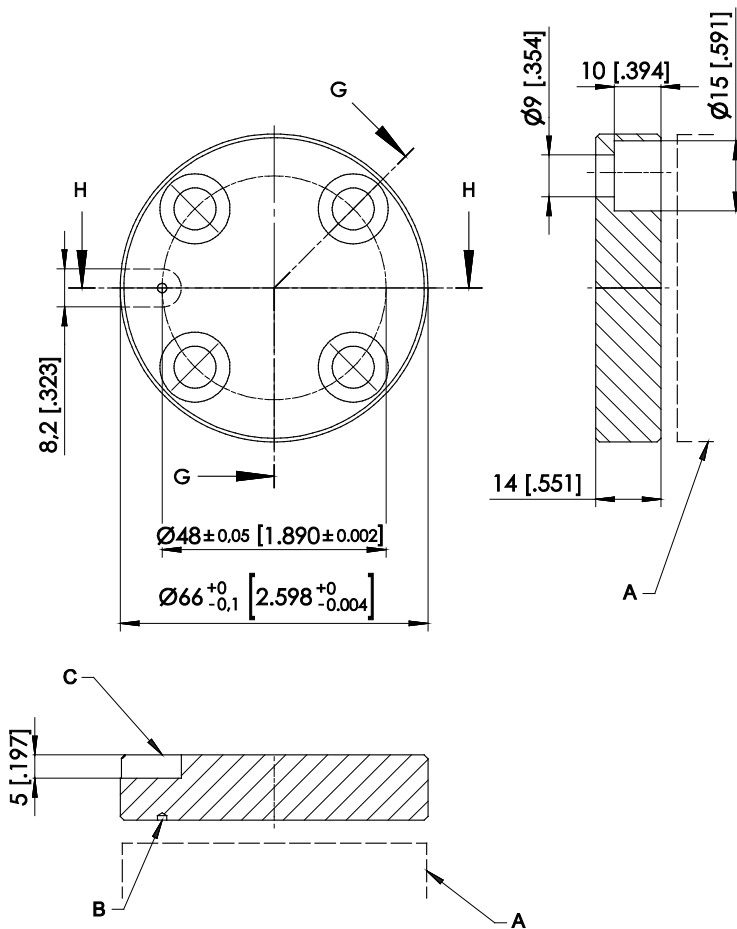
A misalignment of the position magnet has an effect on the linearity.

Dimensions in mm [inch].

Dimensions informative only.

For guaranteed dimensions please consult factory.

PRMAG5-Z / PRMAG5-Z-VA



A – Sensor
B – Marking
C – Notch

Order code	Weight	Material	Moment of inertia
PRMAG5-Z	approx. 110 g	AlMgSi1	59,9 kgmm ²
PRMAG5-Z-VA	approx. 275 g	stainless steel 1.4404	149,9 kgmm ²

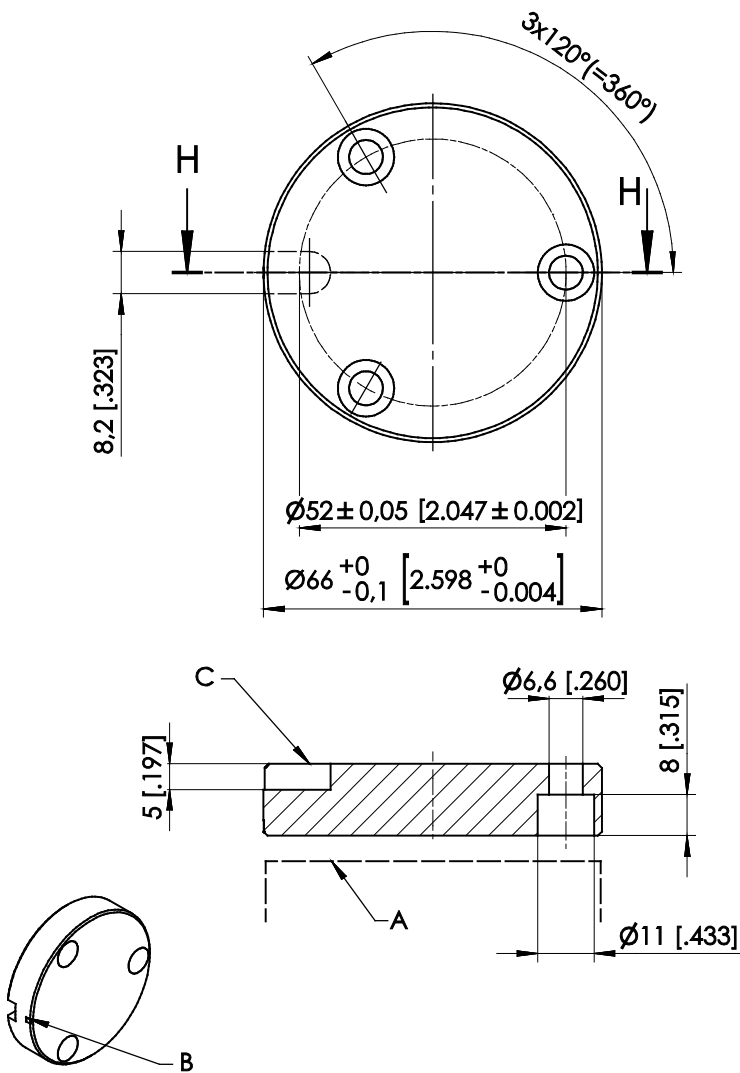
A misalignment of the position magnet has an effect on the linearity.

Dimensions in mm [inch].

Dimensions informative only.

For guaranteed dimensions please consult factory.

PRMAG6-Z / PRMAG6-Z-VA



A – Sensor
B – Marking
C – Notch

Order code	Weight	Material	Moment of inertia
PRMAG6-Z	approx. 110 g	AlMgSi1,	65 kgmm ²
PRMAG6-Z-VA	approx. 315 g	stainless steel 1.4404	190 kgmm ²

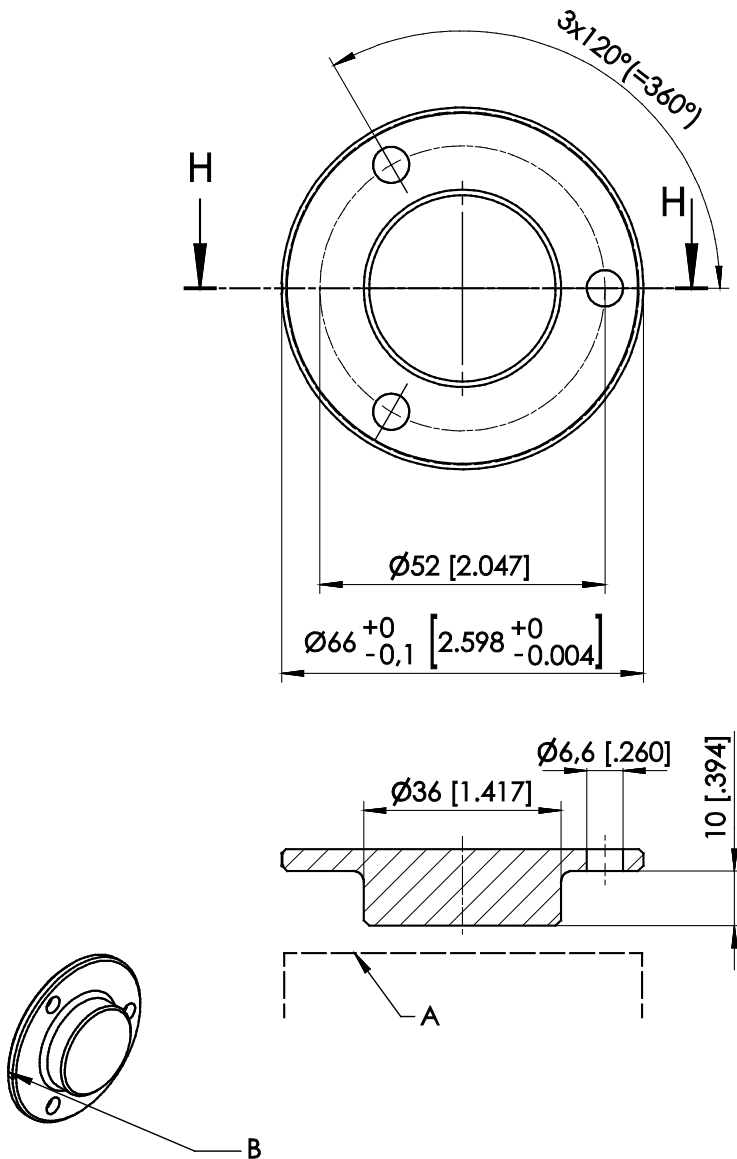
A misalignment of the position magnet has an effect on the linearity.

Dimensions in mm [inch].

Dimensions informative only.

For guaranteed dimensions please consult factory.

PRMAG7-Z-VA



A – Sensor
B – Marking

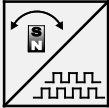
Order code	Weight	Material	Moment of inertia
PRMAG7-Z-VA	approx. 146 g	stainless steel 1.4404	68 kgmm ²

A misalignment of the position magnet has an effect on the linearity.

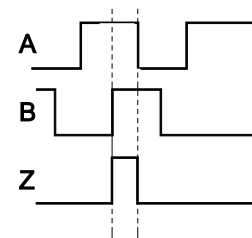
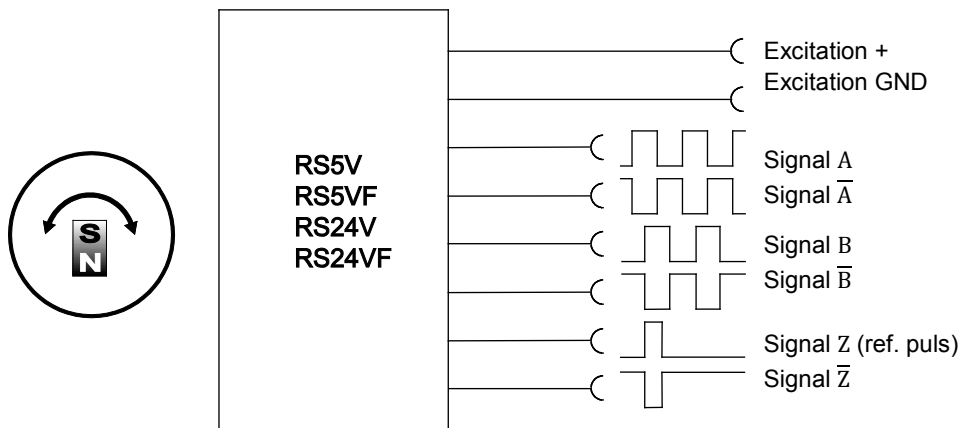
Dimensions in mm [inch]
Dimensions informative only.
For guaranteed dimensions please consult factory.

Output specification

Incremental output

RS5V(F)/RS24V(F) Incremental 	Interface	EIA RS-422
	Excitation voltage	RS5V(F): 5 V DC $\pm 10\%$ RS24V(F): 10 ... 36 V DC
	Excitation current	100 mA max., depending on the load
	Pulse frequency	<500 kHz
	Output signals	A, \bar{A} , B, \bar{B} , Z, \bar{Z} Push-Pull
	Output current	10 mA max.
	Stability (temperature)	$\pm 50 \times 10^{-6} / ^\circ\text{C}$ f.s. (typical)
	Operating temperature	-40 ... +85 $^\circ\text{C}$
	Protection	Short circuit
	EMC	DIN EN 61326-1:2013

Output signals



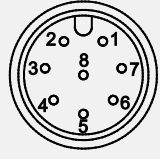
Unfiltered output RS5V / RS24V

A preferred maximum pulse frequency has to be defined within the product code. This will take account for limited bandwidth of downstream counter.

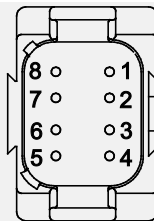
Filtered output RS5VF / RS24VF

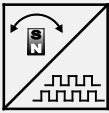
Option for filtered jitter free position value. The filter does not introduce velocity or acceleration error.

Signal wiring

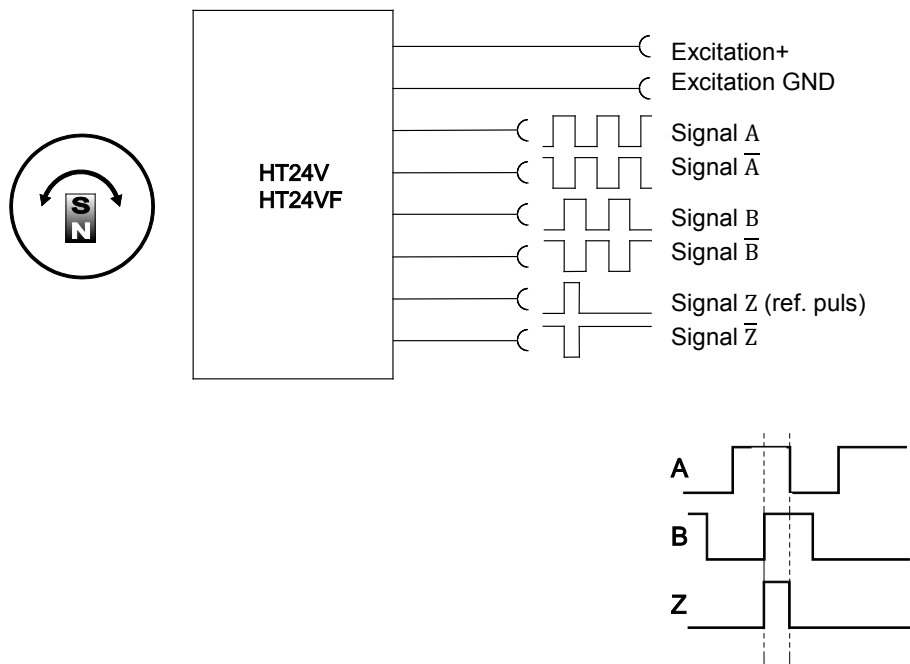
Signal	Connector pin no.	Cable color	View to the sensor connector
Excitation +	1	white	
Excitation GND	2	brown	
A	4	yellow	
\bar{A}	6	pink	
B	3	green	
\bar{B}	5	grey	
Z	7	blue	
\bar{Z}	8	red	

Deutsch connector DT04/8P/A



HT24V(F) Incremental 	Interface	HTL
	Excitation voltage	18 ... 36 V DC
	Excitation current	100 mA max., depending on the load
	Pulse frequency	<500 kHz
	Output signals	A, \bar{A} , B, \bar{B} , Z, \bar{Z} Push-Pull
	Output current	10 mA max.
	Stability (temperature)	$\pm 50 \times 10^{-6} / ^\circ\text{C}$ f.s. (typical)
	Operating temperature	-40 ... +85 °C
	Protection	Short circuit
	EMC	DIN EN 61326-1:2013

Output signals



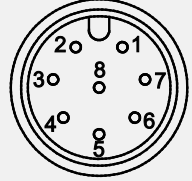
Unfiltered output HT24V

A preferred maximum pulse frequency has to be defined within the product code. This will take account for limited bandwidth of downstream counter.

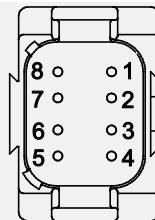
Filtered output HT24VF

Option for filtered jitter free position value. The filter does not introduce velocity or acceleration error.


Signal wiring

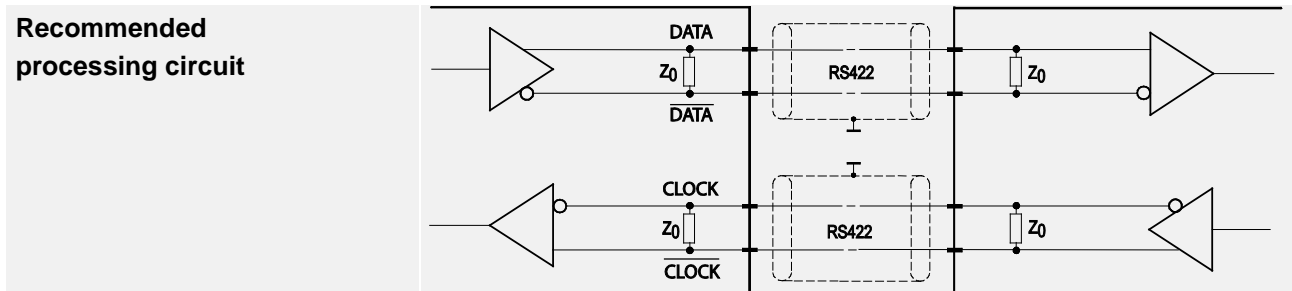
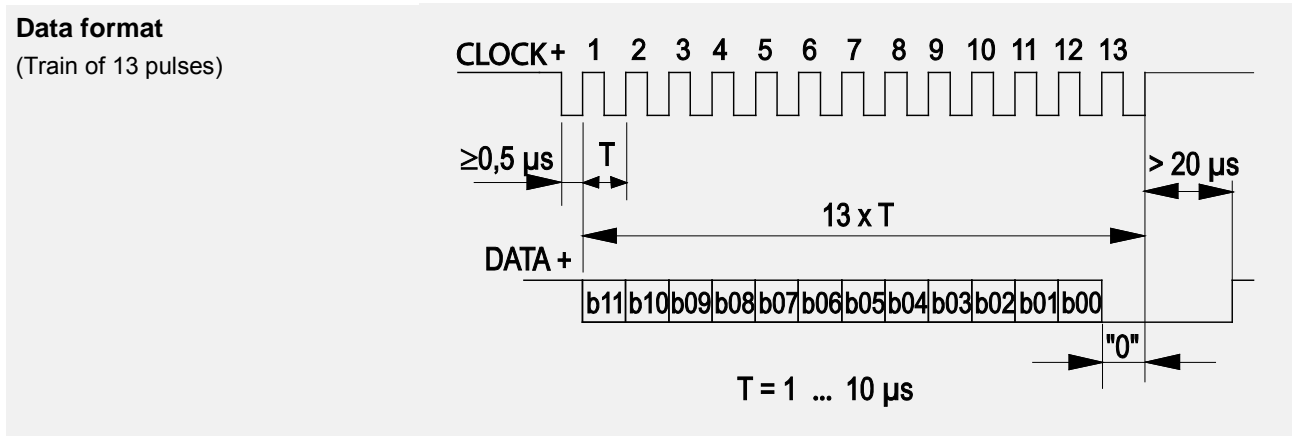
Output signals	Connector pin no.	Cable color	View to the sensor connector
Excitation +	1	white	
Excitation GND	2	brown	
A	4	yellow	
\bar{A}	6	pink	
B	3	green	
\bar{B}	5	grey	
Z	7	blue	
\bar{Z}	8	red	

Deutsch connector DT04/8P/A



SSI output

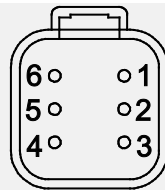
RSSI5V/RSSI24V Synchronous serial SSI 	Interface	EIA RS-422
	Excitation voltage	RSSI5V: 5 V DC ±10% RSSI24V: 10 ... 36 V DC
	Excitation current	100 mA max. without load
	Clock frequency	100 kHz ... 500 kHz
	Code	Gray-Code, continuous progression, 12 bit
	Delay between pulse trains	20 µs min.
	Stability (temperature)	±50 x 10 ⁻⁶ / °C f.s. (typical)
	Operating temperature	-40 ... +85 °C
	Protection	Short circuit
	EMC	EN 61326-1:2013




Transmission rate	Cable length	Baud rate	Note:
	50 m	100 - 1000 kHz	Extension of the cable length will reduce the maximum transmission rate. The signals CLOCK / $\overline{\text{CLOCK}}$ and DATA/ $\overline{\text{DATA}}$ must be connected in a twisted pair cable, shielded per pair and common.
	100 m	100 - 300 kHz	

Signal wiring	Connector pin no.	Cable color	View to the sensor connector
Excitation +	1	brown	
Excitation GND	2	white	
CLOCK	3	green	
$\overline{\text{CLOCK}}$	4	yellow	
DATA	5	grey	
$\overline{\text{DATA}}$	6	pink	
-	7	blue	
-	8	red	

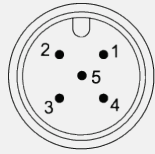
Deutsch connector DT04/6P/A

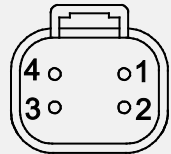



Digital output CANopen

CANOP CANopen 	CAN Specification	ISO 11898, Basic and Full CAN 2.0 B
	Communication profile	CANopen CiA 301 V 4.02, Slave
	Device profile	Encoder CiA 406 V 3.2
	Configuration services	Layer Setting Service (LSS), CiA Draft Standard 305 (transmission rate, node id)
	Error Control	Node Guarding, Heartbeat, Emergency Message
	Node ID	Default: 127; programmable via LSS or SDO
	PDO	3 TxPDO, 0 RxPDO, static mapping
	PDO Modes	Event-/Time triggered, Remote-request, Sync cyclic/acyclic
	SDO	1 server, 0 Client
	CAM	8 cams
	Certified	Yes
	Transmission rates	50 kBaud to 1 MBaud, default: 125 kBaud; programmable via LSS or SDO
	Bus connection	M12 connector, 5 pin
	Integrated bus terminating resistor	Adjustable by the customer
	Bus, galvanic isolated	No

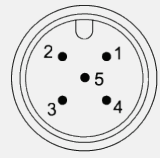
Specifications	Excitation voltage	8 ... 36 V DC
	Excitation current	20 mA typical at 24 V DC 40 mA typical at 12 V DC, 80 mA max.
	Resolution	0.05° max.
	Linearity	1° (optional 0.25°)
	Measuring rate	1 kHz (asynchronous)
	Stability (temperature)	±50 x 10 ⁻⁶ /°C f.s. (typical)
	Repeatability	1 LSB
	Operating temperature	See specification of the respective sensor
	Protection	Reverse polarity, short circuit
	Dielectric strength	1 kV (V AC, 50 Hz, 1 min.)
	EMC	DIN EN 61326-1:2013

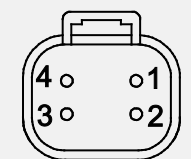
Signal wiring	Signal	Connector pin no.	Cable color	View to the sensor connector
	Shield	1	brown	
	Excitation +	2	white	
	GND	3	blue	
	CAN-H	4	black	
	CAN-L	5	grey	

Signal wiring Deutsch connector DT04/4P/A	Signal	Connector pin no.	View to the sensor connector
	Excitation+	1	
	CAN-H	2	
	GND	3	
	CAN-L	4	


CANOPR CANopen 	CAN Specification	ISO 11898, Basic and Full CAN 2.0 B
	Communication profile	CANopen CiA 301 V 4.02, Slave
	Device profile	Encoder CiA 406 V 3.2
	Configuration services	Layer Setting Service (LSS), CiA Draft Standard 305 (transmission rate, node id)
	Error Control	Node Guarding, Heartbeat, Emergency Message
	Node ID	Default: 127 and 126; programmable via LSS or SDO
	PDO	3 TxPDO, 0 RxPDO, static mapping
	PDO Modes	Event-/Time triggered, Remote-request, Sync cyclic/acyclic
	SDO	1 server, 0 Client
	CAM	8 cams
	Certified	Yes
	Transmission rates	50 kBaud to 1 MBaud, default: 125 kBaud; programmable via LSS or SDO
	Bus connection	M12 connector, 5 pin
	Integrated bus terminating resistor	adjustable by the customer
Bus, galvanic isolated	No	

Specifications	Excitation voltage	8 ... 36 V DC
	Excitation current	40 mA typical at 24 V DC 80 mA typical at 12 V DC, 120 mA max.
	Resolution	0.05° max.
	Linearity	1° (0.25° optional)
	Measuring rate	1 kHz (asynchronous)
	Stability (temperature)	±50 x 10 ⁻⁶ /°C f.s. (typical)
	Repeatability	1 LSB
	Operating temperature	See specification of the respective sensor
	Protection	Reverse polarity, short circuit
	Dielectric strength	1 kV (V AC, 50 Hz, 1 min.)
EMC	DIN EN 61326-1:2013	

Signal wiring	Signal	Connector pin no.	Cable color	View to the sensor connector
	Shield	1	brown	
	Excitation +	2	white	
	GND	3	blue	
	CAN-H	4	black	
	CAN-L	5	grey	

Signal wiring Deutsch connector DT04/4P/A	Signal	Connector pin no.	View to the sensor connector
	Excitation+	1	
	CAN-H	2	
	GND	3	
	CAN-L	4	

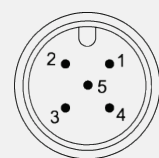
Digital output CAN SAE J1939

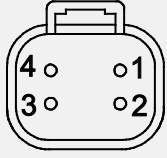
CANJ1939 CAN SAE J1939 	CAN Specification	ISO 11898, Basic and Full CAN 2.0 B
	Transceiver	24V-compliant, not isolated
	Communication profile	SAE J1939
	Baud Rate	250 kbit/s
	Internal termination resistor	adjustable by the customer
	Address	Default 247d, configurable


NAME Fields	Arbitrary address capable	1	Yes
	Industry group	0	Global
	Vehicle system	7Fh (127d)	Non specific
	Vehicle system instance	0	
	Function	FFh (255d)	Non specific
	Function instance	0	
	ECU instance	0	
	Manufacturer	145h (325d)	Manufacturer ID
	Identity number	0nnn	Serial number 21 bit

Parameter Group Numbers (PGN)	Configuration data	PGN EF00h	Proprietary-A (PDU1 peer-to-peer)
	Process data	PGN FFnnh	Proprietary-B (PDU2 broadcast); nn Group Extension (PS) configurable

Specifications	Excitation voltage	8 ... 36 V DC
	Excitation current	20 mA typical at 24 V DC 40 mA typical at 12 V DC, 80 mA max.
	Resolution	0.05° max.
	Linearity	1° (0.25° optional)
	Measuring rate	1 kHz (asynchronous)
	Stability (temperature)	±50 x 10 ⁻⁶ /°C f.s. (typical)
	Repeatability	1 LSB
	Operating temperature	See specification of the respective sensor
	Protection	Reverse polarity, short circuit
	Dielectric strength	1 kV (V AC, 50 Hz, 1 min.)
	EMV	DIN EN 61326-1:2013

Signal wiring	Signal	Connector pin no.	View to the sensor connector
	Shield	1	
	Excitation +	2	
	GND	3	
	CAN-H	4	
	CAN-L	5	

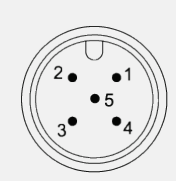
Signal wiring Deutsch connector	Signal	Connector pin no.	View to the sensor connector
DT04/4P/A	Excitation+	1	
	CAN-H	2	
	GND	3	
	CAN-L	4	

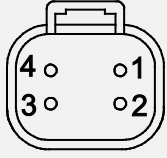
CANJ1939R CAN SAE J1939 	CAN Specification	ISO 11898, Basic and Full CAN 2.0 B
	Transceiver	24V-compliant, not isolated
	Communication profile	SAE J1939
	Baud Rate	250 kbit/s
	Internal termination resistor	Adjustable by the customer
	Address	Default 247d and 246d, configurable

NAME Fields	Arbitrary address capable	1	Yes
	Industry group	0	Global
	Vehicle system	7Fh (127d)	Non specific
	Vehicle system instance	0	
	Function	FFh (255d)	Non specific
	Function instance	0	
	ECU instance	0	
	Manufacturer	145h (325d)	Manufacturer ID
	Identity number	0nnn	Serial number 21 bit

Parameter Group Numbers (PGN)	Configuration data	PGN EF00h	Proprietary-A (PDU1 peer-to-peer)
	Process data	PGN FFnnh	Proprietary-B (PDU2 broadcast); nn Group Extension (PS) configurable

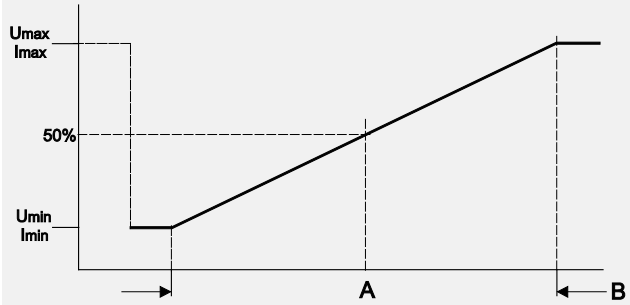
Specifications	Excitation voltage	8 ... 36 V DC
	Excitation current	40 mA typical at 24 V DC 80 mA typical at 12 V DC, 120 mA max.
	Resolution	0.05° max.
	Linearity	1° (0.25° optional)
	Measuring rate	1 kHz (asynchronous)
	Stability (temperature)	±50 x 10 ⁻⁶ /°C f.s. (typical)
	Repeatability	1 LSB
	Operating temperature	See specification of the respective sensor
	Protection	Reverse polarity, short circuit
	Dielectric strength	1 kV (V AC, 50 Hz, 1 min.)
EMV	DIN EN 61326-1:2013	

Signal wiring	Signal	Connector Pin no.	Cable color	View to the sensor connector
	Shield	1	brown	
	Excitation +	2	white	
	GND	3	blue	
	CAN-H	4	black	
	CAN-L	5	grey	

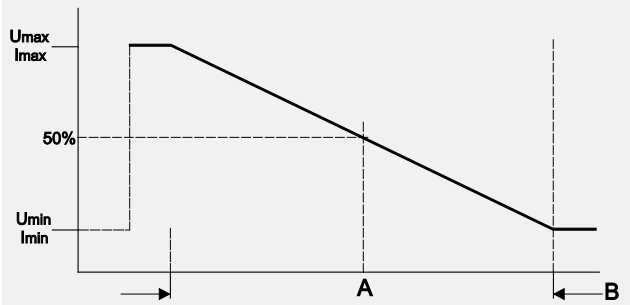
Signal wiring Deutsch connector	Signal	Connector pin no.	View to the sensor connector
DT04/4P/A	Excitation+	1	
	CAN-H	2	
	GND	3	
	CAN-L	4	

Characteristics for magnetic angle sensors

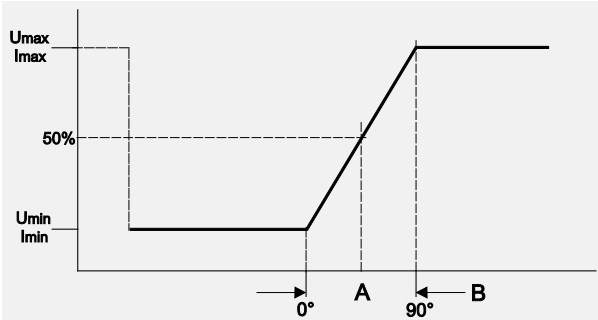
Output signal CW
(clockwise increasing)



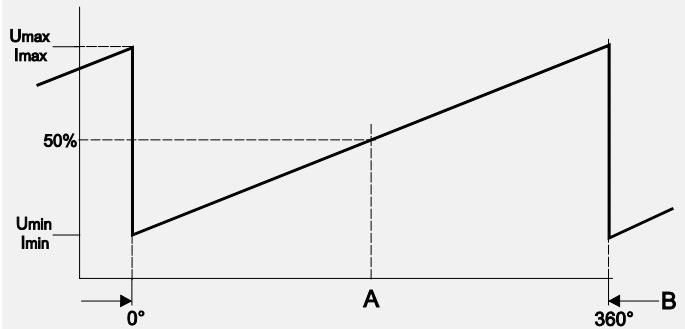
Output signal CCW
(counterclockwise increasing)



Example angular range 90°



Example angular range 360°



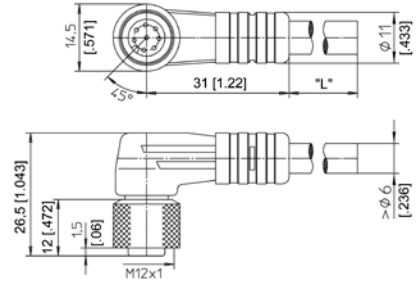
A – Marking
B – Measurement range [°]

Accessories

Connector cable M12, 8 pin (angular coupling)

shielded connector

The 8-lead shielded cable is supplied with a mating 8-pin 90° M12 connector at one end and 8 wires at the other end. Available lengths are 2 m, 5 m and 10 m. Wire: cross sectional area 0.25 mm² Cable diameter: 6.3 ±0.2 mm



Order code

KAB - xM - M12/8F/W - LITZE

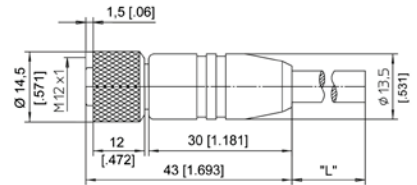
IP69: **KAB - xM - M12/8F/W/69K - LITZE**

xM = length in m

Connector cable M12, 8 pin (straight coupling)

shielded connector

The 8-lead shielded cable is supplied with a mating 8-pin M12 connector at one end and 8 wires at the other end. Available lengths are 2 m, 5 m and 10 m. Wire: cross sectional area 0.25 mm² Cable diameter: 6.3 ±0.2 mm



Order code

KAB - xM - M12/8F/G - LITZE

IP69: **KAB - xM - M12/8F/G/69K - LITZE**

xM = length in m

Signal wiring M12, 8 pin	Plug connection / cable color							
	1	2	3	4	5	6	7	8
	white	brown	green	yellow	grey	pink	blue	red

Applicable for cable carriers

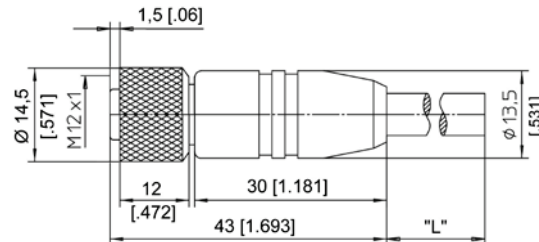
Maximum movement speed	3 m/s
Maximum acceleration	5 m/s ²
Minimum bending radius	10 x cable diameter

Connector/bus cable M12, 5 pin CAN-Bus

The 5-lead shielded cable is supplied with a female 5 pin M12 connector at one end and a male 5 pin M12 connector at the other end.

Available lengths are 0.3 m, 2 m, 5 and 10 m.

Cable diameter: 6.7 ±0.2 mm



Order code:

KAB - xM - M12/5F/G - M12/5M/G - CAN

IP69: **KAB - xM - M12/5F/G/69K - M12/5M/G/69K - CAN**

xM = length in m

T-connector for bus cable M12, 5 pin CAN-Bus

Order code:

KAB - TCONN - M12/5M - 2M12/5F - CAN



Terminating resistor M12, 5 pin CAN-Bus

Order code:

KAB - RTERM - M12/5M/G - CAN



Applicable for cable carriers

Maximum movement speed	3 m/s
Maximum acceleration	5 m/s ²
Minimum bending radius	10 x cable diameter

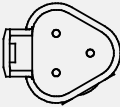
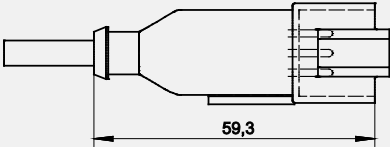
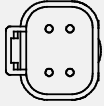
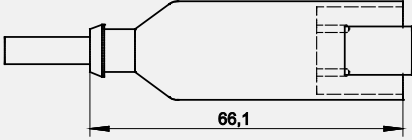
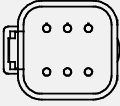
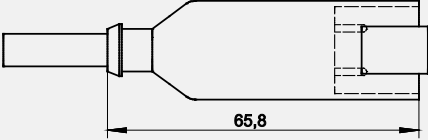
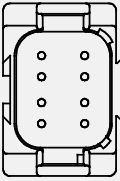
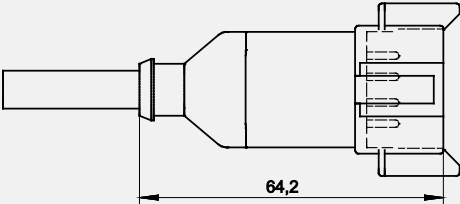
Deutsch connector

Sensors with cable output can be delivered with Deutsch connector.

- Protection class: IP67 (while plugged)
- Connection: 3, 4, 6, 8 poles – depending on output, see table below
- Wire cross sectional area: 0.5 mm²
- Standard cable length: 2 m
- Protective cable tube: for a better mechanical protection the cable can be delivered with a protective tube



Deutsch connector – table

Number of poles	Deutsch connector DT04		Output
3 pin			U6
4 pin			U2, U2B, U8 I1, I1B CANOP(R), CANJ1939(R)
6 pin			U6R RSSI5V RSSI24V
8 pin			U2R, U8R I1R RS5VF, RS24VF HT24VF