

PRODUCT CATALOG 2017

Electrical components and enclosure accessories



Get familiar with
Ouneva products online:
www.ouneva.fi



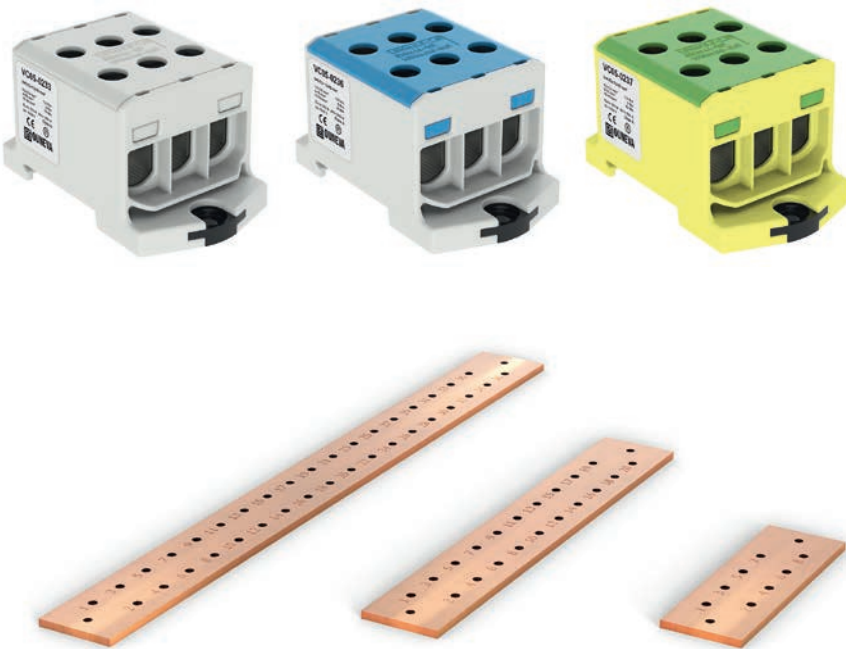
Ouneva Group

Ouneva Group is a 40 years old family company. Ouneva Group has grown into an international system supplier and product development partner, contributed by the good demand of company's electrical components.

Ouneva Oy

With 40 years of experience, Ouneva Oy is a leading Finnish connector manufacturer providing services for several electrical equipment industries. We supply large volumes of connectors worldwide. In Nordic countries and Eastern Europe, you find Ouneva connectors from most of the major connector wholesalers.

Also, Ouneva Oy is a significant system supplier and subcontractor for electrical equipment and electronic industries. We provide high quality customer specific components and appliances worldwide. Strong contribution to develop and provide connector technologies deepens our customer relations.



You will find Ouneva connectors comprehensively from electrical wholesalers selection!
Get familiar with Ouneva products online: www.ounevaproducts.fi



Ouneva Oy

Teollisuustie 21
82730 Tuupovaara
Finland

Tel. +358 400 179 750
Fax +358 13 861 457

Orders

Tuula Tserni
Tel. +358 40 728 6276

Marjut Nilsen
Tel. +358 40 728 6271

Sales

Esa Väänänen
Tel. +358 400 276 362

Jarkko Nevalainen
Tel. +358 50 462 1577

Jukka Hyvärinen
Tel. +358 40 567 2274

Managing director

Mikko Nevalainen

E-mail:
firstname.lastname@ouneva.fi

Table of contents

COPPER CABLE LUGS & CONNECTORS

Cable lugs - PK-series	4
Cable lugs - PKD-series.....	6
Angle cable lugs.....	7
Splice connectors.....	9
Parallel sleeves.....	9
Al/Cu splice connectors.....	10
C-sleeves.....	11
Screw cable lug.....	11

ALUMINIUM CABLE LUGS & CONNECTORS

Aluminium cable lug OLA.....	12
Aluminium splice connector OJA	13
Al/Cu bi-metal cable lug OSCU	14
Shear bolt cable lug ROLA.....	15
Shear bolt splice connector ORJA	15

UNIVERSAL CONNECTORS

Universal connector - OL-series	16
Universal connector - OT-series.....	17
Insulated universal connector - OLE-series	18
Insulated universal connector - OTE-series	18
Insulated universal connector - OTL-series.....	19
Device connectors.....	26

WIRING TERMINALS

OJL distribution blocks.....	28
Terminal plate	29
Branching blocks.....	30
Universal branching connectors.....	31

GROUNDING EQUIPMENT

Grounding ball studs	32
PEN-connectors.....	33
Potential equalizer busbars	33
Grounding busbars	34

CABLE TERMINALS & ACCESSORIES

IECEX/ATEX sealing plugs	35
Reduction glands	35
Cable terminal boxes.....	36
Flanges for switchgears	38
Socket joints.....	38

BUSBARS & SYSTEM EQUIPMENT

Flexible busbars	40
Busbar system connectors.....	41
Aluminium busbar connectors	42

OVERHEAD LINE ACCESSORIES (AMKA-PRODUCTS)

Aluminium-aluminium parallel groove clamps	43
Insulating covers for parallel groove clamps	44
Suspension clamp.....	44
Dead-end clamp	44

MARKING DEVICES

Marking devices	45
-----------------------	----

ENCLOSURE ACCESSORIES

Enclosure latches.....	47
Latch keys	48
Enclosure hinge	48

QUALITY GUARANTEE

Quality and environmental certificates.....	49
Samples of product certificates.....	50

Copper cable lugs

PK-series



Ouneva copper cable lugs designed for connecting copper cables, coils and busbars. The lugs are manufactured of 99,9% pure copper and electrolytically coated with tin.

Cable lugs are also compatible with PEX cables. Installation of the cable lugs can be performed with the most basic crimping tools (see page 8).

PK-series

PK-series cable lugs are compatible with all kinds of stranded (also compacted) wires.

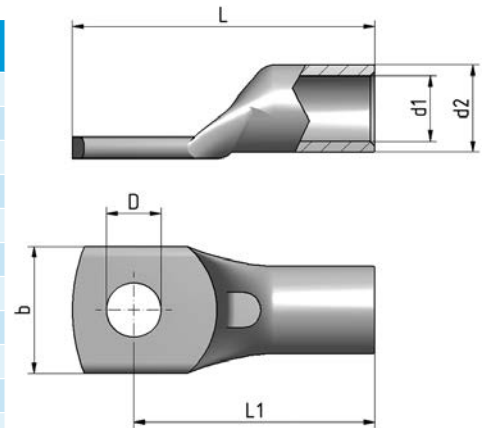
STK code	Product code	Product name	Conductor (mm ²)	D (mm)	L (mm)	L1 (mm)	d1 (mm)	d2 (mm)	b (mm)	Weight (g)	Package (pce)
52 011 01	VA01-0094	PK 0,75-3	0,75	3,3	16	13	1,3	3	6,1	0,5	100
52 011 02	VA01-0095	PK 0,75-4	0,75	4,2	17	13,5	1,3	3	6,5	0,5	100
52 003 13	VA01-0226	PK 0,75-5	0,75	5,4	21	15,5	1,3	3	10	1	100
52 011 05	VA01-0096	PK 1,5-3	1,5	3,3	16	13	1,9	3,4	6,5	1	100
52 011 06	VA01-0097	PK 1,5-4	1,5	4,2	17	13,5	1,9	3,4	6,5	1	100
52 011 07	VA01-0027	PK 1,5-5	1,5	5,4	18	13,5	1,9	3,4	7,5	1	100
52 011 10	VA01-0028	PK 2,5-3	2,5	3,3	16	13	2,6	4,2	6,5	1	100
52 011 11	VA01-0029	PK 2,5-4	2,5	4,2	17	13,5	2,6	4,2	6,5	1	100
52 011 12	VA01-0030	PK 2,5-5	2,5	5,4	18	13,5	2,6	4,2	7,5	1	100
52 011 13	VA01-0031	PK 2,5-6	2,5	6,4	21	15,5	2,6	4,2	8,5	1	100
52 011 20	VA01-0032	PK 6-4	6	4,3	23	17,5	3,6	6	8,5	3	100
52 011 21	VA01-0033	PK 6-5	6	5,5	23	17,5	3,6	6	9,5	3	100
52 011 22	VA01-0034	PK 6-6	6	6,5	25	17,5	3,6	6	9,5	3	100
52 011 23	VA01-0035	PK 6-8	6	8,5	30	23	3,6	6	13	4	100
52 011 25	VA01-0045	PK 10-5	10	5,5	32	22	5	8	11,5	8	100
52 011 26	VA01-0046	PK 10-6	10	6,5	32	22	5	8	11,5	8	100
52 011 27	VA01-0047	PK 10-8	10	8,5	34	22	5	8	13,5	8	100
52 011 28	VA01-0129	PK 10-10	10	10,5	40	27	5	8	14	8	100
52 003 00	VA01-0048	PK 16-5	16	5,5	34	27	6	9	13	10	100
52 011 30	VA01-0049	PK 16-6	16	6,5	34	26	6	9	13	10	100
52 011 31	VA01-0050	PK 16-8	16	8,5	34	26	6	9	13	9	100
52 011 32	VA01-0131	PK 16-10	16	10,5	40	29	6	9	16	10	100
52 011 33	VA01-0132	PK 16-12	16	12,5	43,5	31,5	6	9	18	11	100
52 003 01	VA01-0133	PK 16-14	16	14	43,5	31,5	6	9	18	11	100
52 011 35	VA01-0221	PK 25-6	25	6,5	37	30	8	11	16	14	100
52 011 36	VA01-0051	PK 25-8	25	8,5	37	30	8	11	17	13	100
52 011 37	VA01-0115	PK 25-10	25	10,5	40	33	8	11	17	14	100
52 011 38	VA01-0116	PK 25-12	25	12,5	46	34	8	11	20	15	100
52 003 02	VA01-0117	PK 25-14	25	14	46	34	8	11	20	15	100
52 011 39	VA01-0118	PK 25-16	25	17	54	39,5	8	11	23	17	100
52 011 40	VA01-0052	PK 35-6	35	6,5	44	35	9	13	18,5	25	100
52 011 41	VA01-0053	PK 35-8	35	8,5	44	35	9	13	18,5	25	100
52 011 42	VA01-0119	PK 35-10	35	10,5	44	35	9	13	18,5	24	100
52 011 43	VA01-0120	PK 35-12	35	12,5	48,5	36,5	9	13	20	26	100
52 017 43	VA01-0121	PK 35-14	35	14	48,5	36,5	9	13	20	25	100
52 011 44	VA01-0122	PK 35-16	35	17	56	41,5	9	13	23	28	100
52 003 03	VA01-0054	PK 50-6	50	6,5	49	40	11	14,5	21	29	100
52 011 45	VA01-0055	PK 50-8	50	8,5	49	40	11	14,5	21	28	100
52 011 46	VA01-0123	PK 50-10	50	10,5	49	40	11	14,5	21	27	100
52 011 47	VA01-0124	PK 50-12	50	12,5	55	43	11	14,5	23	29	100
52 017 47	VA01-0125	PK 50-14	50	14	55	43	11	14,5	23	29	100
52 011 48	VA01-0126	PK 50-16	50	17	60,5	46	11	14,5	24	33	100

Copper cable lugs

PK-series



STK code	Product code	Product name	Conductor (mm ²)	D (mm)	L (mm)	L1 (mm)	d1 (mm)	d2 (mm)	b (mm)	Weight (g)	Package (pce)
52 004 49	VA01-0062	PK 70-6	70	6,5	58	49	13	17	24,5	46	50
52 011 50	VA01-0056	PK 70-8	70	8,5	58	49	13	17	24,5	46	50
52 011 51	VA01-0127	PK 70-10	70	10,5	58	47	13	17	24,5	45	50
52 011 52	VA01-0128	PK 70-12	70	12,5	58	46,5	13	17	24,5	44	50
52 017 52	VA01-0017	PK 70-14	70	14	58	46,5	13	17	24,5	44	50
52 011 53	VA01-0018	PK 70-16	70	17	65	50,5	13	17	28	48	50
52 012 63	VA01-0072	PK 95-6	95	6,5	69	55	15	20	29	83	50
52 004 46	VA01-0064	PK 95-8	95	8,5	69	55	15	20	29	82	50
52 011 55	VA01-0019	PK 95-10	95	10,5	69	55	15	20	29	80	50
52 011 56	VA01-0020	PK 95-12	95	12,5	69	55	15	20	29	78	50
52 017 56	VA01-0021	PK 95-14	95	14	69	55	15	20	29	78	50
52 011 57	VA01-0022	PK 95-16	95	17	69	55	15	20	29	75	50
52 012 61	VA01-0066	PK 120-8	120	8,5	72	58	17	22	32	95	25
52 011 60	VA01-0023	PK 120-10	120	10,5	72	58	17	22	32	93	25
52 011 61	VA01-0024	PK 120-12	120	12,5	72	58	17	22	32	91	25
52 017 61	VA01-0036	PK 120-14	120	14	72	58	17	22	32	90	25
52 011 62	VA01-0037	PK 120-16	120	17	72	58	17	22	32	89	25
52 011 64	VA01-0038	PK 150-10	150	11	81	65	19	25	36	147	25
52 011 65	VA01-0039	PK 150-12	150	13	81	65	19	25	36	143	25
52 003 04	VA01-0040	PK 150-14	150	14	81	65	19	25	36	143	25
52 011 66	VA01-0041	PK 150-16	150	17	81	65	19	25	36	140	25
52 011 67	VA01-0042	PK 150-20	150	21	81	65	19	25	36	133	25
52 003 05	VA01-0043	PK 185-10	185	11	89	71	21	27	39	173	20
52 011 70	VA01-0044	PK 185-12	185	13	89	71	21	27	39	170	20
52 003 06	VA01-0135	PK 185-14	185	14	89	71	21	27	39	168	20
52 011 71	VA01-0144	PK 185-16	185	17	89	71	21	27	39	168	20
52 011 72	VA01-0145	PK 185-20	185	21	89	71	21	27	39	166	20
52 003 07	VA01-0102	PK 240-10	240	11	99	81	24	30	44	219	10
52 011 75	VA01-0103	PK 240-12	240	13	99	81	24	30	44	210	10
52 003 08	VA01-0104	PK 240-14	240	14	99	81	24	30	44	212	10
52 011 76	VA01-0105	PK 240-16	240	17	99	81	24	30	44	207	10
52 011 77	VA01-0106	PK 240-20	240	21	99	81	24	30	44	207	10
52 003 09	VA01-0107	PK 300-10	300	11	114	91	26	32	48	273	10
52 003 10	VA01-0108	PK 300-12	300	13	114	91	26	32	48	264	10
52 011 78	VA01-0109	PK 300-14	300	14	114	91	26	32	48	276	10
52 011 79	VA01-0110	PK 300-16	300	17	114	91	26	32	48	261	10
52 011 80	VA01-0111	PK 300-20	300	21	114	91	26	32	48	258	10
52 011 81	VA01-0235	PK 300-24	300	25	114	91	26	32	48	253	10
52 011 84	VA01-0112	PK 400-16	400	17	126	103	30	36	48	336	Qty by order
52 011 85	VA01-0113	PK 400-20	400	21	126	103	30	36	48	326	Qty by order
52 011 86	VA01-0236	PK 400-24	400	25	126	103	30	36	48	315	Qty by order
52 003 11	VA01-0091	PK 500-20	500	21	134	111	33	42	48	501	Qty by order
52 003 12	VA01-0092	PK 500-24	500	25	134	111	33	42	48	492	Qty by order



Copper cable lugs

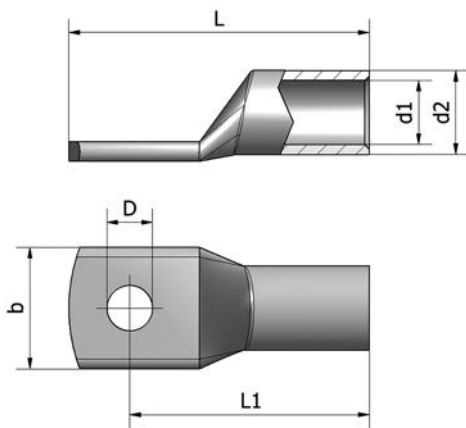
PKD-series



PKD-series cable lugs are compatible with compressed copper wires. Inner and outer dimensions are smaller in size compared to PK-series.

Installation of the cable lugs can be performed with the most basic crimping tools (see page 8).

STK code	Product code	Product name	Conductor (mm ²)	D (mm)	L (mm)	L1 (mm)	d1 (mm)	d2 (mm)	b (mm)	Weight (g)	Package (pce)
52 012 02	VA02-0006	PKD 10-5	10	5,5	29	23,0	4,5	7,0	11	5	100
52 012 04	VA02-0007	PKD 10-6	10	6,5	30	23,0	4,5	7,0	11	5	100
52 012 06	VA02-0008	PKD 10-8	10	8,5	32	24,0	4,5	7,0	13	5	100
52 012 10	VA02-0009	PKD 16-6	16	6,5	33,5	26,5	5,5	8,5	13	9	100
52 012 12	VA02-0010	PKD 16-8	16	8,5	35,5	27,5	5,5	8,5	15	9	100
52 003 74	VA02-0011	PKD 16-10	16	10,5	38,5	29,5	5,5	8,5	16	9	100
52 003 32	VA02-0012	PKD 16-12	16	12,5	42,5	31,5	5,5	8,5	18	10	100
52 012 14	VA02-0013	PKD 25-6	25	6,5	37	30,0	7,0	10,0	14	12	100
52 012 16	VA02-0014	PKD 25-8	25	8,5	38	30,0	7,0	10,0	15	12	100
52 012 18	VA02-0015	PKD 25-10	25	10,5	42	32,0	7,0	10,0	16	12	100
52 003 33	VA02-0016	PKD 25-12	25	12,5	46	35,0	7,0	10,0	18	13	100
52 012 20	VA02-0017	PKD 35-6	35	6,5	41	33,0	8,5	12,0	17	19	100
52 012 22	VA02-0018	PKD 35-8	35	8,5	42,5	33,5	8,5	12,0	17	20	100
52 012 24	VA02-0019	PKD 35-10	35	10,5	44	34,0	8,5	12,0	17	19	100
52 003 34	VA02-0020	PKD 35-12	35	12,5	47,5	36,5	8,5	12,0	19	20	100
52 012 26	VA02-0021	PKD 50-8	50	8,5	47,5	38,5	10,0	14,0	21	29	100
52 012 28	VA02-0022	PKD 50-10	50	10,5	49	39,0	10,0	14,0	21	29	100
52 012 30	VA02-0023	PKD 50-12	50	12,5	52	42,5	10,0	14,0	23	30	100
52 012 32	VA02-0024	PKD 70-8	70	8,5	52	43,0	12,0	16,5	24	44	50
52 012 34	VA02-0025	PKD 70-10	70	10,5	53	43,0	12,0	16,5	24	44	50
52 012 36	VA02-0026	PKD 70-12	70	12,5	56	44,0	12,0	16,5	24	45	50
52 012 38	VA02-0005	PKD 95-8	95	8,5	60	48,0	13,5	18,0	27	59	50
52 012 40	VA02-0001	PKD 95-10	95	10,5	60	48,0	13,5	18,0	27	57	50
52 012 42	VA02-0027	PKD 95-12	95	12,5	60	48,0	13,5	18,0	27	55	50
52 004 53	VA02-0003	PKD 120-10	120	10,5	69	55	15	19,5	28	65	25
52 004 54	VA02-0028	PKD 120-12	120	12,5	69	55	15	19,5	28	62	25
52 004 56	VA02-0029	PKD 120-14	120	14	69	55	15	19,5	28	60	25
52 004 57	VA02-0030	PKD 150-10	150	10,5	76	60	16,5	21	32	103	25
52 004 58	VA02-0031	PKD 150-12	150	12,5	76	60	16,5	21	32	100	25
52 004 59	VA02-0032	PKD 150-14	150	14	76	60	16,5	21	32	97	25



Copper cable lugs

PKK-series angle cable lugs



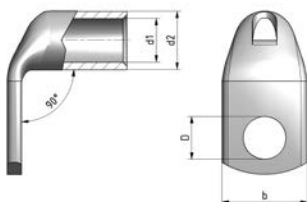
Angle cable lugs are designed for connecting copper cables, coils and busbars. Lugs are compatible with all kinds of stranded (also compressed) wires. PKK-series cable lugs are available with both 90° and 45° angle. When installing PKK-series cable lugs, use installation instructions provided for PK-series copper lugs (see page 8).

90° angle cable lugs

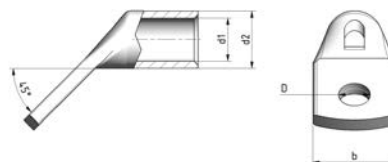
STK code	Product code	Product name	Conductor (mm ²)	D (mm)	d1 (mm)	d2 (mm)	b (mm)	Weight (g)	Package (pce)
52 003 19	VA01-0156	PKK 10-6-90	10	6,5	5	8	11,5	8	50
52 003 20	VA01-0157	PKK 10-8-90	10	8,5	5	8	13,5	8	50
52 003 21	VA01-0159	PKK 10-10-90	10	10,5	5	8	14	8	50
52 003 24	VA01-0161	PKK 16-6-90	16	6,5	6	9	13	10	50
52 003 25	VA01-0163	PKK 16-8-90	16	8,5	6	9	13	9	50
52 003 26	VA01-0164	PKK 16-10-90	16	10,5	6	9	16	10	50
52 003 29	VA01-0261	PKK 25-6-90	25	6,5	8	11	16	14	50
52 003 76	VA01-0168	PKK 25-8-90	25	8,5	8	11	17	13	50
52 003 77	VA01-0169	PKK 25-10-90	25	10,5	8	11	17	14	50
52 003 81	VA01-0262	PKK 35-6-90	35	6,5	9	13	18,5	25	50
52 003 82	VA01-0266	PKK 35-8-90	35	8,5	9	13	18,5	25	50
52 003 83	VA01-0265	PKK 35-10-90	35	10,5	9	13	18,5	24	50
52 003 88	VA01-0268	PKK 50-8-90	50	8,5	11	14,5	21	28	50
52 003 89	VA01-0269	PKK 50-10-90	50	10,5	11	14,5	21	27	50
52 003 90	VA01-0180	PKK 50-12-90	50	12,5	11	14,5	23	29	50
52 003 93	VA01-0183	PKK 70-8-90	70	8,5	13	17	24,5	46	25
52 003 94	VA01-0184	PKK 70-10-90	70	10,5	13	17	24,5	45	25
52 003 95	VA01-0187	PKK 70-12-90	70	12,5	13	17	24,5	44	25
52 003 98	VA01-0274	PKK 95-10-90	95	10,5	15	20	29	80	25
52 003 99	VA01-0239	PKK 95-12-90	95	12,5	15	20	29	78	25
52 003 43	VA01-0240	PKK 95-16-90	95	17	15	20	29	75	25
52 003 44	VA01-0192	PKK 120-10-90	120	10,5	17	22	32	93	15
52 003 45	VA01-0275	PKK 120-12-90	120	12,5	17	22	32	91	15
52 003 47	VA01-0191	PKK 120-16-90	120	17	17	22	32	89	15
52 003 48	VA01-0243	PKK 150-10-90	150	11	19	25	36	147	10
52 003 49	VA01-0246	PKK 150-12-90	150	13	19	25	36	143	10
52 003 52	VA01-0249	PKK 150-16-90	150	17	19	25	36	133	10
52 003 53	VA01-0258	PKK 185-10-90	185	11	21	27	39	173	10
52 003 54	VA01-0260	PKK 185-12-90	185	13	21	27	39	170	10
52 003 67	VA01-0255	PKK 185-16-90	185	17	21	27	39	168	10
52 003 70	VA01-0073	PKK 240-12-90	240	13	24	30	44	210	5
52 003 72	VA01-0220	PKK 240-16-90	240	17	24	30	44	207	5
52 003 73	VA01-0279	PKK 240-20-90	240	21	24	30	44	207	5

45° angle cable lugs

STK code	Product code	Product name	Conductor (mm ²)	D (mm)	d1 (mm)	d2 (mm)	b (mm)	Weight (g)	Package (pce)
52 003 59	VA01-0081	PKK 10-6-45	10	6,5	5	8	11,5	8	50
52 003 61	VA01-0158	PKK 10-8-45	10	8,5	5	8	13,5	8	50
52 003 62	VA01-0084	PKK 10-10-45	10	10,5	5	8	14	8	50
52 004 05	VA01-0083	PKK 16-6-45	16	6,5	6	9	13	10	50
52 004 06	VA01-0162	PKK 16-8-45	16	8,5	6	9	13	9	50
52 004 07	VA01-0251	PKK 16-10-45	16	10,5	6	9	16	10	50
52 004 09	VA01-0174	PKK 25-6-45	25	6,5	8	11	16	14	50
52 004 10	VA01-0167	PKK 25-8-45	25	8,5	8	11	17	13	50
52 004 11	VA01-0280	PKK 25-10-45	25	10,5	8	11	17	14	50
52 004 13	VA01-0179	PKK 35-6-45	35	6,5	9	13	18,5	25	50
52 004 14	VA01-0263	PKK 35-8-45	35	8,5	9	13	18,5	25	50
52 004 15	VA01-0264	PKK 35-10-45	35	10,5	9	13	18,5	24	50
52 004 17	VA01-0267	PKK 50-8-45	50	8,5	11	14,5	21	28	50
52 004 18	VA01-0271	PKK 50-10-45	50	10,5	11	14,5	21	27	50
52 004 19	VA01-0181	PKK 50-12-45	50	12,5	11	14,5	23	29	50
52 004 20	VA01-0273	PKK 70-8-45	70	8,5	13	17	24,5	46	25
52 004 21	VA01-0185	PKK 70-10-45	70	10,5	13	17	24,5	45	25
52 004 22	VA01-0186	PKK 70-12-45	70	12,5	13	17	24,5	44	25
52 004 24	VA01-0189	PKK 95-10-45	95	10,5	15	20	29	80	25
52 004 25	VA01-0190	PKK 95-12-45	95	12,5	15	20	29	78	25
52 011 95	VA01-0319	PKK 95-16-45	95	17	15	20	29	75	25
52 004 27	VA01-0281	PKK 120-10-45	120	10,5	17	22	32	93	15
52 004 28	VA01-0276	PKK 120-12-45	120	12,5	17	22	32	91	15
52 011 96	VA01-0320	PKK 120-16-45	120	17	17	22	32	89	15
52 004 30	VA01-0241	PKK 150-10-45	150	11	19	25	36	147	10
52 004 31	VA01-0245	PKK 150-12-45	150	13	19	25	36	143	10
52 011 97	VA01-0321	PKK 150-16-45	150	17	19	25	36	140	10
52 011 98	VA01-0322	PKK 185-10-45	185	11	21	27	39	173	10
52 011 99	VA01-0323	PKK 185-12-45	185	13	21	27	39	170	10
52 012 00	VA01-0324	PKK 185-16-45	185	17	21	27	39	168	10
52 004 33	VA01-0208	PKK 240-12-45	240	13	24	30	44	210	5
52 004 35	VA01-0219	PKK 240-16-45	240	17	24	30	44	207	5
52 012 01	VA01-0325	PKK 240-20-45	240	21	24	30	44	207	5



90° angle cable lugs



45° angle cable lugs

Copper cable lugs

Crimping tools for copper cable lugs

Crimping tools for PK-series cable lugs

PK-series	Stripping length of cable	Epress hexagonal die		Klauke (EK 22)		Klauke (K 50)		Klauke (EKM 60 ID-L)	Novopress V-press	
		Die type	No. of crimps	Die type	No. of crimps	Die type	No. of crimps		Die type	No. of crimps
PK-0,75	7	-	-	-	-	R501	1	-	-	-
PK-1,5	7	-	-	-	-	R501	1	-	-	-
PK-2,5	7	-	-	-	-	R501	1	-	-	-
PK-(4)/6	7,5	-	-	-	-	R502	1	-	-	-
PK-4/(6)	7,5	-	-	R 22/6 mm ² OU	1	R502	1	-	-	-
PK-10	11	B8	1	R 22/10 mm ² OU	1	R502	1	1	HPM400	1
PK-16	12	B9	1	R 22/16 mm ² OU	1	-	-	1	HPM400	1
PK-25	13	B11	1	R 22/25 mm ² OU	2	-	-	1	HPM400	1
PK-35	16	B13	1	R 22/35 mm ² OU	2	-	-	1	HPM400	1
PK-50	21	B14,5	1	R 22/50 mm ² OU	2	-	-	1	HPM400	1
PK-70	22	B17	1	R 22/70 mm ² OU	3	-	-	1	HPM400	1
PK-95	26	B20	1	R 22/95 mm ² OU	3	-	-	1	HPM400	1
PK-120	28	B22	1	R 22/120 mm ² OU	4	-	-	1	HPM400	2
PK-150	31	B25	1	R 22/150 mm ² OU	4	-	-	1	HPM400	2
PK-185	33	B27	1	R 22/185 mm ² OU	4	-	-	1	HPM400	2
PK-240	37	B30	1	R 22/240 mm ² OU	4	-	-	1	HPM400	2
PK-300	45	B32	1	R 22/300 mm ² OU	4	-	-	-	HPM400	2
PK-400	48	B36	2	-	-	-	-	-	HPM400	2

Crimping tools for PKD-series cable lugs

PKD-series	Stripping length of cable	Epress hexagonal die		Klauke (EK 22)		Klauke (K 50)		Klauke (EKM 60 ID-L)	Novopress V-press	
		Die type	No. of crimps	Die type	No. of crimps	Die type	No. of crimps		Die type	No. of crimps
PKD-10	11	B7	1	R 22/10 mm ²	1	R502	1	1	HPM400	1
PKD-16	13	B8,5	1	R 22/16 mm ²	1	-	-	1	HPM400	1
PKD-25	15	B10	1	R 22/25 mm ²	2	-	-	1	HPM400	1
PKD-35	17	B12	1	R 22/35 mm ²	2	-	-	1	HPM400	1
PKD-50	20	B14	1	R 22/50 mm ²	2	-	-	1	HPM400	1
PKD-70	22	B16	1	R 22/70 mm ²	3	-	-	1	HPM400	1
PKD-95	23	B18	1	R 22/95 mm ²	3	-	-	1	HPM400	1
PKD-120	27	B19	1	R 22/120 mm ²	4	-	-	1	HPM400	2
PKD-150	32	B22	1	R 22/150 mm ²	4	-	-	1	HPM400	2

Splice and parallel sleeve



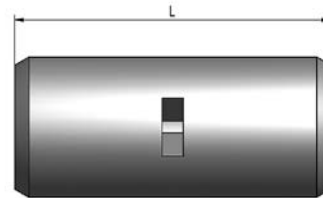
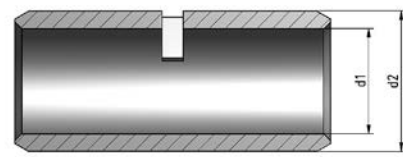
Splices and parallel sleeves are designed for extending and branching of copper cables and coils. The connectors are manufactured of 99.9 % pure copper and are electrolytically coated with tin.

Ouneva's sleeves are also compatible with PEX cables. Installation of the sleeves can be performed with the most basic crimping tools (see page 10).



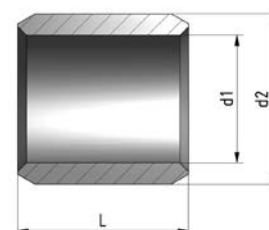
Splice connector

STK code	Product code	Product name	Conductor (mm ²)	L (mm)	d1 (mm)	d2 (mm)	Weight (g)	Package (pce)
52 066 00	VA03-0033	JH 0,75	0,75	14	1,4	3	1	100
52 066 05	VA03-0034	JH 1,5	1,5	14	1,6	3,4	1	100
52 066 10	VA03-0015	JH 2,5	2,5	16	2,6	4,2	1	100
52 066 20	VA03-0036	JH 6	6	19	3,6	6	3	100
52 066 25	VA03-0037	JH 10	10	21	5	8	6	100
52 066 30	VA03-0038	JH 16	16	29	6	9	9	100
52 066 35	VA03-0035	JH 25	25	35	8	11	14	100
52 066 40	VA03-0039	JH 35	35	35	9	13	22	100
52 066 45	VA03-0040	JH 50	50	40	11	14,5	25	50
52 066 50	VA03-0041	JH 70	70	40	13	17	33	50
52 066 55	VA03-0042	JH 95	95	55	15	20	67	50
52 066 60	VA03-0013	JH 120	120	55	17	22	74	50
52 066 65	VA03-0043	JH 150	150	55	19	25	99	25
52 066 70	VA03-0012	JH 185	185	70	21	27	138	25
52 066 75	VA03-0053	JH 240	240	70	22	29	156	25
52 066 80	VA03-0023	JH 300	300	75	24,5	31,5	180	10
52 066 85	VA03-0024	JH 400	400	100	30	38	210	10



Parallel sleeve

STK code	Product code	Product name	Conductor (mm ²)	L (mm)	d1 (mm)	d2 (mm)	Weight (g)	Package (pce)
52 004 72	VA03-0026	RJ 6	6	10	3,6	6	2	100
52 004 73	VA03-0019	RJ 10	10	10	5	8	3	100
52 004 74	VA03-0020	RJ 16	16	14	6	9	4	100
52 004 97	VA03-0025	RJ 25	25	15	8	11	6	100
52 004 98	VA03-0021	RJ 35	35	19	9	13	10	100
52 004 99	VA03-0022	RJ 50	50	20	11	14,5	11	50
52 011 00	VA03-0032	RJ 70	70	20	13	17	15	50
52 011 03	VA03-0014	RJ 95	95	25	15	20	25	50
52 011 04	VA03-0027	RJ 120	120	27	17	22	30	50
52 011 09	VA03-0028	RJ 150	150	30	19	25	48	25
52 011 14	VA03-0029	RJ 185	185	35	21	27	56	25
52 011 18	VA03-0030	RJ 240	240	35	24	30	68	25
52 011 19	VA03-0031	RJ 300	300	40	26	32	83	10
52 012 19	VA03-0054	RJ 400	400	50	30	36	106	10



Al/Cu splice connector



JHR-series Al/Cu splice connectors are designed for extending of aluminium and copper cables and coils. Installation of the splices can be performed with the most basic crimping tools.

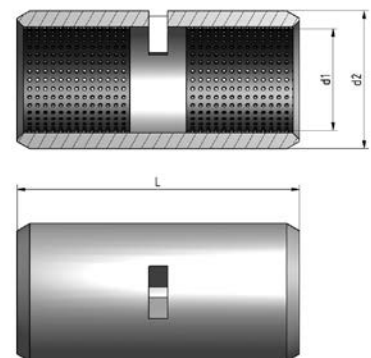


STK code	Product code	Product name	Conductor (mm ²)	L (mm)	d1 (mm)	d2 (mm)	Weight (g)	Package (pce)
52 004 62	VA03-0044	JHR 25	25	40	7,2	11	16	100
52 004 63	VA03-0045	JHR 35	35	40	8,2	13	24	100
52 004 64	VA03-0046	JHR 50	50	55	10,2	14,5	27	50
52 004 66	VA03-0009	JHR 70	70	55	12,2	17	35	50
52 004 67	VA03-0047	JHR 95	95	55	14,2	20	69	50
52 004 68	VA03-0048	JHR 120	120	55	16,2	22	78	50
52 004 69	VA03-0011	JHR 150	150	75	18,2	25	103	25
52 004 71	VA03-0055	JHR 185	185	75	20,2	27	142	25
52 012 21	VA03-0080	JHR 240	240	75	23,2	30	168	25
52 012 23	VA03-0081	JHR 300	300	75	25,2	32	195	10
52 012 25	VA03-0082	JHR 400	400	100	29,2	36	222	10

Crimping tools for splices and parallel sleeves

JH/RJ/JHR	Stripping length of cable (mm)	Elpress hexagonal die		Klauke (EK 22)		Klauke (K 50)		Klauke (EKM 60 ID-L)		Novopress V-press	
		Die type	No. of crimps	Die type	No. of crimps	Die type	No. of crimps	No. of crimps	Die type	No. of crimps	
0,75	6*	-	-	-	-	R501	2* / 1**	-	-	-	
1,5	7*	-	-	-	-	R501	2* / 1**	-	-	-	
2,5	7*	-	-	-	-	R501	2* / 1**	-	-	-	
(4)/6	9*/9**	-	-	-	-	R502	2* / 1**	-	-	-	
4/(6)	9*/9**	-	-	R 22/6 mm ² OU	2*/1**	R502	2* / 1**	-	-	-	
10	10*/10**	B8	2*/1**	R 22/10 mm ² OU	2*/1**	R502	2* / 1**	2* / 1**	HPM400	2*/1**	
16	14*/14**	B9	2*/1**	R 22/16 mm ² OU	4*/2**	-	-	2* / 1**	HPM400	2*/1**	
25	16*/15**	B11	2*/1**	R 22/25 mm ² OU	4*/2**	-	-	2* / 1**	HPM400	2*/1**	
35	16*/16**	B13	2*/1**	R 22/35 mm ² OU	4*/2**	-	-	2* / 1**	HPM400	2*/1**	
50	19*/18**	B14,5	2*/1**	R 22/50 mm ² OU	4*/3**	-	-	2* / 1**	HPM400	2*/1**	
70	19*/18**	B17	2*/1**	R 22/70 mm ² OU	4*/3**	-	-	2* / 1**	HPM400	2*/1**	
95	21*/20**	B20	2*/1**	R 22/95 mm ² OU	6*/3**	-	-	2* / 1**	HPM400	2*/1**	
120	21*/22**	B22	2*/1**	R 22/120 mm ² OU	6*/3**	-	-	2* / 1**	HPM400	4*/2**	
150	26*/26**	B25	2*/1**	R 22/150 mm ² OU	6*/3**	-	-	2* / 1**	HPM400	4*/2**	
185	34*/30**	B27	2*/1**	R 22/185 mm ² OU	8*/4**	-	-	2* / 1**	HPM400	4*/2**	
240	34*/30**	B30	2*/1**	R 22/240 mm ² OU	8*/4**	-	-	2* / 1**	HPM400	4*/2**	
300	36*/35**	B32	2*/1**	R 22/300 mm ² OU	8*/4**	-	-	-	HPM400	4*/2**	
400	36*/40**	B36	2*/1**	-	-	-	-	-	HPM400	4*/2**	

*JH/JHR **RJ

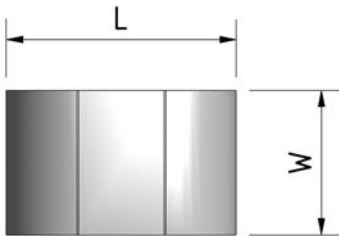


C-sleeve



C-sleeves are designed for connecting, branching and extending of copper lines. Sleeves are manufactured of 99.9 % pure copper.

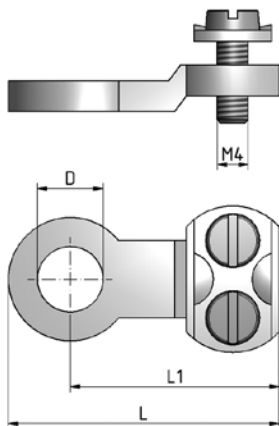
The C-sleeves has marking of manufacturer, type of sleeve and the sizes of compatible wires.



STK code	Product code	Product name	Conductor (mm ²)	L (mm)	H (mm)	W (mm)	Crimping dies (E/press)	Weight (g)	Package (pce)
50 403 04	VA05-0010	C4	6-10/6-10	13	8	12	BC4	5	100
50 403 00	VA05-0011	C5	10-16/10-16	16	10	15	BC5	10	100
50 403 05	VA05-0001	C6-3	16-25/6	19	12	16	BC6	19	100
50 403 06	VA05-0002	C6	16-25/16-25	22	11,8	16	BC6	18	100
50 403 01	VA05-0012	C8-6	25-35/16-25	28	18	22,7	BC8-9	60	50
50 403 08	VA05-0003	C8	25-35/25-35	28	18	23	BC8-9	58	50
50 403 10	VA05-0008	C9-6	35-50/16-25	28	18	23	BC8-9	58	50
50 403 02	VA05-0013	C9-8	35-50/25-35	28	18	23	BC8-9	56	50
50 403 09	VA05-0004	C9	35-50/35-50	28	18	23	BC8-9	51	50
50 403 03	VA05-0014	C11-8	50-70/25-35	31	19	23	BC11	63	50
50 403 07	VA05-0015	C11-9	50-70/35-50	31	19	23	BC11	60	50
50 403 11	VA05-0005	C11	50-70/50-70	31	19	24	BC11	59	50
50 403 12	VA05-0016	C13-8	70-95/25-35	35	22	25	BC13	89	50
50 403 14	VA05-0017	C13-9	70-95/35-50	35	22	25	BC13	87	50
50 403 16	VA05-0018	C13-11	70-95/50-70	35	22	25	BC13	82	50
50 403 13	VA05-0007	C13	70-95/70-95	35	22	25	BC13	74	50
50 403 17	VA05-0019	C15-8	95-120/25-35	41	26	30	BC15	152	25
50 403 18	VA05-0020	C15-9	95-120/35-50	41	26	30	BC15	149	25
50 403 19	VA05-0021	C15-11	95-120/50-70	41	26	30	BC15	144	25
50 403 20	VA05-0022	C15-13	95-120/70-95	41	26	30	BC15	136	25
50 403 15	VA05-0006	C15	95-120/95-120	41	26	30	BC15	123	25
50 403 22	VA05-0024	C16-9	120-150/35-50	53	30	35	BC16	264	10
50 403 21	VA05-0023	C16	120-150/120-150	53	30	35	BC16	232	10

Screw cable lug

Screw cable lug is designed for connecting copper wires. It can be installed without any special tools. The lug is made of 99,9 % pure copper and electrolytically coated with tin. Tightening screws and the bracket are made of steel and plated with zinc.



STK code	Product code	Product name	Conductor (mm ²)	L (mm)	L1 (mm)	D (mm)	Tightening screw	Weight (g)	Package (pce)
52 003 30	VA06-0001	RKK 1,5-16	1,5-16	26	20	8,5	M4	19	100

Aluminium cable lug OLA



OLA aluminium cable lugs are designed to be used when connecting aluminium cables.

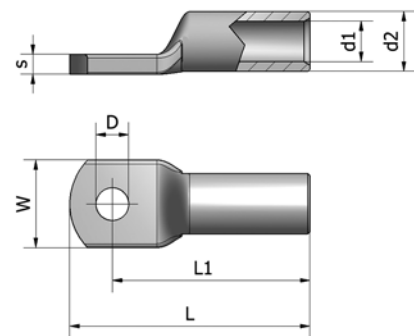
Connectors are delivered with a conical washer and a flat pressure washer. OLA connectors can also be connected to tin-plated, silver-plated and unplated copper busbars if joint grease is used.

Connectors are also compatible with PEX cables. Installation of OLA connectors can be made with tested and approved crimping tools.

STK code	Product code	Product name	Conductor (mm ²)	D (mm)	L (mm)	L1 (mm)	d1 (mm)	d2 (mm)	W (mm)	S (mm)	Weight (g)	Package (pce/bag or box)
52 023 30	VB01-0073	OLA 16-8	16	8,5	53	41,5	5,4	11	18	3,5	5	3/90
52 012 03	VB01-0066	OLA 16-12	16	12,5	66	49,5	5,4	11	18	3,5	7	3/90
52 023 35	VB01-0002	OLA 25-8	25	8,5	53,5	42,5	6,8	13	20	4	8	3/90
52 004 51	VB01-0026	OLA 25-12	25	12,5	65	49	6,8	13	20	4,5	9	3/90
52 023 40	VB01-0003	OLA 35-8	35	8,5	54,5	43,5	8,2	15	20	5	12	3/90
52 012 05	VB01-0024	OLA 35-12	35	12,5	66	49	8,2	15	20	5,5	14	3/90
52 023 45	VB01-0058	OLA 50-10	50	10,5	61,5	48	9,6	17	25	6	17	3/90
52 012 07	VB01-0029	OLA 50-12	50	12,5	67	50,5	9,6	17	25	6	20	3/90
52 023 50	VB01-0059	OLA 70-10	70	10,5	74	60	11,5	21	25	9	40	3/90
52 004 52	VB01-0067	OLA 70-12	70	12,5	80	63	11,5	21	32	7	45	3/90
52 023 55	VB01-0060	OLA 95-12	95	12,5	88	70	13,5	23	32	9	58	3/90
52 012 09	VB01-0036	OLA 120-10	120	10,5	87	69	15,5	26	32	10	72	3/90
52 023 60	VB01-0061	OLA 120-12	120	12,5	87	70	15,5	26	32	10	71	3/90
52 023 65	VB01-0062	OLA 150-12	150	12,5	94	76	16,5	26	32	9	71	3/90
52 012 11	VB01-0070	OLA 150-16	150	16,5	94	77	16,5	26	40	8	79	3/90
52 023 70	VB01-0063	OLA 185-12	185	12,5	98	80	18,7	29	34	10	91	3/90
52 012 13	VB01-0031	OLA 185-16	185	16,5	111,5	89,5	18,7	29	41	10	106	3/90
52 023 75	VB01-0064	OLA 240-12	240	12,5	111,5	94	21	31	40	10	112	3/90
52 012 15	VB01-0038	OLA 240-16	240	17	125	102,5	21	31	44	10	129	3/90
52 023 80	VB01-0065	OLA 300-12	300	12,5	98	80	22,5	33	40	10	104	3/90
52 012 17	VB01-0074	OLA 300-16	300	17	112	88,5	22,5	33	46	10	123	3/90
52 004 01	VB01-0001	OLA 800-2x14	800	2 14	261	201/241	36	60	40	20	964	1/15

Crimping tools for OLA cable lugs

OLA	Stripping length of cable	Elpress hexagonal die		Burndy round die		Novopress HP 300		Thomas & Betts TBM-8		Klauke (EKM 60 ID-L)
OLA - size (mm ²)	(mm)	Die type	No. of crimps	Die type	No. of crimps	Die type	No. of crimps	Die type	No. of crimps	No. of crimps
OLA 16	25	B11	2	U237	1	-	-	13461 Brown	2	1
OLA 25	26	B13	2	U250	4	-	-	13462 Green	2	1
OLA 35	28	B14,5	2	U250	4	35-50	3	13462 Black	3	1
OLA 50	30	B16	2	U252	4	35-50	3	13464 Tan	3	1
OLA 70	39	B20	2	U166	3	70-240	3	13464 Ruby	3	1
OLA 95	42	B22	2	U247	2	70-240	3	13465 White	4	2
OLA 120	42	B27	2	U249	2	70-240	3	13467 Blue	4	2
OLA 150	47	B27	2	U249	2	70-240	3	13467 Blue	4	2
OLA 185	51	B30	2	U251	3	70-240	3	-	-	2
OLA 240	64	B32	2	U316	3	70-240	5	-	-	2
OLA 300	51	B36	2	U317	3	70-240	4	-	-	-
OLA 800	130	Elpress matrix crimp / Matrix holder: V1471 / Matrix: W60M / Punch: W60D / Total two (2) crimps								



Aluminium splice connector OJA

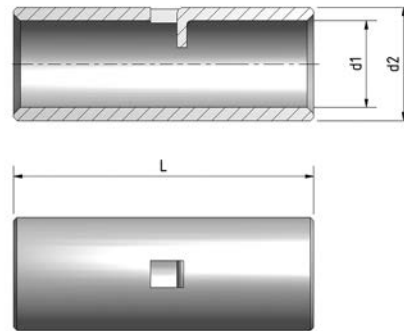


OJA splice connector is a crimping-type connector designed to be used when extending aluminium cables.

Connectors are also compatible with PEX cables. Installation of OJA connectors can be made with tested and approved crimping tools.



STK code	Product code	Product name	Conductor (mm ²)	L (mm)	d1 (mm)	d2 (mm)	Weight (g)	Package (pce/ bag or box)
52 073 30	VB02-0010	OJA 16	16	50	5,4	11	11	3/90
52 073 35	VB02-0011	OJA 25	25	60	6,8	13	17	3/90
52 073 40	VB02-0001	OJA 35	35	60	8,2	15	21	3/90
52 073 45	VB02-0002	OJA 50	50	70	9,6	17	31	3/90
52 073 50	VB02-0003	OJA 70	70	70	11,5	21	49	3/90
52 073 55	VB02-0004	OJA 95	95	90	13,5	23	69	3/90
52 073 60	VB02-0005	OJA 120	120	90	15,5	26	87	3/90
52 073 65	VB02-0006	OJA 150	150	100	16,5	26	84	3/90
52 073 70	VB02-0007	OJA 185	185	100	18,7	29	111	3/90
52 073 75	VB02-0008	OJA 240	240	120	21	31	138	3/90
52 073 80	VB02-0009	OJA 300	300	120	22,5	33	121	3/90
52 004 02	VB02-0012	OJA 800	800	288	36	60	1379	1/15



Crimping tools for OJA splice connectors

OJA	Stripping length of cable (mm)	Elpress hexagonal die		Burdny round die		Novopress HP 300		Thomas & Betts TBM-8		Klauke (EKM 60 ID-L)
OJA - size (mm ²)	(mm)	Die type	No. of crimps	Die type	No. of crimps	Die type	No. of crimps	Die type	No. of crimps	No. of crimps
OJA 16	25	B11	4	U237	2	-	-	13461 Brown	6	2
OJA 25	30	B13	4	U250	8	-	-	13462 Green	6	2
OJA 35	30	B14,5	4	U250	8	35-50	6	13462 Black	6	2
OJA 50	35	B16	4	U252	8	35-50	6	13464 Tan	6	2
OJA 70	35	B20	4	U166	6	70-240	6	13464 Ruby	6	2
OJA 95	45	B22	4	U247	4	70-240	6	13465 White	8	4
OJA 120	45	B27	4	U249	4	70-240	6	13467 Blue	8	4
OJA 150	50	B27	4	U249	4	70-240	6	13467 Blue	8	4
OJA 185	50	B30	4	U251	6	70-240	6	-	-	4
OJA 240	60	B32	4	U316	6	70-240	10	-	-	4
OJA 300	50	B36	4	U317	6	70-240	8	-	-	-
OJA 800	130	Elpress matrix crimp / Matrix holder: V1471 / Matrix: W60M / Punch: W60D / Total four (4) crimps								

Al/Cu bi-metal cable lug OSCU

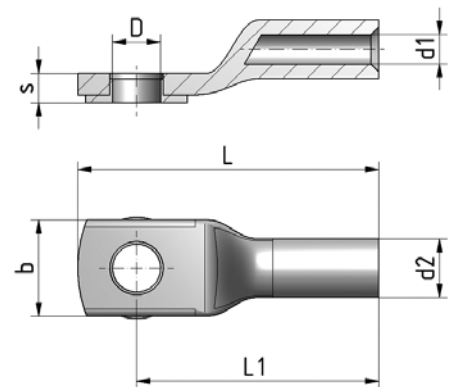


OSCU Al/Cu bi-metal connector is a crimping-type cable lug for aluminium cables. OSCU connector can be directly connected to tinned, silver-plated and unplated copper busbars in damp locations.

OSCU connectors are delivered with a conical washer and a flat pressure washer. Connectors are also compatible with PEX cables. Installation of OSCUs can be made with tested and approved crimping tools.



STK code	Product code	Product name	Conductor (mm ²)	D (mm)	L (mm)	L1 (mm)	d1 (mm)	d2 (mm)	B (mm)	S (mm)	Weight (g)	Package (pce/bag or box)
52 030 30	VB03-0001	OSCU 16-8	16	8,5	53	41,5	5,4	11	18	6	27	3/90
52 030 35	VB03-0002	OSCU 25-8	25	8,5	53,5	42,5	6,8	13	20	7	31	3/90
52 030 40	VB03-0003	OSCU 35-8	35	8,5	54,5	43,5	8,2	15	20	8	36	3/90
52 030 45	VB03-0004	OSCU 50-10	50	10,5	61,5	48	9,6	17	25	8	53	3/90
52 030 50	VB03-0005	OSCU 70-10	70	10,5	74	60	11,5	21	25	12	99	3/90
52 030 55	VB03-0006	OSCU 95-12	95	12,5	88	70	13,5	23	32	12	120	3/90
52 030 60	VB03-0007	OSCU 120-12	120	12,5	87	70	15,5	26	32	14	133	3/90
52 030 65	VB03-0008	OSCU 150-12	150	12,5	94	76	16,5	26	32	12	133	3/90
52 030 70	VB03-0009	OSCU 185-12	185	12,5	98	80	18,7	29	34	14	156	3/90
52 030 75	VB03-0010	OSCU 240-12	240	12,5	111,5	94	21	31	40	13	187	3/90
52 030 80	VB03-0011	OSCU 300-12	300	12,5	98	80	22,5	33	40	14	180	3/90



Crimping tools for OSCU bi-metal cable lugs

OSCU	Stripping length of cable	Elpress hexagonal die		Burdny round die		Novopress HP 300		Thomas & Betts TBM-8		Klauke (EKM 60 ID-L)
OSCU - size (mm ²)	(mm)	Die type	No. of crimps	Die type	No. of crimps	Die type	No. of crimps	Die type	No. of crimps	No. of crimps
OSCU 16	25	B11	2	U237	1	-	-	13461 Brown	2	1
OSCU 25	26	B13	2	U250	4	-	-	13462 Green	2	1
OSCU 35	28	B14,5	2	U250	4	35-50	3	13462 Black	3	1
OSCU 50	30	B16	2	U252	4	35-50	3	13464 Tan	3	1
OSCU 70	38	B20	2	U166	3	70-240	3	13464 Ruby	3	1
OSCU 95	42	B22	2	U247	2	70-240	3	13465 White	4	2
OSCU 120	42	B27	2	U249	2	70-240	3	13467 Blue	4	2
OSCU 150	47	B27	2	U249	2	70-240	3	13467 Blue	4	2
OSCU 185	51	B30	2	U251	3	70-240	3	-	-	2
OSCU 240	64	B32	2	U316	3	70-240	5	-	-	2
OSCU 300	51	B36	2	U317	3	70-240	4	-	-	-

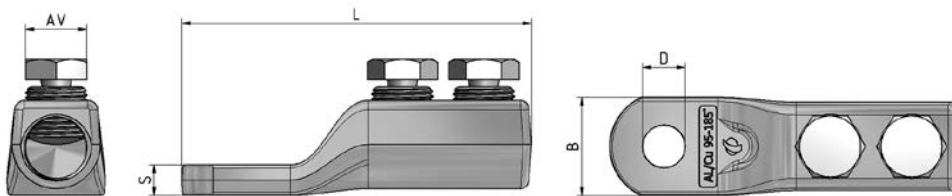
Shear bolt cable lug ROLA



ROLA shear bolt cable lugs are designed to be used with aluminium and copper cables. Joint is made with shear bolts, which makes installations permanent. Connectors are made of aluminium and plated with tin. Shear bolts are made of tin plated brass.



STK code	Product code	Product name	Conductor (mm ²)	Tightening torque	D (mm)	AV (mm)	L (mm)	B (mm)	S (mm)	Weight (g)	Package (pce/bag or box)
52 011 74	VB05-0001	ROLA 10-50 M12 Al-Cu	10-50	7-10 Nm	12,5	10	77	20	7	49	3
52 011 82	VB05-0002	ROLA 25-95 M12 Al-Cu	25-95	21-27 Nm	12,5	14	93	24	8	107	3
52 011 83	VB05-0003	ROLA 95-185 M12 Al-Cu	95-185	36-43 Nm	12,5	18	103	29	9	163	3
52 011 87	VB05-0004	ROLA 185-300 M12 Al-Cu	185-300	48-56 Nm	12,5	22	123	34	10	300	3



Shear bolt splice connector ORJA

ORJA shear bolt splice connector are designed for extending aluminium cables within the size range from 16 to 300 mm². Joint is made with shear bolts, which makes installations permanent.

Splice connectors are made of aluminium.



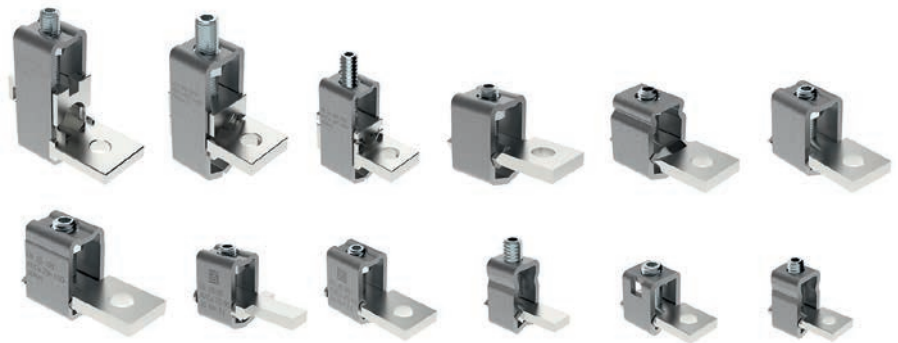
STK code	Product code	Product name	Conductor (mm ²)	Tightening torque	L (mm)	B (mm)	AV (mm)	Weight (g)	Package (pce/bag or box)
52 164 35	VB04-0001	ORJA 35	16-35	11-16 Nm	67	15.5	11	39	3
52 164 40	VB04-0002	ORJA 70	35-70	12-25 Nm	81	19	14	62	3
52 164 42	VB04-0003	ORJA 120	95-120	21-27 Nm	100	23.5	14	106	3
52 164 48	VB04-0004	ORJA 185	120-185	36-43 Nm	108	26	18	157	3
52 164 53	VB04-0005	ORJA 300	240-300	48-56 Nm	129	36	22	299	3



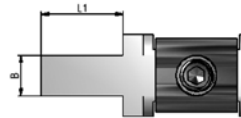
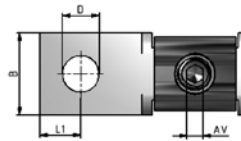
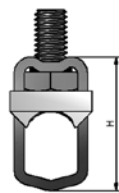
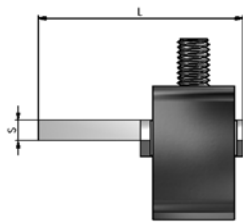
Universal connector - OL-series



Ouneva OL-connectors are designed for connecting aluminium and copper cables (6–300 mm²). Connectors are made of stainless steel and copper. Installation can be performed without any special tools.

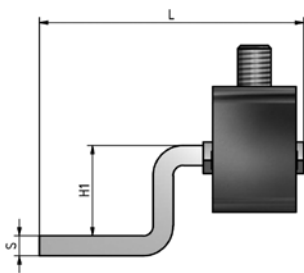


STK code	Product code	Product name	Conductor (mm ²)	In (A)	D (mm)	H (mm)	H1 (mm)	L (mm)	L1 (mm)	B (mm)	AV (mm)	S (mm)	Tightening torque	Weight (g)	Package (pce)
19 141 91	VC01-0002	OL 6-70	1xAl/Cu 6-70	270	7	30	-	37	7,5	15	4	4	5,6 Nm (6-70 mm ²)	44	30
19 141 92	VC01-0006	OL 6-70M	1xAl/Cu 6-70	270	7	23	-	37	7,5	15	4	4	5,6 Nm (6-70 mm ²)	36	30
19 141 97	VC01-0028	OL 6-70T	1xAl/Cu 6-70	270	-	30	-	38	18	10	4	4	5,6 Nm (6-70 mm ²)	44	30
19 123 87	VC01-0007	OL 6-70MZ	1xAl/Cu 6-70	270	7	23	15	46	8	15	4	4	5,6 Nm (6-70 mm ²)	47	30
19 141 93	VC01-0005	OL 25-95 D9	1xAl/Cu 25-95	320	9	33	-	50	13	20	4	5	20 Nm (25-95 mm ²)	76	15
19 123 86	VC01-0024	OL 25-95 D11	1xAl/Cu 25-95	320	11	33	-	50	13	20	4	5	20 Nm (25-95 mm ²)	74	15
19 141 98	VC01-0029	OL 25-95T	1xAl/Cu 25-95	320	-	33	-	50	20	10	4	5	20 Nm (25-95 mm ²)	69	15
19 120 15	VC01-0013	OL 25-150	1xAl/Cu 25-150	285	11	38	-	60	13,5	23	5	6	30 Nm (25-150 mm ²)	131	15
19 141 94	VC01-0017	OL 95-185	1xAl/Cu 95-185	400	11	40	-	66	17	25	5	6	40 Nm (95-185 mm ²)	142	15
19 123 38	VC01-0030	OL 95-240M D9	1xAl/Cu 95-240	400	9	40	27	61	12	25	5	6	40 Nm (95-240 mm ²)	142	15
19 141 87	VC01-0020	OL 95-240M D11	1xAl/Cu 95-240	400	11	40	-	61	12	25	5	6	40 Nm (95-240 mm ²)	140	15
19 141 95	VC01-0001	OL 185-300	1xAl/Cu 185-300	560	13	52	-	76	17	30	6	8	70 Nm (185-300 mm ²)	287	3
19 123 33	VC01-0009	OL 185-300Z	1xAl/Cu 185-300	560	13	52	-	87	16,5	30	6	8	70 Nm (185-300 mm ²)	350	3
19 120 19	VC01-0011	OL 2x(50-150)	2xAl/Cu 50-150	579	11	64	30	59	12	25	5	8	40 Nm (50-150 mm ²)	240	3
19 120 20	VC01-0014	OL 2x(95-240) D11	2xAl/Cu 95-240	806	11	78	-	60	13	30	6	8	70 Nm (95-240 mm ²)	345	3
19 123 57	VC01-0031	OL 2x(95-240) D13	2xAl/Cu 95-240	806	13	78	-	60	13	30	6	8	70 Nm (95-240 mm ²)	343	3
19 141 39	VC01-0019	OL 2x(185-300)	2xAl/Cu 185-300	800	13	91	-	85	20	38	6	8	70 Nm (185-300 mm ²)	544	3

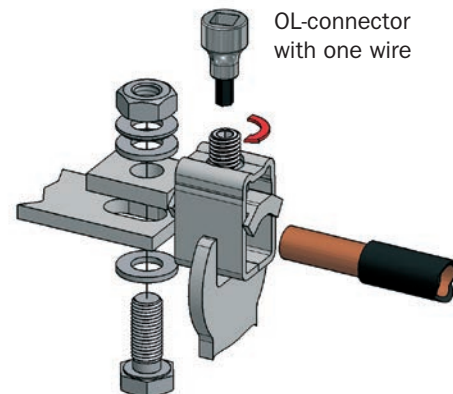


OL6-70T/OL25-95T

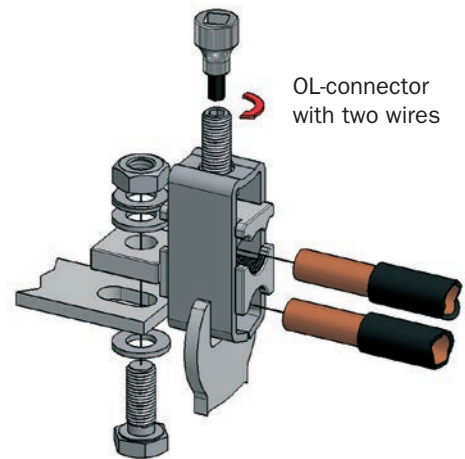
Installation



OL 6-70MZ / OL 70-185Z / OL 185-300Z



OL-connector with one wire



OL-connector with two wires

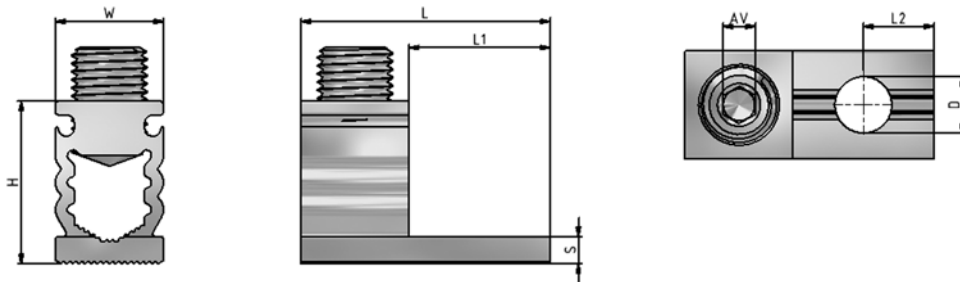
Universal connector - OT-series



Ouneva OT-connectors are designed for connecting aluminium and copper cables (1,5–300 mm²). Connectors are made of aluminium and plated with tin. Installation can be performed without any special tools.



STK code	Product code	Product name	Conductor (mm ²)	Un (V)	In (A)	L (mm)	L1 (mm)	L2 (mm)	W (mm)	H (mm)	D (mm)	S (mm)	AV (mm)	Tightening torque	Weight (g)	Package (pce)
19 123 04	VC02-0006	OT 1,5-50	1xAl/Cu 1,5-50	690	160	35	21	10,5	14	21,5	8,5	4	5	3,5 Nm (1,5-10 mm ²), 10 Nm (16-50 mm ²)	10	30
19 123 00	VC02-0001	OT 6-95	1xAl/Cu 6-95	690	245	46	26	13	20	30	10,5	5	6	12 Nm (6-35 mm ²), 22 Nm (50-95 mm ²)	22	30
19 123 01	VC02-0003	OT 16-120	1xAl/Cu 16-120	690	280	64	37	17	25	35	12,5	6	6	12 Nm (16-35 mm ²), 25 Nm (50-120 mm ²)	50	30
19 123 06	VC02-0013	OT 25-150	1xAl/Cu 25-150	690	280	62	35	15	26	39	12,5	7,25	6	14 Nm (25-150 mm ²), 30 Nm (70-150 mm ²)	58	20
19 123 05	VC02-0007	OT 35-240	1xAl/Cu 35-240	690	425	74	37	15	32	44	12,5	8	8	26 Nm (35-120 mm ²), 40 Nm (150-240 mm ²)	115	10
19 123 08	VC02-0015	OT 95-300	1xAl/Cu 95-300	690	490	64	36	18	32	48	12,5	10,5	6	33 Nm (95-185 mm ²), 60 Nm (240-300 mm ²)	134	10
19 123 03	VC02-0005	OT 2x(25-120)	2xAl/Cu 25-120	690	400	74	28	13	26	62	11	13	6	10 Nm (25-35 mm ²), 20 Nm (50-120 mm ²)	186	10
19 123 02	VC02-0004	OT 2x(70-240)	2xAl/Cu 70-240	690	630	99	35	15	38	70	13	13	8	35 Nm (70-120 mm ²), 45 Nm (150-240 mm ²)	456	10

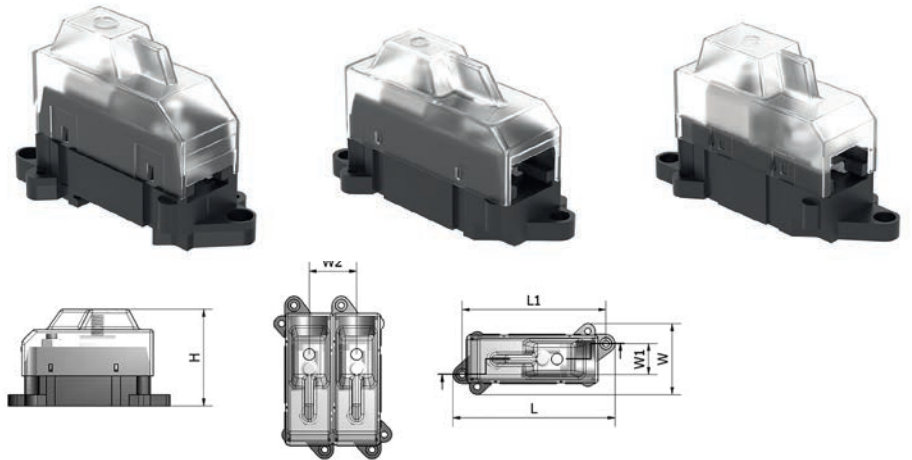


Insulated universal connector - OLE-series



Universal connectors with insulation. OLE connectors are same as OL-connectors (see page 16) but supplied with insulated mountings and covers.

Several connectors can be mounted alongside by fastening mountings with screws to each other. OLE-connectors have screw mounting.



STK code	Product code	Product name	Conductor (mm ²)	Un (V)	In (A)	L (mm)	L1 (mm)	H (mm)	W (mm)	W1 (mm)	W2 (mm)	Tightening torque	Weight (g)	Package (pce)
19 141 40	VC03-0001	OLE 25-95	1xAl/Cu 25-95	690	320	87	77	60	40	16,6	29	20 Nm (25-95 mm ²)	119	12
19 141 41	VC03-0002	OLE 95-185	1xAl/Cu 95-185	690	400	112	100	68	49	21,4	34	40 Nm (95-185 mm ²)	237	10
19 141 42	VC03-0003	OLE 185-300	1xAl/Cu 185-300	690	560	143	127	86	57	42	41	70 Nm (185-300 mm ²)	260	8

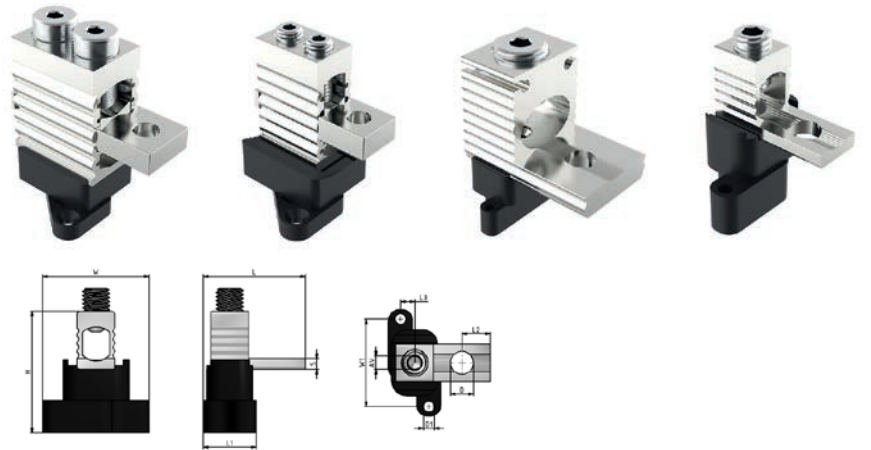
Insulated universal connector - OTE-series



Ouneva OTE-connectors are designed to be used when connecting aluminium and copper cables (1,5–300 mm²). Connectors are made of aluminium and plated with tin.

OTE-connectors are same products as OT-connectors (see page 17), but supplied with insulating mountings.

OTE-connectors have screw mounting. Several connectors can be mounted alongside by fastening mountings with screws to each other.



STK code	Product code	Product name	Conductor (mm ²)	Un (V)	In (A)	L (mm)	L1 (mm)	L2 (mm)	L3 (mm)	H (mm)	W (mm)	W1 (mm)	D (mm)	D1 (mm)	S (mm)	AV (mm)	Tightening torque	Weight (g)	Package (pce)
19 123 13	VC04-0007	OTE 1,5-50	1xAl/Cu 1,5-50	690	160	37,8	19,5	10,5	5,25	44,5	39,5	32,5	8,5	4	4	5	3,5 Nm (1,5-10 mm ²), 10 Nm (16-50 mm ²)	20	30
19 123 09	VC04-0003	OTE 6-95	1xAl/Cu 6-95	690	245	45,8	19,5	13	5,25	54	39,5	32,5	10,5	4	5	6	12 Nm (6-35 mm ²), 22 Nm (50-95 mm ²)	32	30
19 123 10	VC04-0004	OTE 16-120	1xAl/Cu 16-120	690	280	64	25,5	17	5,25	57	57,5	50,5	12,5	4	6	6	12 Nm (16-35 mm ²), 25 Nm (50-120 mm ²)	66	30
19 123 14	VC04-0008	OTE 25-150	1xAl/Cu 25-150	690	280	62	25,5	15	5,25	61	57,5	50,5	12,5	4	7,25	6	14 Nm (25-150 mm ²), 30 Nm (70-150 mm ²)	74	20
19 123 16	VC04-0010	OTE 35-240	1xAl/Cu 35-240	690	425	74	25,5	15	5,25	67,5	57,5	50,5	12,5	4	8	8	26 Nm (35-120 mm ²), 40 Nm (150-240 mm ²)	131	20
19 123 15	VC04-0009	OTE 95-300	1xAl/Cu 95-300	690	490	64	26	18	5,25	73	57,5	50,5	12,5	4	10,5	6	33 Nm (95-185 mm ²), 60 Nm (240-300 mm ²)	152	10
19 123 12	VC04-0006	OTE 2x(25-120)	2xAl/Cu 25-120	690	400	77	58	13	21	89	74	58	11	6	13	6	10 Nm (25-35 mm ²), 20 Nm (50-120 mm ²)	250	10
19 123 11	VC04-0005	OTE 2x(70-240)	2xAl/Cu 70-240	690	630	99	58	15	21	99	74	58	13	6	13	8	35 Nm (70-120 mm ²), 45 Nm (150-240 mm ²)	522	8

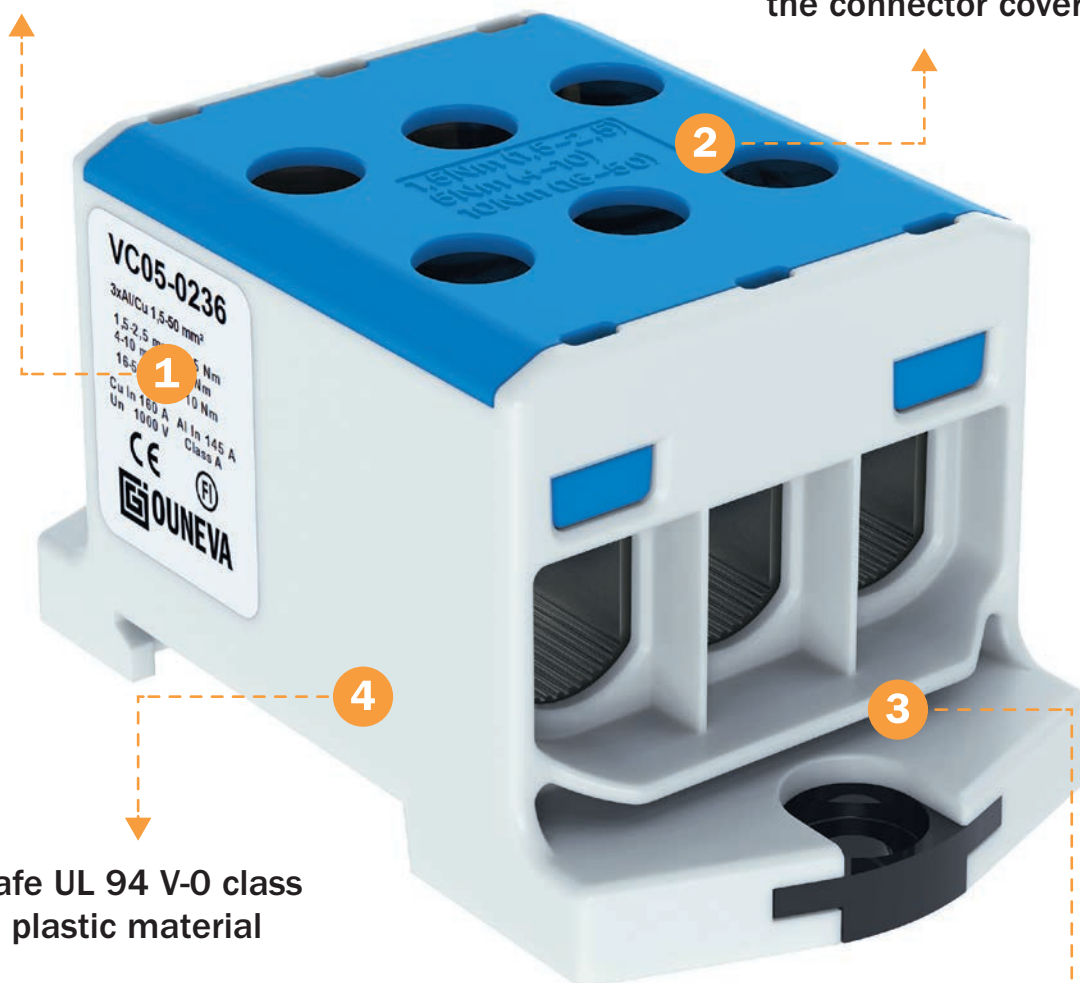
OTL connector family reformed

OTL universal connector family has been upgraded for versatile needs of electric power technology. New OTL 1000 V connector series offers the best quality, safety and installation features on the market.

FOUR REASONS TO CHOOSE OTL 1000 V

Higher 1000 V AC/DC voltage rating

Tightening torque labels on the connector cover



Safe UL 94 V-0 class plastic material

Easier installation with conductor input collars

Materiaaliluokitus UL94 testistandardin mukaan (pystysuora palotesti)

Materiaaliluokka	94V-0	94V-1	94V-2
Total flaming combustion for each specimen	≤ 10 sec	≤ 30 sec	≤ 30 sec
Total flaming combustion for all 5 specimens of any set	≤ 50 sec	≤ 250 sec	≤ 250 sec
Flaming and glowing combustion for each specimen after second burner flame application	≤ 30 sec	≤ 60 sec	≤ 60 sec
Cotton ignited by flaming drips from any specimen	No	No	Yes

Ouneva has focused on safety: Every OTL 1000 V connector is made of UL 94 V-0 class plastic material.

More power with same cross-section - Higher voltage rating helps pursuing energy efficiency. Many advantages of 1000 V AC/DC voltage include for example the new applications in the solar panel system and wind power connections.

Installation and quality are improved due to new conductor input collars and torque labeled on connector covers.

Insulated universal connector - OTL-series

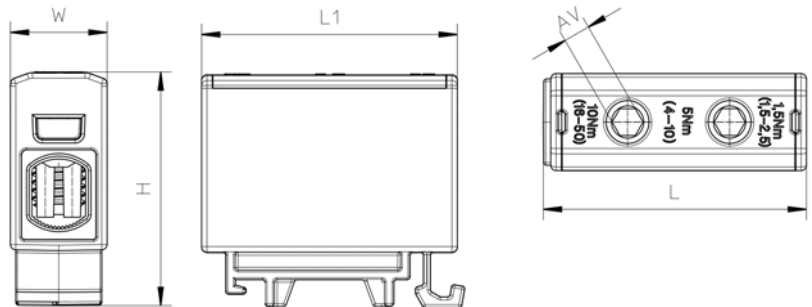


OTL-connectors 1xAl/Cu 1,5-50 mm²

Ouneva OTL-connectors are designed to be used when connecting and branching aluminium and copper cables.

Bodies of the connectors are made of aluminium and plated with tin. Insulating covers are made of plastic.

DIN-rail mounting.



STK code	Product code	Color	Conductor (mm ²)	Un (V)	In (A)	Tightening torque	L (mm)	L1 (mm)	H (mm)	W (mm)	AV (mm)	Weight (g)	Package (pce)
19 141 00	VC05-0010	Grey	1xAl/Cu 1,5-16	1000	82 (Cu)/ 75 (Al)	1,5 Nm (1,5 mm ²), 3,5 Nm (2,5-6 mm ²), 7 Nm (10-16 mm ²)	45	42	39,5	13,5	4	17	30
19 141 01	VC05-0001	Blue											
19 141 02	VC05-0045	Yellow / Green											
19 120 10	VC05-0140	Red											
19 120 14	VC05-0141	Black											
19 120 59	VC05-0191	Grey	1xAl/Cu 2,5-35	1000	135 (Cu)/ 120 (Al)	3 Nm (2,5-16 mm ²), 6 Nm (25-35 mm ²)	45	45	40	16	4	27	30
19 120 60	VC05-0192	Blue											
19 120 61	VC05-0193	Yellow / Green											
19 141 03	VC05-0013	Grey	1xAl/Cu 1,5-50	1000	160 (Cu)/ 145 (Al)	1,5 Nm (1,5-2,5 mm ²), 5 Nm (4-10 mm ²), 10 Nm (16-50 mm ²)	50	48	43	18	5	31	50
19 141 04	VC05-0046	Blue											30
19 141 05	VC05-0047	Yellow / Green											30
19 120 24	VC05-0142	Red											30
19 120 25	VC05-0143	Black											30

Certification and product safety

When choosing electrical connector, always make sure to select reliable and safe, certified connector. The requirements for connectors used with copper conductors inside switchgears and similar appliances are specified in standard EN 60947-7-1:2009. All connectors used inside switchgears or similar appliances must fulfil these requirements.

The requirements for connectors designated to be used with aluminium power cables are specified in standard EN 61238-1:2003. Connectors that have been tested and certified in accordance with standard EN 61238-1:2003 are divided into two classes.

- Class A (short circuit tested) - usage examples: feed-in connections, switchgears/appliances, universal
- Class B (not short circuit tested) - usage limited only to special circuits protected by fast-acting fuses

Ouneva OTL-connectors are tested and certified class A connectors, that are compatible with copper and aluminium conductors.

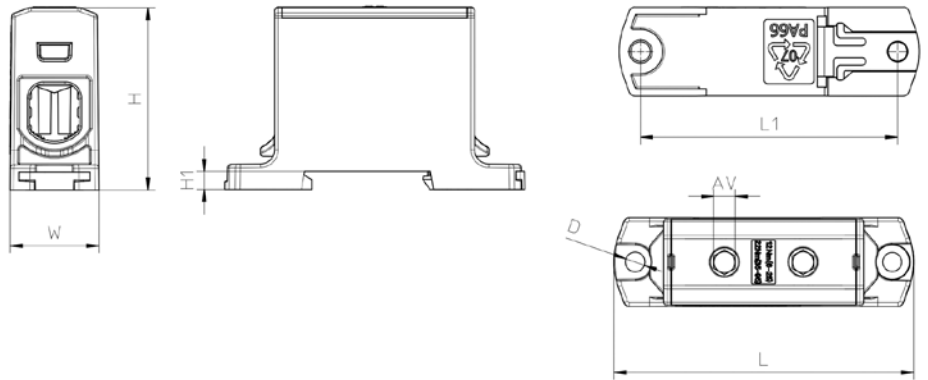
For choosing safe and reliable connector, always make sure that the terminal is equipped with CE and Class A markings with the symbol of certifying institute, for example FI -mark.

Insulated universal connector - OTL-series



OTL-connectors 1xAl/Cu 6-300 mm²

DIN-rail / screw mounting



STK code	Product code	Color	Conductor (mm ²)	Un (V)	In (A)	Tightening torque	L (mm)	L1 (mm)	H (mm)	H1 (mm)	W (mm)	AV (mm)	D (mm)	Weight (g)	Package (pce)
19 141 12	VC05-0019	Grey	1xAl/Cu 6-95	1000	245 (Cu)/ 220 (Al)	12 Nm (6-25 mm ²), 22 Nm (35-95mm ²)	84	72	51	5	25	6	5,5	68	20
19 141 13	VC05-0050	Blue													10
19 141 14	VC05-0051	Yellow / Green													10
19 120 26	VC05-0144	Red													10
19 120 27	VC05-0145	Black													10
19 141 18	VC05-0022	Grey	1xAl/Cu 16-120	1000	280 (Cu)/ 250 (Al)	12 Nm (16-35 mm ²), 25 Nm (50-120 mm ²)	84	72	53	5	30	6	5,5	90	30
19 141 19	VC05-0023	Blue													15
19 141 20	VC05-0024	Yellow / Green													15
19 141 24	VC05-0028	Grey	1xAl/Cu 25-150	1000	320 (Cu)/ 290 (Al)	14 Nm (25-50 mm ²), 30 Nm (70-150 mm ²)	84	72	54	5	31	6	5,5	103	20
19 141 25	VC05-0029	Blue													10
19 141 26	VC05-0030	Yellow / Green													10
19 141 30	VC05-0034	Grey	1xAl/Cu 35-240	1000	425 (Cu)/ 380 (Al)	26 Nm (35-120 mm ²), 40 Nm (150-240 mm ²)	106	94	65	5	37	8	5,5	194	10
19 141 31	VC05-0035	Blue													3
19 141 32	VC05-0036	Yellow / Green													3
19 123 70	VC05-0213	Grey	1xAl/Cu 95-300	1000	490 (Cu)/ 440 (Al)	30 Nm (95-150 mm ²), 45 Nm (185-300 mm ²)	106	94	65	5	37	8	5,5	212	3
19 123 71	VC05-0214	Blue													3
19 123 72	VC05-0215	Yellow / Green													3

Available
Q2 2017

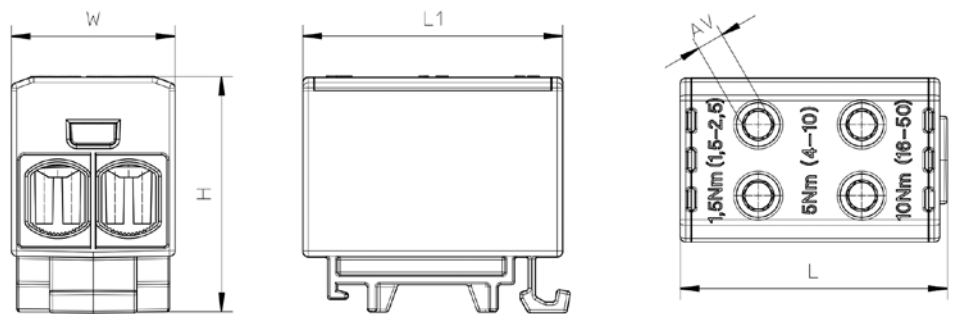
NEW

Insulated universal connector - OTL-series



OTL-connectors 2xAl/Cu 1,5-50 mm²

DIN-rail mounting,
branching connector



STK code	Product code	Color	Conductor (mm ²)	Un (V)	In (A)	Tightening torque	L (mm)	L1 (mm)	H (mm)	W (mm)	AV (mm)	Weight (g)	Package (pce)
19 120 73	VC05-0153	Grey	2xAl/Cu 2,5-35	1000	135 (Cu)/ 120 (Al)	3 Nm (2,5-16 mm ²), 6 Nm (25-35 mm ²)	46	45	40	27	4	44	18
19 120 74	VC05-0154	Blue											
19 120 75	VC05-0155	Yellow / Green											
19 141 06	VC05-0016	Grey	2xAl/Cu 1,5-50	1000	320 (Cu)/ 290 (Al)	1,5 Nm (1,5-2,5 mm ²), 5 Nm (4-10 mm ²), 10 Nm (16-50 mm ²)	49	48	43	30	5	51	15
19 141 07	VC05-0048	Blue											
19 141 08	VC05-0049	Yellow / Green											
19 120 29	VC05-0146	Red											
19 120 30	VC05-0147	Black											

Certification and product safety

When choosing electrical connector, always make sure to select reliable and safe, certified connector. The requirements for connectors used with copper conductors inside switchgears and similar appliances are specified in standard EN 60947-7-1:2009. All connectors used inside switchgears or similar appliances must fulfil these requirements.

The requirements for connectors designated to be used with aluminium power cables are specified in standard EN 61238-1:2003. Connectors that have been tested and certified in accordance with standard EN 61238-1:2003 are divided into two classes.

- Class A (short circuit tested) - usage examples: feed-in connections, switchgears/appliances, universal
- Class B (not short circuit tested) - usage limited only to special circuits protected by fast-acting fuses

Ouneva OTL-connectors are tested and certified class A connectors, that are compatible with copper and aluminium conductors.

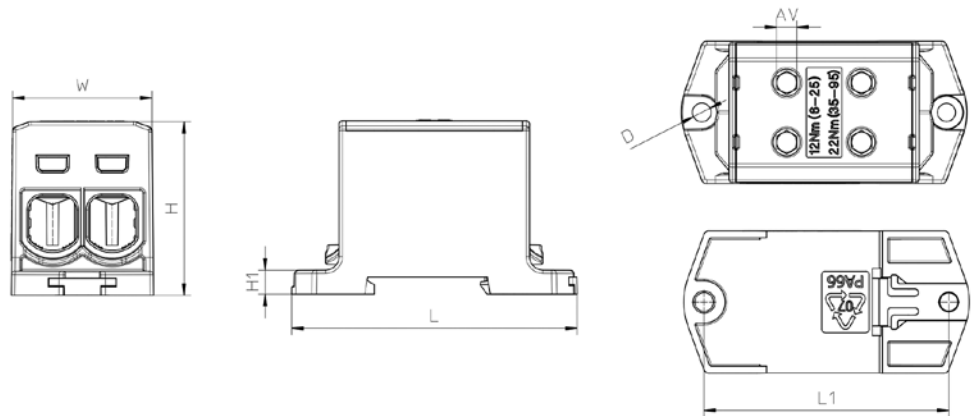
For choosing safe and reliable connector, always make sure that the terminal is equipped with CE and Class A markings with the symbol of certifying institute, for example FI -mark.

Insulated universal connector - OTL-series



OTL-connectors 2xAl/Cu 6-240 mm²

DIN-rail / screw mounting,
branching connector



STK code	Product code	Color	Conductor (mm ²)	Un (V)	In (A)	Tightening torque	L (mm)	L1 (mm)	H (mm)	H1 (mm)	W (mm)	AV (mm)	D (mm)	Weight (g)	Package (pce)
19 141 15	VC05-0042	Grey	2xAl/Cu 6-95	1000	490 (Cu)/ 440 (Al)	12 Nm (6-25 mm ²), 22 Nm (35-95mm ²)	84	72	51	5	42	6	5,5	121	30
19 141 16	VC05-0043	Blue													15
19 141 17	VC05-0044	Yellow / Green													15
19 120 38	VC05-0148	Red													15
19 120 39	VC05-0149	Black													15
19 141 21	VC05-0025	Grey	2xAl/Cu 16-120	1000	560 (Cu)/ 500 (Al)	12 Nm (16-35 mm ²), 25 Nm (50-120 mm ²)	84	72	54	5	51	6	5,5	154	10
19 141 22	VC05-0026	Blue													5
19 141 23	VC05-0027	Yellow / Green													5
19 141 27	VC05-0031	Grey	2xAl/Cu 25-150	1000	640 (Cu)/ 580 (Al)	14 Nm (25-50 mm ²), 30 Nm (70-150 mm ²)	84	72	54	5	51	6	5,5	165	10
19 141 28	VC05-0032	Blue													5
19 141 29	VC05-0033	Yellow / Green													5
19 141 33	VC05-0037	Grey													6
19 141 34	VC05-0038	Blue	2xAl/Cu 35-240	1000	850 (Cu)/ 760 (Al)	26 Nm (35-120 mm ²), 40 Nm (150-240 mm ²)	106	94	65	5	60	8	5,5	335	3
19 141 35	VC05-0039	Yellow / Green													3
19 123 67	VC05-0227	Grey													2xAl/Cu 95-300
19 123 68	VC05-0228	Blue	6												
19 123 69	VC05-0229	Yellow / Green	6												

Available
Q2 2017

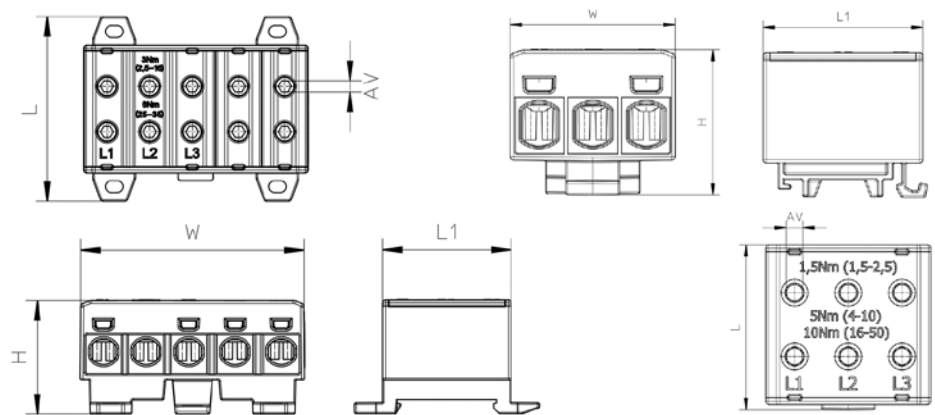
NEW

Insulated universal connector - OTL-series



Multiple pole OTL-connectors

DIN-rail mounting, 3- and 5-pole universal connector (screw mounting available for VC05-0012).



STK code	Product code	Color	Conductor (mm ²)	Un (V)	In (A)	Tightening torque	L (mm)	L1 (mm)	H (mm)	W (mm)	AV (mm)	Weight (g)	Package (pce)
19 120 97	VC05-0011	Grey (L1, L2, L3)	3xAl/Cu 2,5-35	1000	3x135 (Cu) / 3x120 (Al)	3 Nm (2,5-16 mm ²), 6 Nm (25-35 mm ²)	46	45	40	46	4	70	20
19 120 98	VC05-0012	Grey, Blue, Yellow/Green (L1, L2, L3, N, PE)	5xAl/Cu 2,5-35	1000	5x135 (Cu) / 5x120 (Al)	3 Nm (2,5-16 mm ²), 6 Nm (25-35 mm ²)	65	45	40	79	4	120	10
19 141 09	VC05-0054	Grey (L1, L2, L3)	3xAl/Cu 1,5-50	1000	3x160 (Cu) / 3x145 (Al)	1,5 Nm (1,5-2,5 mm ²), 5 Nm (4-10 mm ²), 10 Nm (16-50 mm ²)	49	48	43	49	5	81	20

OTL-connector kit

Connector kit includes connectors for all three phases, neutral (N) and for protective earth (PE).

Connectors are compatible with aluminium and copper cables with wire range of 1,5-50 mm². Connectors are DIN-rail mounted.



Contents of the connector kit:

Product code	Qty (pce)
VC05-0054	1
VC05-0046	1
VC05-0047	1

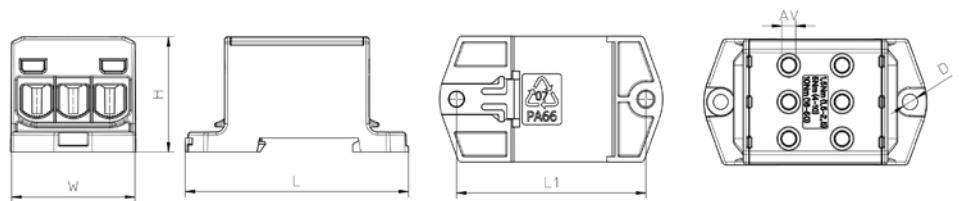
STK code	Product code	Package (pce)
19 120 01	VC05-0139	10

Insulated universal connector - OTL-series



OTL-connectors 3xAl/Cu 1,5-150 mm²

DIN-rail / screw mounting,
branching connector



STK code	Product code	Color	Conductor (mm ²)	Un (V)	In (A)	Tightening torque	L (mm)	L1 (mm)	H (mm)	W (mm)	AV (mm)	Weight (g)	Package (pce)
19 123 58	VC05-0233	Grey	3xAl/Cu 1,5-50	1000	160 (Cu) / 145 (Al)	1,5 Nm (1,5-2,5 mm ²), 5 Nm (4-10 mm ²), 10 Nm (16-50 mm ²)	79,5	67,5	40,8	44,6	5	109	20
19 123 59	VC05-0236	Blue											
19 123 60	VC05-0237	Yellow / Green											
19 123 61	VC05-0234	Grey	3xAl/Cu 6-95	1000	245 (Cu) / 220 (Al)	12 Nm (6-25 mm ²), 22 Nm (35-95mm ²)	83,8	72	51	58,5	6	178	6
19 123 62	VC05-0238	Blue											
19 123 63	VC05-0239	Yellow / Green											
19 123 64	VC05-0235	Grey	3xAl/Cu 25-150	1000	320 (Cu) / 290 (Al)	14 Nm (25-50 mm ²), 30 Nm (70-150 mm ²)	84	72	54	71,3	6	246	6
19 123 65	VC05-0240	Blue											
19 123 66	VC05-0241	Yellow / Green											

Available Q2 2017

NEW

Terminal shroud for OTL-connector

Terminal shrouds are insulation covers for OTL-connectors.
Terminal shrouds are compatible with all OTL-connectors
from 50 to 240 mm².

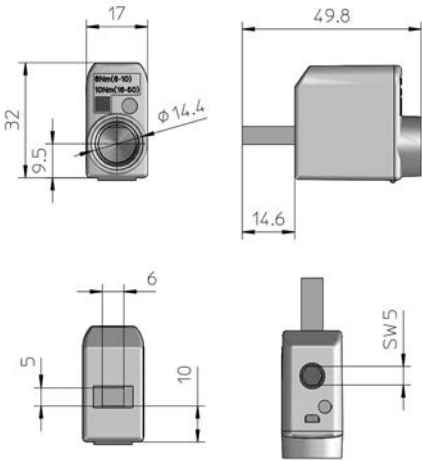
STK code	Product code	Product name	Weight (g)	Package (pce)
19 120 76	OD02-0564	Terminal shroud for OTL 50	0,7	100
19 120 77	OD02-0548	Terminal shroud for OTL 95	1,4	100
19 120 78	OD02-0550	Terminal shroud for OTL 120/150	1,6	100
19 120 79	OD02-0551	Terminal shroud for OTL 240	2,6	100



Device connectors

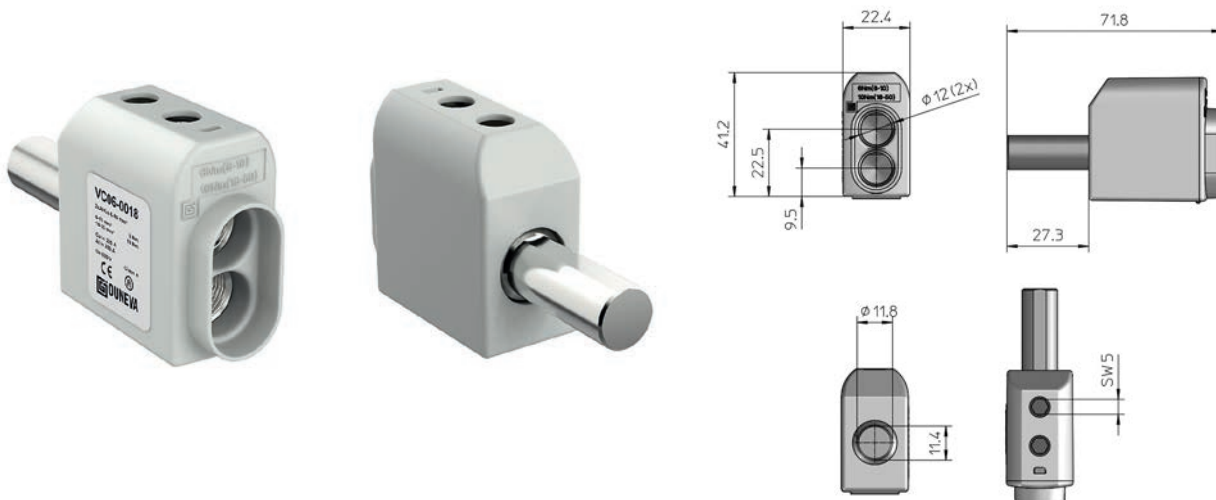


Device connectors are designed to be used with aluminium and copper cables. The material of the body and tightening screws is aluminium with tin plating. Plastic cover is made of self-extinguishing polyamide.



STK code	Product code	Product name*	Busbar type	Conductor (mm ²)	Un (V)	In (A)	Tightening torque	Weight (g)	Package (pce)	
19 123 17	VC06-0019	Device connector 50	Standard	1xAl/Cu 6-50	690	160 (Cu)/100 (Al)	6 Nm (6-10 mm ²), 10 Nm (16-50 mm ²)	22,8	50	
19 123 18	VC06-0014	Device connector 50 M	Standard	1xAl/Cu 6-50	690	160 (Cu)/100 (Al)	6 Nm (6-10 mm ²), 10 Nm (16-50 mm ²)	23,2	50	
NEW	19 123 80	VC06-0039	Device connector 1xAl/Cu 6-50 L	Left handed	1xAl/Cu 6-50	690	160 (Cu)/100 (Al)	6 Nm (6-10 mm ²), 10 Nm (16-50 mm ²)	22,8	50
	19 123 81	VC06-0038	Device connector 1xAl/Cu 6-50 R	Right handed	1xAl/Cu 6-50	690	160 (Cu)/100 (Al)	6 Nm (6-10 mm ²), 10 Nm (16-50 mm ²)	22,8	50
	19 123 82	VC06-0037	Device connector 1xAl/Cu 6-50 ML	Left handed	1xAl/Cu 6-50	690	160 (Cu)/100 (Al)	6 Nm (6-10 mm ²), 10 Nm (16-50 mm ²)	23,2	50
	19 123 83	VC06-0036	Device connector 1xAl/Cu 6-50 MR	Right handed	1xAl/Cu 6-50	690	160 (Cu)/100 (Al)	6 Nm (6-10 mm ²), 10 Nm (16-50 mm ²)	23,2	50

*Model specific clarifications
M = Model has connector for measurement



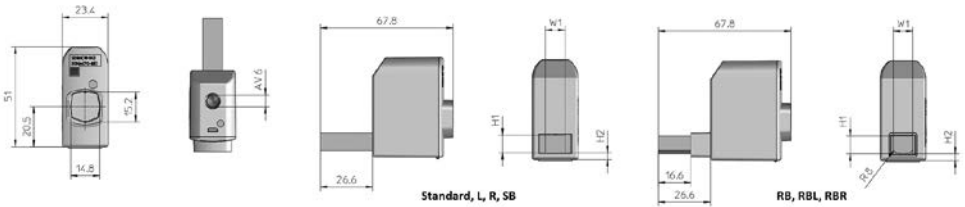
STK code	Product code	Product name*	Busbar type	Conductor (mm ²)	Un (V)	In (A)	Tightening torque	Weight (g)	Package (pce)
19 123 29	VC06-0018	Device connector 2x50 RB	Round bar	2xAl/Cu 6-50	690	320 (Cu)/250 (Al)	6 Nm (6-10 mm ²), 10 Nm (16-50 mm ²)	26,2	30

Device connectors



Device connector 1xAl/Cu 16-95 mm²

16–95 mm² device connector is available with seven different types of busbar.



STK code	Product code	Product name*	Busbar type	Conductor (mm ²)	Un (V)	In (A)	Tightening torque	W1 (mm)	H1 (mm)	H2 (mm)	Weight (g)	Package (pce)
19 123 20	VC06-0015	Device connector 1xAl/Cu 16-95 M	Standardi	16-95	690	230 (Cu)/180 (Al)	12 Nm (16-50 mm ²), 20 Nm (70-95 mm ²)	10	9	3,5	56	30
19 123 22	VC06-0016	Device connector 1xAl/Cu 16-95 RBM	Round bar	16-95	690	230 (Cu)/180 (Al)	12 Nm (16-50 mm ²), 20 Nm (70-95 mm ²)	10	9	3,5	58	30
19 123 24	VC06-0017	Device connector 1xAl/Cu 16-95 SBM	Screw bar	16-95	690	230 (Cu)/180 (Al)	12 Nm (16-50 mm ²), 20 Nm (70-95 mm ²)	16	9	3,5	58	30
19 123 19	VC06-0020	Device connector 1xAl/Cu 16-95	Standardi	16-95	690	230 (Cu)/180 (Al)	12 Nm (16-50 mm ²), 20 Nm (70-95 mm ²)	10	9	3,5	56	30
19 123 21	VC06-0021	Device connector 1xAl/Cu 16-95 RB	Round bar	16-95	690	230 (Cu)/180 (Al)	12 Nm (16-50 mm ²), 20 Nm (70-95 mm ²)	10	9	3,5	58	30
19 123 23	VC06-0022	Device connector 1xAl/Cu 16-95 SB	Screw bar	16-95	690	230 (Cu)/180 (Al)	12 Nm (16-50 mm ²), 20 Nm (70-95 mm ²)	16	9	3,5	58	30
19 123 25	VC06-0023	Device connector 1xAl/Cu 16-95 L	Left handed	16-95	690	230 (Cu)/180 (Al)	12 Nm (16-50 mm ²), 20 Nm (70-95 mm ²)	10	9	3,5	56	30
19 123 26	VC06-0024	Device connector 1xAl/Cu 16-95 R	Right handed	16-95	690	230 (Cu)/180 (Al)	12 Nm (16-50 mm ²), 20 Nm (70-95 mm ²)	10	9	3,5	56	30
19 123 27	VC06-0025	Device connector 1xAl/Cu 16-95 ML	Left handed	16-95	690	230 (Cu)/180 (Al)	12 Nm (16-50 mm ²), 20 Nm (70-95 mm ²)	10	9	3,5	56	30
19 123 28	VC06-0026	Device connector 1xAl/Cu 16-95 MR	Right handed	16-95	690	230 (Cu)/180 (Al)	12 Nm (16-50 mm ²), 20 Nm (70-95 mm ²)	10	9	3,5	56	30
19 123 34	VC06-0028	Device connector 1xAl/Cu 16-95 RBL	Left handed round bar	16-95	690	230 (Cu)/180 (Al)	12 Nm (16-50 mm ²), 20 Nm (70-95 mm ²)	10	9	3,5	56	30
19 123 35	VC06-0029	Device connector 1xAl/Cu 16-95 RBR	Right handed round bar	16-95	690	230 (Cu)/180 (Al)	12 Nm (16-50 mm ²), 20 Nm (70-95 mm ²)	10	9	3,5	56	30
19 123 36	VC06-0030	Device connector 1xAl/Cu 16-95 RBMR	Right handed round bar	16-95	690	230 (Cu)/180 (Al)	12 Nm (16-50 mm ²), 20 Nm (70-95 mm ²)	10	9	3,5	56	30
19 123 37	VC06-0031	Device connector 1xAl/Cu 16-95 RBML	Left handed round bar	16-95	690	230 (Cu)/180 (Al)	12 Nm (16-50 mm ²), 20 Nm (70-95 mm ²)	10	9	3,5	56	30

*Model specific clarifications
M = Model has connector for measurement

Device connector packages

Device connectors now available in sorted packages. Device connector package includes standard, left- and right-handed connectors. Measure connector option in M-models.



STK code	Product code	Product name	Contents	Package (pce)
19 123 84	VC06-0040	Device connector package 50 LCR	VC06-0019, VC06-0038, VC06-0039	Qty by order
19 123 85	VC06-0041	Device connector package 50 LCRM	VC06-0014, VC06-0037, VC06-0036	Qty by order
19 123 75	VC06-0034	Device connector package 95 LCR	VC06-0020, VC06-0023, VC06-0024	Qty by order
19 123 76	VC06-0035	Device connector package 95 LCRM	VC06-0015, VC06-0025, VC06-0026	Qty by order

OJL distribution blocks

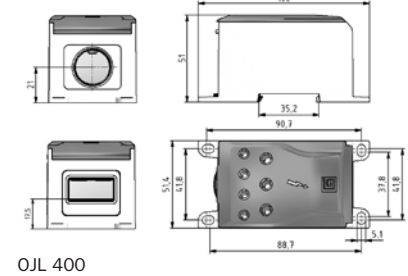
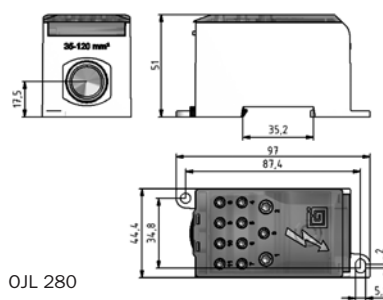
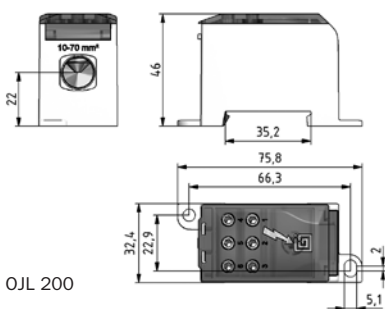


OJL distribution blocks are designed to be used when distributing power to several smaller wires. In all models, one input conductor can be installed, whereas the number of output conductors is six (6), seven (7) or 11 between the connector models.

The material of input cable can be aluminium or copper. Output wirings can be only done with copper conductors.

STK code	Product code	Product name*	Input conductor (mm ²)	Output conductor (mm ²)	Un (V)	In (A) Al/Cu	Tightening torque	Weight (g)	Package (pce)
19 120 09	VG03-0006	OJL 200	1xAl/Cu 10-70	6xCu 2,5-16	1000	160/200	3 Nm (2,5-16 mm ²), 6 Nm (25-35 mm ²), 10 Nm (50-70 mm ²)	84	24
19 120 08	VG03-0003	OJL 280	1xAl/Cu 35-120	2xCu 6-35, 5xCu 2,5-16, 4xCu 2,5-10	1000	250/280	3 Nm (2,5-16 mm ²), 6 Nm (25-35 mm ²), 10 Nm (50-70 mm ²), 19 Nm (95-120 mm ²)	178	12
19 120 93	VG03-0007	OJL 400 C	1xAl/Cu 95-240	4xCu 2,5-35, 3xCu 6-50	1000	380/425	6 Nm (2,5-35 mm ²), 10 Nm (6-50 mm ²), 25 Nm (95-240 mm ²)	250	8
19 120 94	VG03-0008	OJL 400 C S	1xAl/Cu 95-240	4xCu 2,5-35, 3xCu 6-50	1000	380/425	6 Nm (2,5-35 mm ²), 10 Nm (50-70 mm ²), 25 Nm (95-240 mm ²)	250	8
19 120 95	VG03-0009	OJL 400 FBB	Flexible busbar Cu 10x(1x25)	4xCu 2,5-35, 3xCu 6-50	1000	380/425	6 Nm (busbar), 6 Nm (2,5-35 mm ²), 10 Nm (6-50 mm ²)	247	8
19 120 96	VG03-0010	OJL 400 FBB S	Flexible busbar Cu 10x(1x25)	4xCu 2,5-35, 3xCu 6-50	1000	380/425	6 Nm (busbar), 6 Nm (2,5-35 mm ²), 10 Nm (6-50 mm ²)	247	8

*Clarification for model name: S = Model can be sealed



Certification and product safety

When choosing electrical connector, always make sure to select reliable and safe, certified connector. The requirements for connectors used with copper conductors inside switchgears and similar appliances are specified in standard EN 60947-7-1:2009. All connectors used inside switchgears or similar appliances must fulfil these requirements.

The requirements for connectors designated to be used with aluminium power cables are specified in standard EN 61238-1:2003. Connectors that have been tested and certified in accordance with standard EN 61238-1:2003 are divided into two classes.

- Class A (short circuit tested) - usage examples: feed-in connections, switchgears/appliances, universal
- Class B (not short circuit tested) - usage limited only to special circuits protected by fast-acting fuses

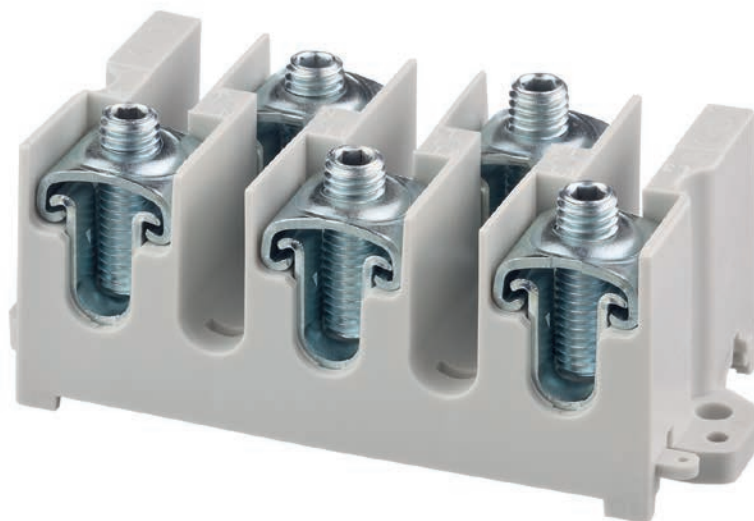
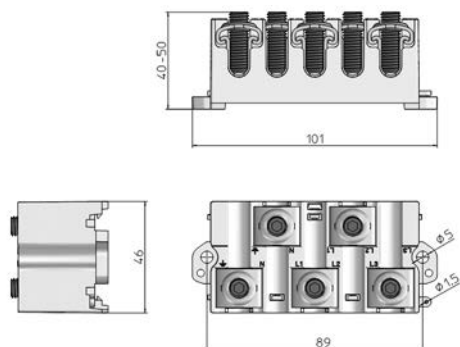
Ouneva OJL-connectors are tested and certified class A connectors, that are compatible with copper and aluminium conductors.

For choosing safe and reliable connector, always make sure that the terminal is equipped with CE and Class A markings with the symbol of certifying institute, for example FI -mark.

Terminal plate



Terminal plate is designed for connecting copper cables. Product is equipped with fastening snaps for insulating cover (available separately). Terminal plate can be mounted on DIN rail or with screws.



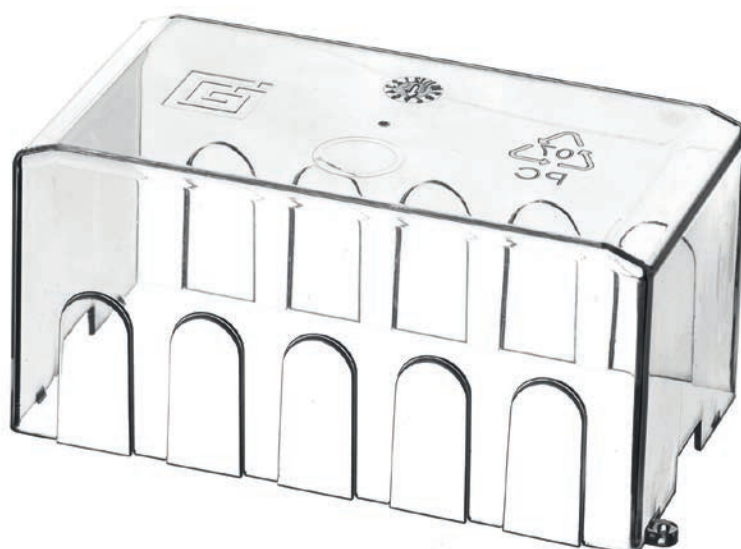
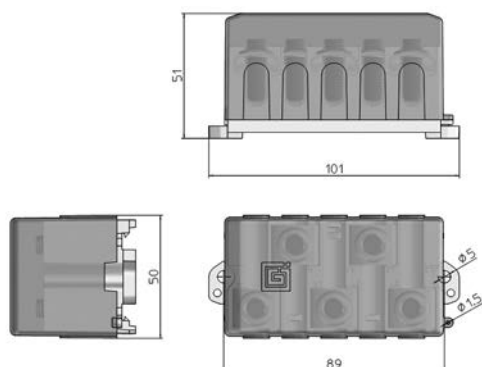
STK code	Product code	Conductor (mm ²)	Un (V)	In (A)	Tightening torque	Weight (g)	Package (pce)
19 141 47	VG01-0019	5xCu 2,5-16	690	124	3 Nm (2,5-6 mm ²), 5 Nm (10-16 mm ²)	145	50

Maximum number of conductors per one connection point.

Conductor (mm ²)	Conductors max (No.)	Tightening torque
Cu 2,5	8	3 Nm
Cu 4	6	3 Nm
Cu 6	6	3 Nm
Cu 10	4	5 Nm
Cu 16	2	5 Nm

Insulating cover

Insulating cover for terminal plate (IP20). Cover can be sealed to terminal plate.



STK code	Product code	Type	Weight (g)	Package (pce)
19 141 47	VG01-0019	Compatible with VG01-0019	145	50

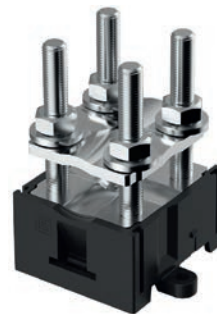
Branching blocks



VG02-0001



VG02-0002



VG02-0003



VG02-0004



VG02-0005



VG02-0006

Ouneva distribution blocks are designed to be used when connecting and branching copper cables. All models can be mounted on DIN rail or with screws.

STK code	Product code	Conductor (mm ²)	Un (V)	In (A)	Tightening torque	Weight (g)	Package (pce)
19 141 78	VG02-0001	Cu 6-70+kisko 2,5-70	750	270	3 Nm (2,5-70 mm ²)	145	15
19 141 79	VG02-0002	Cu 6-70	750	270	3 Nm (2,5-70 mm ²)	101	15
19 141 80	VG02-0003	Cu 35-240	750	560	12 Nm (35-240 mm ²)	250	15
19 141 81	VG02-0004	Cu 35-240+bracket 16-185	750	560/365	12 Nm (16-240 mm ²)	364	10
19 141 82	VG02-0005	Cu 35-150	750	400	15 Nm (35-150 mm ²)	173	15
19 141 83	VG02-0006	Cu 35-150+bracket 16-150	750	320	15 Nm (16-150 mm ²)	289	10

Copper plates

Plates are made of copper. Copper plates are used between conductors when connecting several different sizes of wires to branching block.

STK code	Product code	Product name	Compatibility	Weight (g)	Package (pce)
19 120 41	KG02-0012	Cu-plate 6-70	VG02-0001 and VG02-0002	6	100
19 120 53	KG02-0013	Cu-plate 35-240	VG02-0003 and VG02-0004	13	100

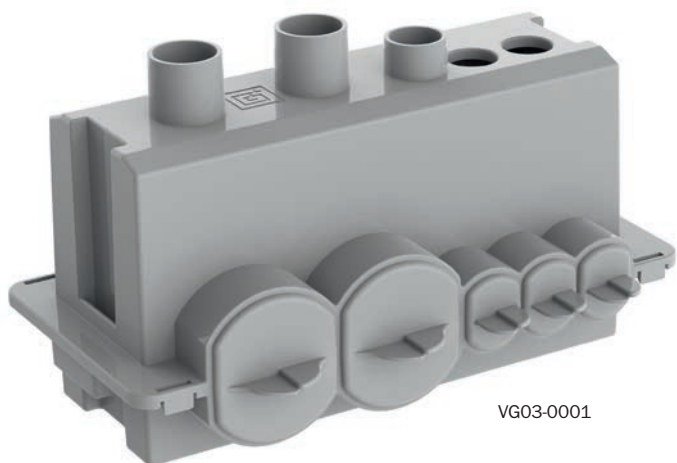
Side covers

Side covers are made of plastic. Covers are used to protect wires and insulate phases from each other.

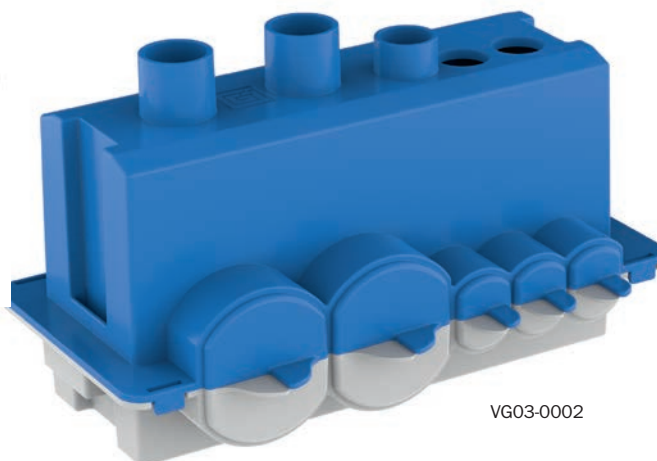
STK code	Product code	Product name	Compatibility	Weight (g)	Package (pce)
19 120 54	OD02-0508	Side cover 6-70	VG02-0001 and VG02-0002	13	100
19 120 56	OD02-0511	Side cover 35-240	VG02-0003, VG02-0004, VG02-0005 and VG02-0006	30	100



Universal branching connectors

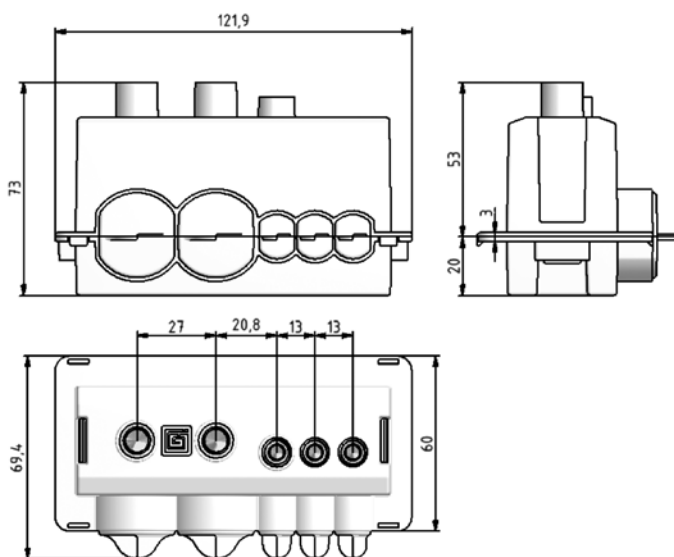


VG03-0001



VG03-0002

Branching connectors are designed to be used with both aluminium and copper cables in indoor and outdoor appliances. Insulated connector can be installed to the circuit with voltage on. Protection class IP 20.

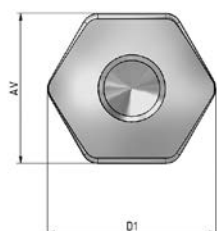
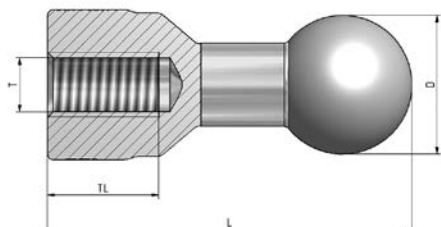


STK code	Product code	Color	Conductor (mm ²)	Un (V)	In (A) Cu/Al	Tightening torque	Weight (g)	Package (pce)
19 141 48	VG03-0001	Grey	Al/Cu 2x(70-240)+3x(16-50)	1000	425/380	10 Nm (16-50 mm ²), 24 Nm (70-150 mm ²), 38 Nm (150-240 mm ²)	132	20
19 141 77	VG03-0002	Blue	Al/Cu 2x(70-240)+3x(16-50)	1000	425/380	10 Nm (16-50 mm ²), 24 Nm (70-150 mm ²), 38 Nm (150-240 mm ²)	132	20

Grounding ball studs



Grounding ball studs for safety grounding appliances. Products are made of copper and electrolytically coated with tin. Grounding ball studs are tested and certified in accordance with the standard IEC/EN 61230 (5.7).

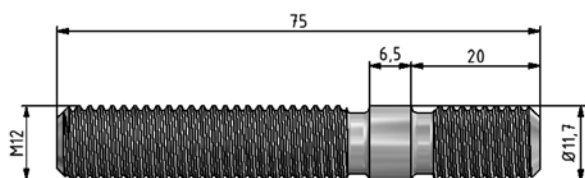


STK code	Product code	Type	T	TL (mm)	AV (mm)	D (mm)	D1 (mm)	L (mm)	Max short-circuit current	Weight (g)	Package (pce)
64 360 08	VI03-0010	20 mm ball / M12 screw hole	M12	16	27	20	27	58,6	23,7 kA/1s	178	20
64 360 09	VI03-0011	25 mm ball / M12 screw hole	M12	20	27	25	30	65,6	29,6 kA/1s	208	20
64 360 10	VI03-0012	30 mm ball / M12 screw hole	M12	20	27	30	30	71,1	29,6 kA/1s	262	20
64 146 07	VI03-0004	30 mm ball / M16 / 30° bend	M16	24	27	30	30	91	25 kA/1s	344	10

Adapters

Adapter M12 is compatible with M12 -threaded grounding ball stud models. Product is made of steel and plated with zinc.

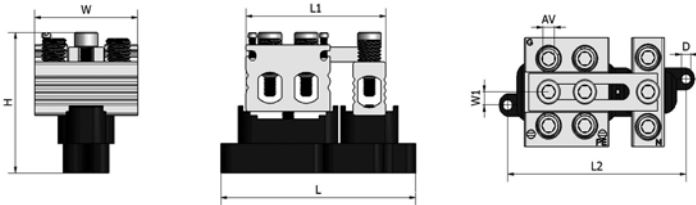
STK code	Product code	Type	Weight (g)	Package (pce)
64 360 11	VK01-0001	Screw adapter M12-M12	53	20



PEN-connectors



PEN-connector, TN-C (PEN) system can be transferred into TN-S (PE+N) system by removing connector block. Busbar components are made of aluminium and plated with tin. Terminal is designed to be used with both copper and aluminium cables. All connectors are equipped with two terminals for test leads. Connectors are screw mounted.



STK code	Product code	Product name	Conductor (mm ²)	Un (V)	L (mm)	L1 (mm)	L2 (mm)	H (mm)	W (mm)	W1 (mm)	AV (mm)	D (mm)	Tightening torque (Nm) - Conductors	Tightening torque (Nm) - Test leads	Weight (g)	Package (pce)
19 120 40	VI02-0001	OT-PEN 50	6xAl/Cu 1,5-50	690	83	60	76	57	44	5,25	5	4	1,5 Nm (1,5-2,5 mm ²), 5 Nm (4-16 mm ²), 10 Nm (25-50 mm ²)	3,5 Nm (1,5-4 mm ²)	174	9
19 120 34	VI02-0002	OT-PEN 95	6xAl/Cu 6-95	690	83	63,5	76	80	64	5,25	5	4	5 Nm (6-16 mm ²), 22 Nm (25-95 mm ²)	3,5 Nm (1,5-4 mm ²)	356	9
19 120 35	VI02-0003	OT-PEN 120	6xAl/Cu 16-120	690	120	81,5	104	87	64	21	6	6	5 Nm (16 mm ²), 26 Nm (25-120 mm ²)	3,5 Nm (1,5-4 mm ²)	573	5
19 120 36	VI02-0004	OT-PEN 150	6xAl/Cu 25-150	690	120	82	104	91	64	21	6	6	14 Nm (25-50 mm ²), 30 Nm (70-150 mm ²)	3,5 Nm (1,5-4 mm ²)	605	5
19 120 37	VI02-0005	OT-PEN 240	6xAl/Cu 35-240	690	134,9	104,5	119	101,6	64	21	8	6	26 Nm (35-120 mm ²), 40 Nm (150-240 mm ²)	3,5 Nm (1,5-4 mm ²)	813	5

Flexible PEN-connector

Flexible PEN-connector is designed to be installed in busbar connecting N- and PE-conductors. Connector is used in situations where flexibility makes the installation easier.



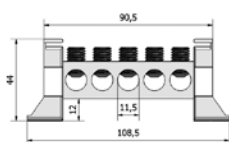
STK code	Product code	Product name	Conductor (mm ²)	Weight (g)	Package (pce)
54 080 00	VI01-0006	Flexible OL-PEN 2x(6-70)	2xAl/Cu 6-70	307	10

Potential equalizer busbars

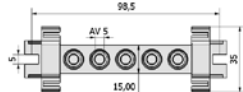
Potential equalizer busbars are used when connecting or assembling potential-equalizing cables. Bodies and tightening screws of busbars are made of aluminium and plated with tin. Busbar supports are made of self-extinguishing polyamide. Busbars are mounted by screws.



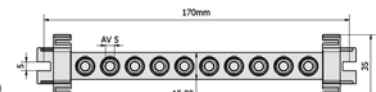
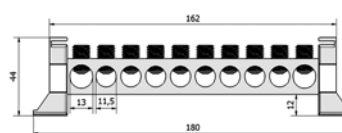
STK code	Product code	Conductor (mm ²)	Un (V)	Tightening torque	Weight (g)	Package (pce)
19 121 27	VE04-0001	5xAl/Cu 6-50	690	7 Nm (6-16 mm ²), 14 Nm (25-50 mm ²)	69	5
19 121 28	VE04-0002	2xAl/Cu 6-70+ 8xAl/CU 6-50	690	7 Nm (6-16 mm ²), 14 Nm (25-70 mm ²)	107	5



VE04-0001



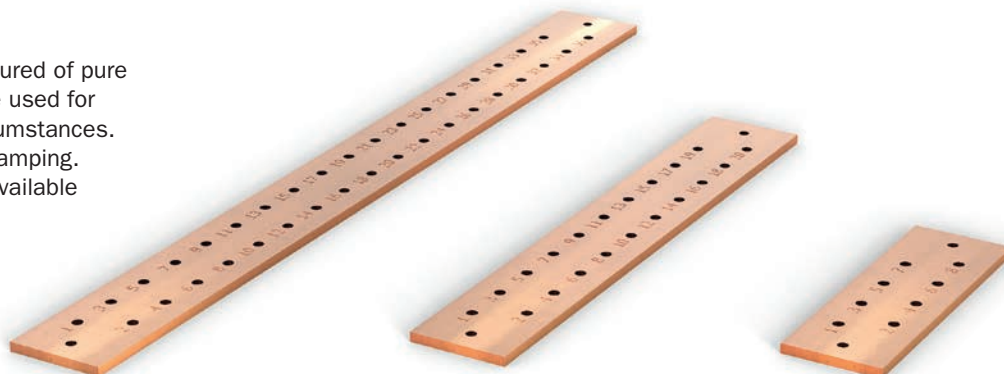
VE04-0002



Grounding busbar



Grounding busbars are manufactured of pure unplated copper. Busbars can be used for safety grounding in different circumstances. Connections are numbered by stamping. Insulator and fastening set are available separately.



STK code	Product code	Product name	L (mm)	W (mm)	H (mm)	Weight (g)	Package (pce)
1912379	AE06-1711	Grounding busbar 10x100x1600, 60 holes 11 mm	1600	100	10	13800	Qty by order
1912339	AE06-1680	Grounding busbar 10x100x1200, 44 holes 11 mm	1200	100	10	10420	Qty by order
1912340	AE06-1681	Grounding busbar 10x100x1000, 36 holes 11 mm	1000	100	10	8690	Qty by order
1912378	AE06-1710	Grounding busbar 10x100x750, 25 holes 11 mm	750	100	10	6500	Qty by order
1912341	AE06-1682	Grounding busbar 10x100x600, 20 holes 11 mm	600	100	10	5220	Qty by order
1912377	AE06-1709	Grounding busbar 10x100x450, 13 holes 11 mm	450	100	10	3900	Qty by order
1912342	AE06-1683	Grounding busbar 10x100x300, 8 holes 11 mm	300	100	10	2620	Qty by order
1912343	AE06-1684	Grounding busbar 10x80x1000, 36 holes 9 mm	1000	80	10	6970	Qty by order
1912344	AE06-1685	Grounding busbar 10x80x600, 20 holes 9 mm	600	80	10	4189	Qty by order
1912345	AE06-1686	Grounding busbar 10x80x300, 8 holes 9 mm	300	80	10	2100	Qty by order
1912346	AE06-1687	Grounding busbar 10x50x1000, 18 holes 11 mm	1000	50	10	4300	Qty by order
1912347	AE06-1688	Grounding busbar 10x50x600, 10 holes 11 mm	600	50	10	2580	Qty by order
1912348	AE06-1689	Grounding busbar 10x50x300, 4 holes 11 mm	300	50	10	1300	Qty by order
1912349	AE06-1690	Grounding busbar 10x50x200, 2 holes 11 mm	200	50	10	860	Qty by order



NEW

Insulator and fastening packages

Insulators are made of fiberglass reinforced polyamide. Fastening pieces are zinc plated steel. Package includes two insulators, four DIN933 M10x20 bolts and four DIN125 M10 flat pressure washers. Fastening package includes 10 pcs of DIN933x30 screws, 20 pcs of DIN125 flat pressure washers and 10 pcs of DIN934 nuts. Accessory sizes of M8 and M10 available.



STK code	Product code	Product name	Weight (g)	Package (pce)
19 123 54	AE08-0002	Insulator/fastening package for grounding busbars	349	Qty by order
19 123 73	AE09-0003	Fastening package for grounding busbars M8	250	Qty by order
19 123 74	AE09-0004	Fastening package for grounding busbars M10	463	Qty by order

NEW

IECEX / ATEX sealing plugs



IECEX/ATEX -sealing plugs are used for sealing threaded holes in the explosive environment. Nickel plated brass made sealing plugs are delivered with EPDM seal which ensures the perfect seal in extreme conditions. Sealing plugs are available from M12 to M75 threads.

STK code	Product code	Type	Weight (g)	Package (pce)
17 106 49	VD07-0014	Nickel plated brass sealing plug M12x1,5 IECEX/ATEX	3	50
17 106 50	VD07-0015	Nickel plated brass sealing plug M16x1,5 IECEX/ATEX	4	50
17 106 51	VD07-0016	Nickel plated brass sealing plug M20x1,5 IECEX/ATEX	8	30
17 106 52	VD07-0017	Nickel plated brass sealing plug M25x1,5 IECEX/ATEX	12	20
17 106 53	VD07-0018	Nickel plated brass sealing plug M32x1,5 IECEX/ATEX	18	15
17 106 54	VD07-0019	Nickel plated brass sealing plug M40x1,5 IECEX/ATEX	35	10
17 106 55	VD07-0020	Nickel plated brass sealing plug M50x1,5 IECEX/ATEX	56	9
17 106 57	VD07-0021	Nickel plated brass sealing plug M63x1,5 IECEX/ATEX	100	6
17 106 58	VD07-0022	Nickel plated brass sealing plug M75x1,5 IECEX/ATEX	355	Qty by order

Technical information	
Approvals	CE 0537
	II 2 G Ex eb IIC Gb
	II 2 D Ex tb IIIC Db
Sertificate number	VTT 15 ATEX 054X
	IECEX VTT 15.0017X
Material	Nickel plated brass / EPDM
IP-classification	IP66
Temperature range	-40...+80 °C

Reduction glands

Reduction glands can be used for reducing the size of the inlet. Reduction glands are compatible with Ouneva cable glands and flanges. The material of glands is nickel plated brass. Appropriate sealing is secured with the applied O-ring.

STK code	Product code	Product name	Outer thread	Inner thread	Weight (g)	Package (pce)
17 106 39	VK04-0006	Reduction gland M20/M16	M20x1,5	M16x1,5	18	Qty by order
17 106 40	VK04-0007	Reduction gland M25/M20	M25x1,5	M20x1,5	33	Qty by order
17 106 41	VK04-0009	Reduction gland M32/M25	M32x1,5	M25x1,5	57	Qty by order
17 106 43	VK04-0010	Reduction gland M40/M32	M40x1,5	M32x1,5	82	Qty by order
17 106 44	VK04-0011	Reduction gland M50/M40	M50x1,5	M40x1,5	163	Qty by order
17 106 45	VK04-0012	Reduction gland M63/M50	M63x1,5	M50x1,5	295	Qty by order
17 106 46	VK04-0002	Reduction gland M72/M63	M72x2,0	M63x1,5	308	Qty by order
17 106 47	VK04-0003	Reduction gland M75/M63	M75x1,5	M63x1,5	347	Qty by order

Cable terminal boxes



Cable terminal boxes consists of two base frames and is dismantable. Terminal's two rubber seals are designed to fit two different cable diameter ranges a) Ø 40-52 mm and b) Ø 48-60 mm. A single terminal can accomodate two cables. The cable terminal boxes are modular in design and are ATEX certified.

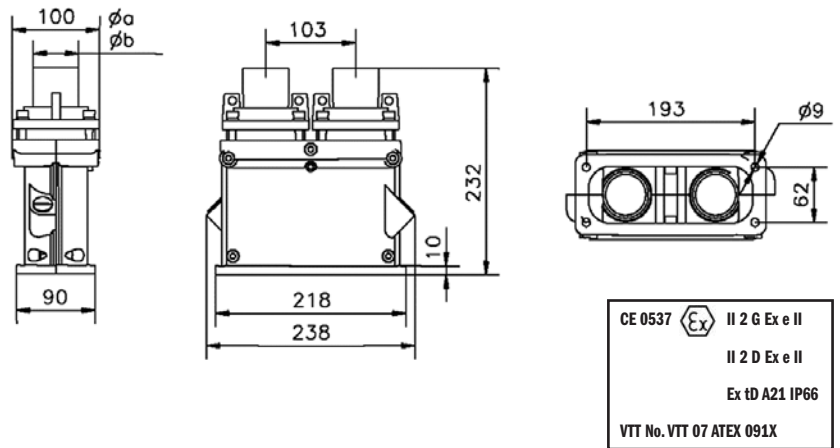
Accessories for cable terminal boxes: tension clamp, EMC kit, dismantable cover flange and acid-proof screws. The terminals can also be supplied with angled flanges (45°), which are used to change the angle of the incoming cables.



Cable terminal C-box

Cable terminal C-box

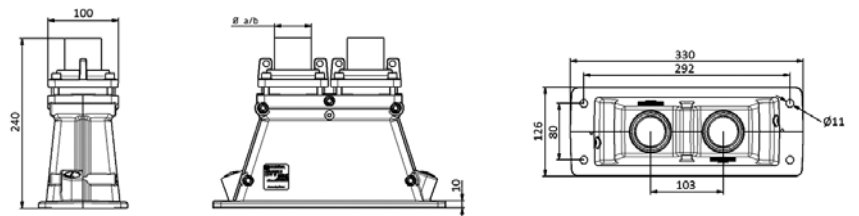
STK code	Product code	Type	Cable Ø range (mm)	Size of compatible cables (mm ²)	Flange	Number of cables	Weight (g)	Package (pce)	
17 106 34	VD03-0001	C/a	40-52	2x(120-185)	C (FL-21)	1-2	3,3	Qty by order	
17 106 31	VD03-0002	C/b	48-60	2x(185-300)	C (FL-21)	1-2	3,3	Qty by order	
17 106 37	VD03-0006	EMC kit for cable terminal boxes C and D							Qty by order
17 106 59	VD03-0015	Protection plate for terminal boxes C and D							Qty by order



Cable terminal D-box

Cable terminal D-box

STK code	Product code	Type	Cable Ø range (mm)	Size of compatible cables (mm ²)	Flange	Number of cables	Weight (g)	Package (pce)	
17 106 32	VD03-0003	D/a	40-52	2x(120 - 185)	D (FL-33)	1-2	3,8	Qty by order	
17 106 33	VD03-0004	D/b	48-60	2x(185 - 300)	D (FL-33)	1-2	3,8	Qty by order	
17 106 37	VD03-0006	EMC kit for cable terminal boxes C and D							Qty by order
17 106 59	VD03-0015	Protection plate for terminal boxes C and D							Qty by order



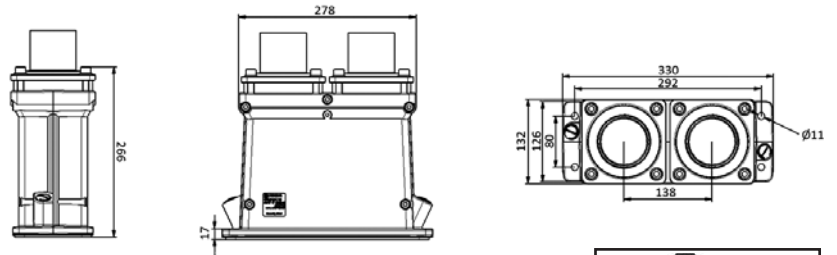
Cable terminal boxes



Cable terminal D2-box

Cable terminal D2-box

STK code	Product code	Type	Cable Ø range (mm)	Size of compatible cables (mm ²)	Flange	Number of cables	Weight (g)	Package (pce)
17 106 35	VD03-0005	D2	57-80	2x(185-300)	D (FL-33)	1-2	7,0	Qty by order
17 106 38	VD03-0007	EMC kit for cable terminal D2-box						Qty by order
17 106 60	VD03-0014	Protection plate for terminal D2-box						Qty by order



CE 0537 II 2 G Ex e II
 II 2 D Ex e II
 Ex tD A21 IP66
 VTT No. VTT 07 ATEX 091X

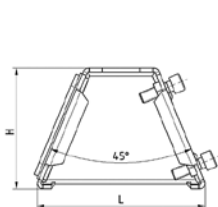
Angle flanges

Alters the angle of incoming cables by 45°. Angle flanges are compatible with Ouneva aluminium flanges and cable terminal boxes.

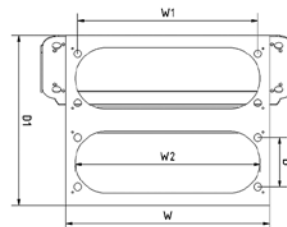
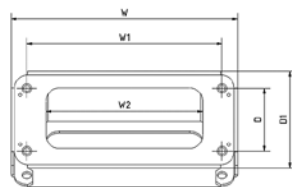


STK code	Product code	Product name	Flange size: input	Flange size: output	L (mm)	H (mm)	Weight (g)	Package (pce)
34 010 77	VD04-0001	Angle flange C-C	C	C	125	90	1,6	Qty by order
34 010 78	VD04-0002	Angle flange D-D	D	D	168	128	3,1	Qty by order
34 010 79	VD04-0003	Angle flange E-D	E	D	168	139	3,3	Qty by order
34 010 80	VD04-0004	Angle flange E-2D	E	2xD	251	278	6,8	Qty by order
34 542 25	VD04-0005	Angle flange E-3D	E	3xD	542	400	20,2	Qty by order

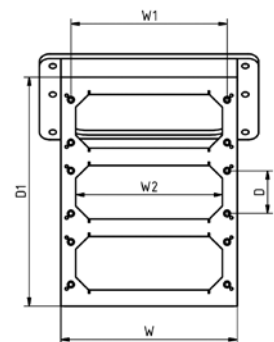
Flange size	D (mm)	d1 (mm)	W (mm)	W1 (mm)	W2 (mm)
C	62	96	224	193	155
D	80	137	342	292	250
2 x D	80	276	330	292	300
3 x D	80	423	330	292	274
E	100	150	410	360	320



VD04-0001, VD04-0002, VD04-0003



VD04-0004



VD04-0005

Flanges for switchgears



Flanges are made of aluminium and supplied with neoprene gasket. All aluminium flanges have class IP67 protection.

Blind aluminium flanges

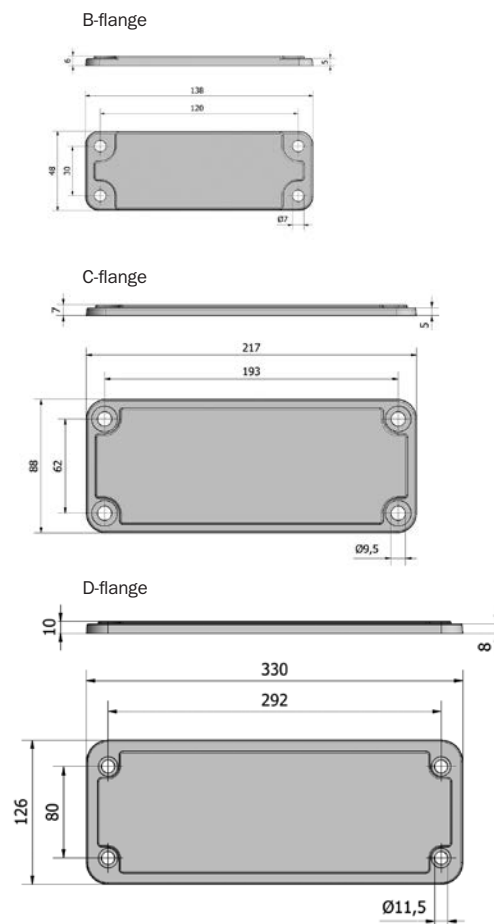
Blind aluminium flange, no threaded holes or openings.

STK code	Product code	Type / size	Weight (g)	Package (pce)
34 010 81	VD05-0060	B-flange	90	10
34 010 82	VD05-0061	C-flange	288	10
34 010 83	VD05-0062	D-flange	806	5

Aluminium flanges with threaded holes

Flanges are compatible with Ouneva sealing plugs, **check out page 35**. Counter nuts are not necessary during the installation of sealing plugs or cable glands.

STK code	Product code	Type / size	Weight (g)	Package (pce)
34 540 68	VD05-0075	B 1xM40	72	10
34 010 86	VD05-0067	B 2xM40	54	10
34 010 52	VD05-0043	B 3xM20	74	10
34 010 85	VD05-0066	B 3xM32	55	10
34 010 53	VD05-0044	B 4xM25	56	10
34 540 76	VD05-0045	C 2xM40	252	10
34 540 77	VD05-0069	C 2xM50	231	10
34 010 66	VD05-0070	C 2xM63	198	10
34 540 79	VD05-0046	C 2xM63+2xM20	187	10
34 010 63	VD05-0068	C 3xM32	253	10
34 010 64	VD05-0028	C 3xM40	233	10
34 540 81	VD05-0047	C 3xM50+2xM20	192	10
34 010 62	VD05-0048	C 4xM20	266	10
34 010 06	VD05-0077	C 4xM32+3xM25	216	10
34 010 04	VD05-0029	C 7xM25+2xM20	217	10
34 540 82	VD05-0078	D 1xM75	724	5
34 010 75	VD05-0051	D 2xM50	733	5
34 010 76	VD05-0071	D 2xM63	690	5
34 540 86	VD05-0053	D 2xM75	642	5
34 540 87	VD05-0054	D 3xM63+2xM25	615	5
34 540 89	VD05-0055	D 4xM63+2xM20	563	5



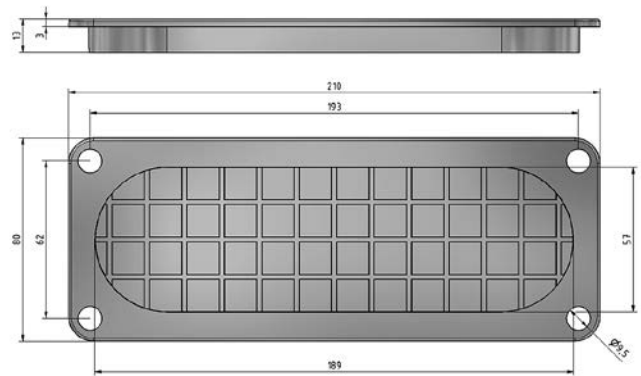
Flanges for switchgears



Plastic flanges

Blind plastic flanges are used inside switchgears for insulating purposes.

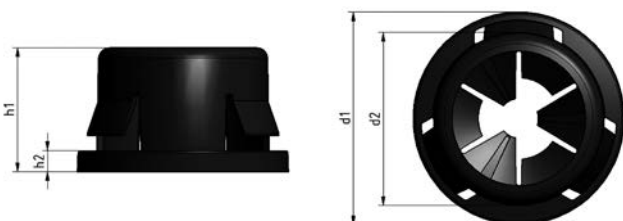
STK code	Product code	Type / size	Diameter of mounting holes (mm)	Weight (g)	Package (pce)
34 541 53	VD06-0001	C-flange	6	39	150
34 541 54	VD06-0002	C-flange	9,5	37	150



Socket joints

Socket joints are used for cable entry wirings.

STK code	Product code	External diameter of the cable (mm)	Total diameter - d1 (mm)	Diameter of the installation hole - d2 (mm)	Thickness of the mounting plate (mm)	Total height - h1 (mm)	h2 (mm)	Weight (g)	Package (pce)
33 501 76	OD06-0016	8-13	25	20	0,7-2	17	3	1,5	150
33 501 77	OD06-0017	8-15	30	25	0,7-2	17,5	3	2,9	100



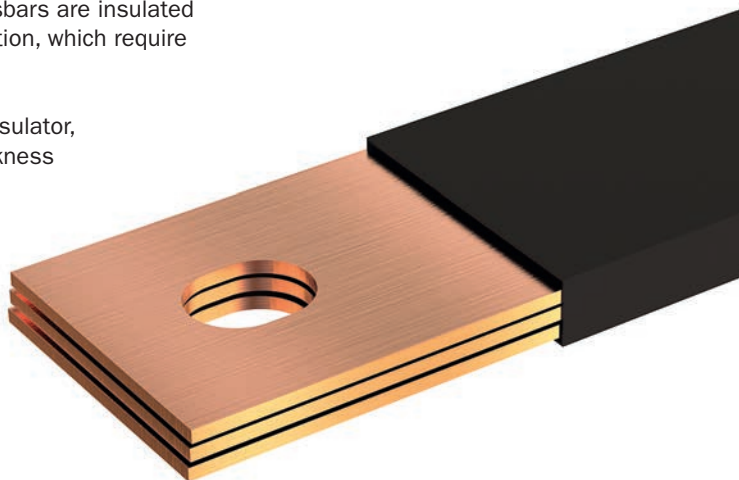
Flexible busbars



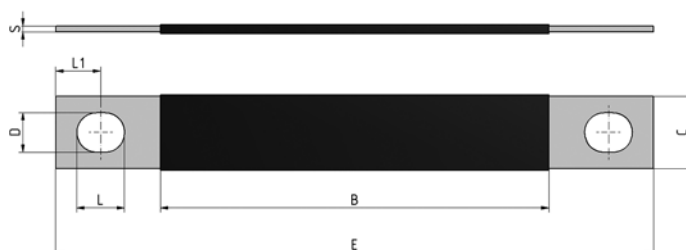
Flexible busbars conform to the EN-60439-1 standard. Busbars are insulated and designed for distribution boards and electrical installation, which require them to be economic on space and easy to bend.

Because of extremely high flexibility and durability of the insulator, the smallest bending radius of the busbar is $3 \cdot \text{total thickness}$ with bending angle of 180° . The material of the insulator is PVC.

We also supply flexible busbars with special requirements for installation holes and other dimensions.



STK code	Product code	Product name	In (A)	Cross-sectional area (mm ²)	E (mm)	C (mm)	S (mm)	B (mm)	D/L (mm)	L1 (mm)	Weight (g)	Package (pce)
34 540 04	VE01-0001	TVK 100A 1x24x400mm Cu	100	24	400	24	1	330	11/14	14	172	Qty by order
34 540 02	VE01-0008	TVK 100A 1x24x600mm Cu	100	24	600	24	1	530	11/14	14	267	Qty by order
34 540 00	VE01-0004	TVK 100A 1x24x2000mm Cu	100	24	2000	24	1	1930	11/14	14	933	Qty by order
34 540 13	VE01-0019	TVK 160A 2x24x400mm Cu	160	48	400	24	2	330	11/14	14	261	Qty by order
34 540 11	VE01-0021	TVK 160A 2x24x600mm Cu	160	48	600	24	2	530	11/14	14	401	Qty by order
34 540 09	VE01-0015	TVK 160A 2x24x2000mm Cu	160	48	2000	24	2	1930	11/14	14	1379	Qty by order
34 540 25	VE01-0042	TVK 250A 3x24x400mm Cu	250	72	400	24	3	330	11/14	14	350	Qty by order
34 540 23	VE01-0044	TVK 250A 3x24x600mm Cu	250	72	600	24	3	530	11/14	14	534	Qty by order
34 540 20	VE01-0125	TVK 250A 3x24x1000mm Cu	250	72	1000	24	3	930	11/14	14	903	Qty by order
34 540 19	VE01-0024	TVK 250A 3x24x2000mm Cu	250	72	2000	24	3	1930	11/14	14	1825	Qty by order
34 540 37	VE01-0030	TVK 400A 5x32x400mm Cu	400	160	400	32	5	300	13/16	20	682	Qty by order
34 540 35	VE01-0032	TVK 400A 5x32x600mm Cu	400	160	600	32	5	500	13/16	20	1041	Qty by order
34 540 32	VE01-0126	TVK 400A 5x32x1000mm Cu	400	160	1000	32	5	900	13/16	20	1759	Qty by order
34 540 31	VE01-0047	TVK 400A 5x32x2000mm Cu	400	160	2000	32	5	1900	13/16	20	3554	Qty by order
34 540 45	VE01-0037	TVK 550A 5x40x400mm Cu	550	200	400	40	5	300	13/16	20	846	Qty by order
34 540 43	VE01-0039	TVK 550A 5x40x600mm Cu	550	200	600	40	5	500	13/16	20	1290	Qty by order
34 540 41	VE01-0034	TVK 550A 5x40x2000mm Cu	550	200	2000	40	5	1900	13/16	20	4398	Qty by order
34 540 55	VE01-0053	TVK 630A 6x40x400mm Cu	630	240	400	40	6	300	13/16	20	991	Qty by order
34 540 53	VE01-0056	TVK 630A 6x40x600mm Cu	630	240	600	40	6	500	13/16	20	1509	Qty by order
34 540 50	VE01-0061	TVK 630A 6x40x1000mm Cu	630	240	1000	40	6	900	13/16	20	2544	Qty by order
34 540 49	VE01-0050	TVK 630A 6x40x2000mm Cu	630	240	2000	40	6	1900	13/16	20	5131	Qty by order
34 540 60	VE01-0122	TVK 800A 10x40x1000mm Cu	800	400	1000	40	10	900	13/16	20	4008	Qty by order
34 540 59	VE01-0123	TVK 800A 10x40x2000mm Cu	800	400	2000	40	10	1900	13/16	20	8062	Qty by order
34 540 64	VE01-0085	TVK 1000A 11x50x1000mm Cu	1000	550	1000	50	11	900	13/16	20	5435	Qty by order



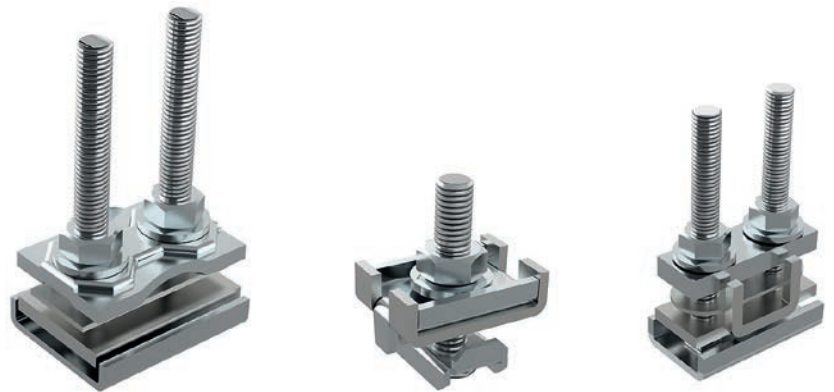
Busbar system connectors



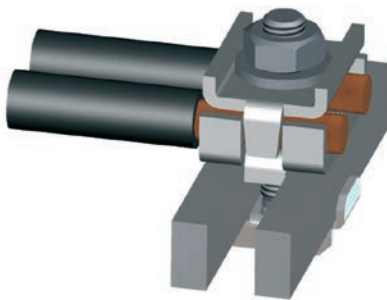
Connectors are designed for busbar systems to be installed on their side. Material of the busbars can be copper, aluminium or copper coated aluminium.

With these connectors it is possible to connect copper cables, flexible busbars and other conductors to busbar systems.

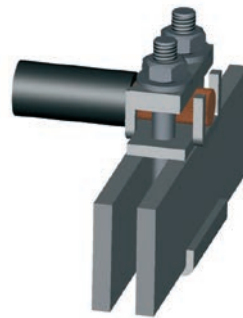
Matching support piece is needed if neutral (N) and protective earth busbar (PE) are combined. We also manufacture busbar connectors supplied with screws of custom length.



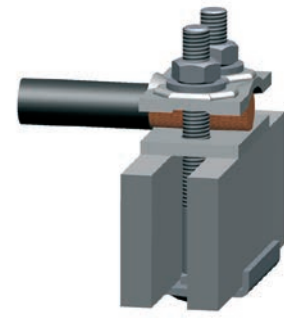
STK code	Product code	Product name	Conductors max (mm ²)	Weight (g)	Package (pce)
19 141 49	VE02-0009	KL2M10	150	141	100
19 141 89	VE02-0003	KL400	70	85	100
19 141 90	VE02-0004	KL800	185	208	100



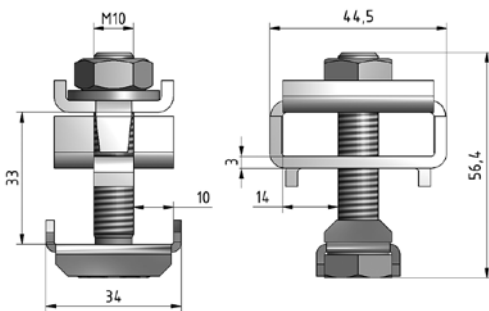
KL2M10 installation



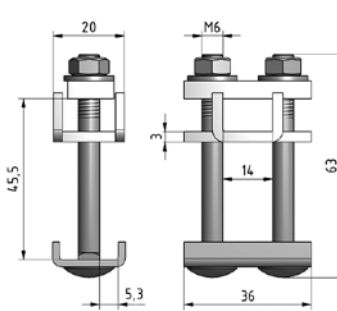
KL400 installation



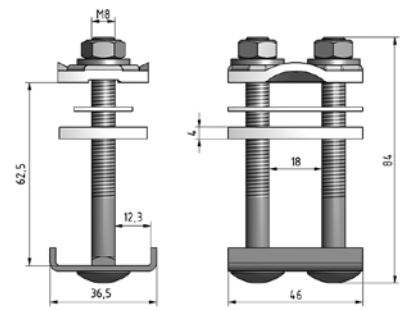
KL800 installation



KL2M10



KL400

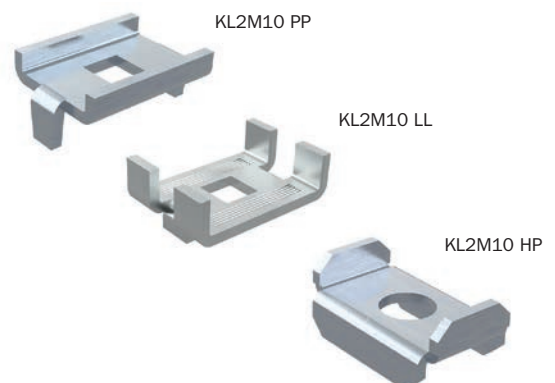


KL800

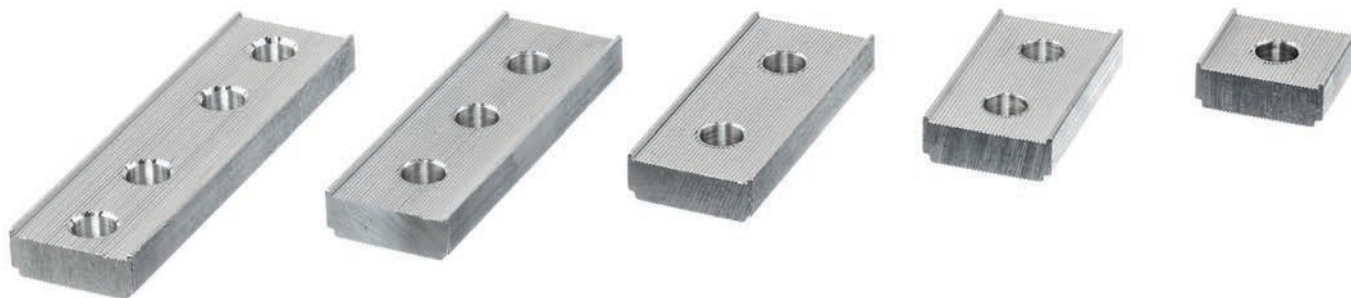
Accessories

Components are similar to the KL2M10 connector. Gives possibility for client to build connectors for their own requirements.

STK code	Product code	Product name	Type	Material	Weight (g)	Package (pce)
19 141 86	VE02-0010	KL2M10 PP	Press plate	Zinc plated steel	33	100
19 141 85	VE02-0011	KL2M10 LL	Connector plate	Tin plated copper	42	100
19 141 84	VE02-0012	KL2M10 HP	Hinge plate	Zinc plated steel	15	100



Aluminium connection rails

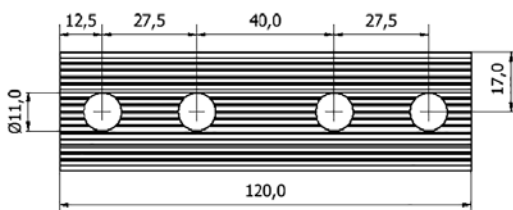
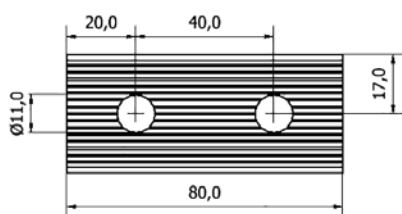
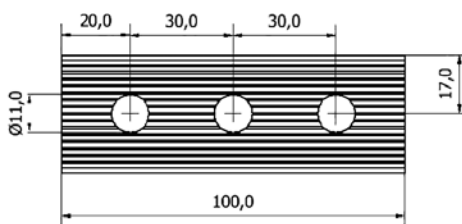
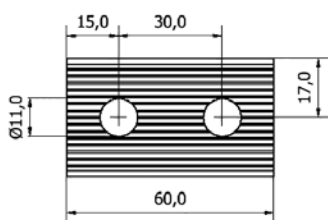
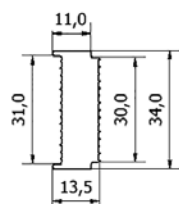
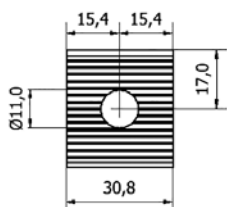


Aluminium connection rails are made for connecting different kinds of busbars.

Unplated connectors can be used for connecting aluminium busbars.

Tin plated busbar connectors are suitable for connecting aluminium and copper busbars.

STK code	Product code	Product name	Material	Weight (g)	Package (pce)
19 122 07	VE06-0004	Alipa 30	Aluminium	28	100
19 122 08	VE06-0005	Alipa 60	Aluminium	56	50
19 122 09	VE06-0006	Alipa 80	Aluminium	75	50
19 122 10	VE06-0007	Alipa 100	Aluminium	94	50
19 122 11	VE06-0008	Alipa 120	Aluminium	111	25
19 122 13	VE06-0009	Alipa 30, tin plated	Tin plated aluminium	28	100
19 122 14	VE06-0010	Alipa 60, tin plated	Tin plated aluminium	56	50
19 122 15	VE06-0011	Alipa 80, tin plated	Tin plated aluminium	75	50
19 122 16	VE06-0012	Alipa 100, tin plated	Tin plated aluminium	94	50
19 122 17	VE06-0013	Alipa 120, tin plated	Tin plated aluminium	111	25



Overhead line accessories (AMKA-series)



AMKA-products are designed for 0,4 kV overhead line systems. Nordic climate conditions and easiness of use have been considered in design. Products are tested and approved to meet the IEC regulations.

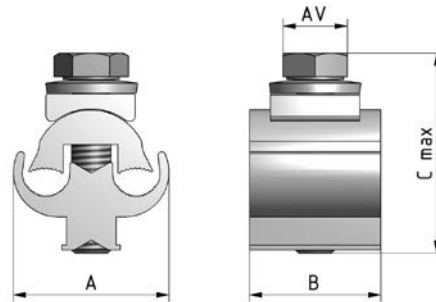
STK code	Product code	Type	Conductor (mm ²)	A (mm)	B (mm)	C (mm)	Insulating cover	Tightening torque	AV (mm)	Weight (g)	Package (pce)
50 403 25	VF01-0001	Al/Al 16-50 mm ²	16-50	32	26.5	44	VF03-0001	22 Nm (16-50 mm ²)	13	50	200
50 403 27	VF01-0002	Al/Al 16-120 mm ²	16-120	44	43	53	VF03-0002	22 Nm (16-120 mm ²)	13	125	50
50 403 66	VF01-0003	Al/Al 16-120 mm ² with springs	16-120	44	43	53	VF03-0002	22 Nm (16-120 mm ²)	13	125	50

Aluminium-Aluminium parallel groove clamps

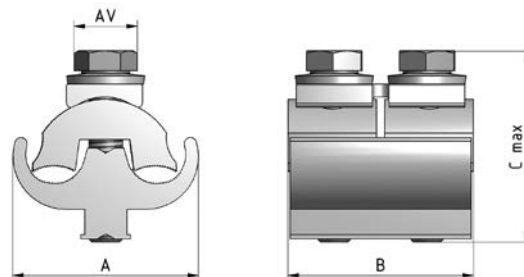
Clamps are used for the connecting and branching of aerial and other aluminium conductors in applications where no mechanical load is existent.

Clamps are made of aluminium and the steel bolts are hot-dip galvanized.

All contact surfaces of the clamps are pretreated with contact grease, which makes installation easier. Clamp VF01-0003 is supplied with springs those make installation easier (clamp stays open if not tightened). Clamps can be supplied with insulating covers (see page 44).



VF01-0001



VF01-0002/VF01-0003

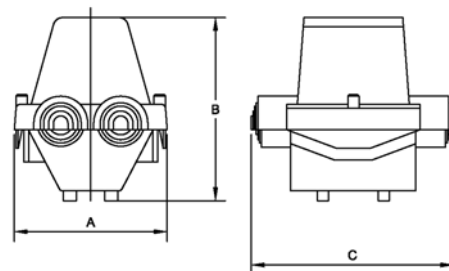
Overhead line accessories (AMKA-series)



Insulating covers for parallel groove clamps

Insulating covers are used to protect and insulate parallel groove clamps against corrosion and moisture.

Covers are made of black, UV-radiation resistant plastic.

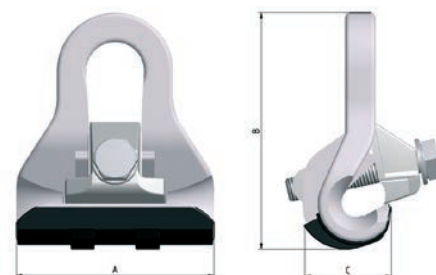


STK code	Product code	Type	A (mm)	B (mm)	C (mm)	Weight (g)	Package (pce)
50 403 40	VF03-0001	Insulating cover 16-50mm ²	45	55	61	12	200
50 403 41	VF03-0002	Insulating cover 16-120mm ²	56	67	90	26	100

Suspension clamp

Suspension clamp is used for suspension of wires in overhead lines for straight line sections and angles up to 90°.

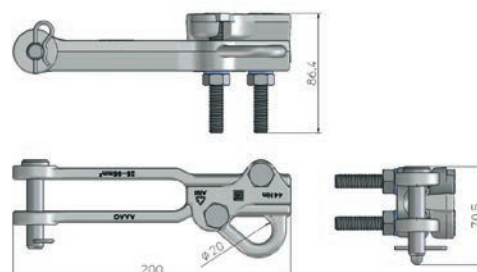
The clamp is made of aluminium and steel parts are hot-dip galvanized. Clamp has a plastic cover part at the bottom that prevents wires to get damaged.



STK code	Product code	Type	A (mm)	B (mm)	C (mm)	AV (mm)	Tightening torque	Weight (g)	Package (pce)
50 403 45	VF04-0001	Suspension clamp 25-95 mm ²	85	110	40	17	50 Nm (25-95 mm ²)	255	50

Dead-end clamp

Dead-end clamp is used for ending overhead lines to poles or walls. The clamp is made of aluminium and steel parts are hot-dip galvanized.



STK code	Product code	Type	Tightening torque	Weight (g)	Package (pce)
50 403 47	VF05-0002	Dead-end clamp 25-95 mm ²	44 Nm (25-95 mm ²)	528	25

Marking devices

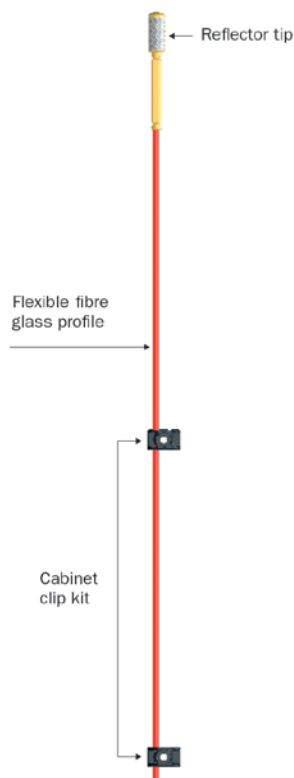
Marking devices are suitable for different kinds of marking purposes in nature as well as in urban environment. The devices can be used for marking underground cables, pipes and sewers. Also the electric switching gears and pump stations can be easily marked with the devices.

The marking device body is made of flexible fiber glass and the reflector of 3M Scotchlite reflective tape. Yellow plastic head is made of PeHD thermoplastic polymer which has an excellent UV durability.

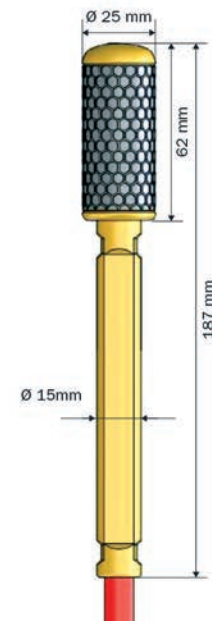
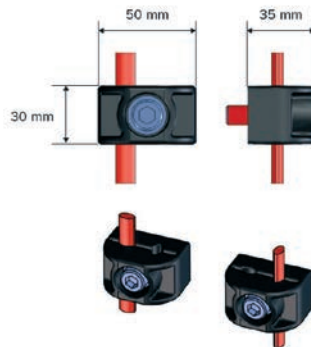


Switchgear marking devices

STK code	Product code	Product name	Weight (g)	Package (pce)
64 360 12	VK07-0006	Switchgear marking device 1200	337	100
64 360 13	VK07-0007	Switchgear marking device 1600	371	100
64 360 24	VK07-0008	Switchgear marking device 2000	406	100



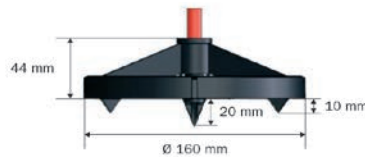
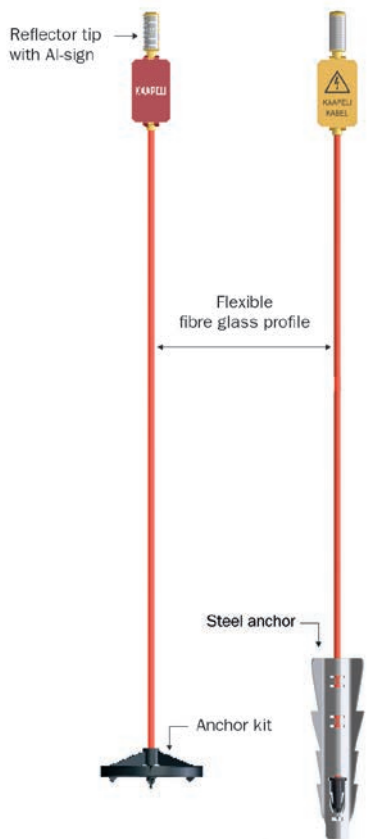
Included accessories:
 – Plastic fastening pieces
 – Screws for M8/M10 fixation



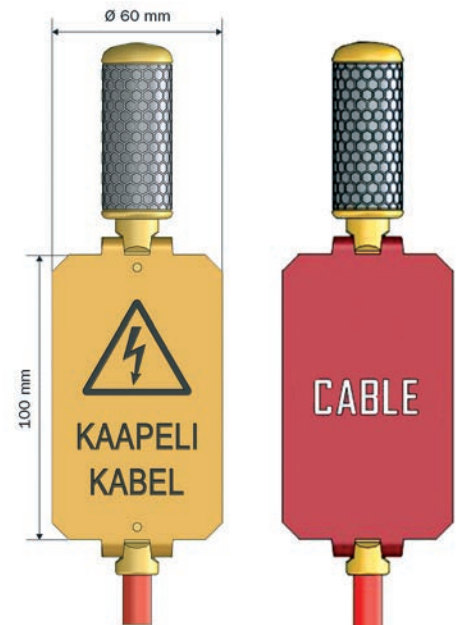
Marking devices

Cable marking devices

STK code	Product code	Product name	Marking plate color	Weight (g)	Package (pce)
64 360 14	VK07-0010	Cable marking device 1600	Red	367	100
64 360 15	VK07-0011	Cable marking device 2000	Red	406	100
64 360 16	VK07-0013	Cable marking device 1600	Yellow	367	100
64 360 17	VK07-0014	Cable marking device 2000	Yellow	406	100
64 360 18	VK07-0019	Cable marking device 1600 with steel anchor	Red	597	100
64 360 19	VK07-0020	Cable marking device 2000 with steel anchor	Red	632	100
64 360 20	VK07-0016	Cable marking device 1600 with steel anchor	Yellow	597	100
64 360 21	VK07-0017	Cable marking device 2000 with steel anchor	Yellow	632	100

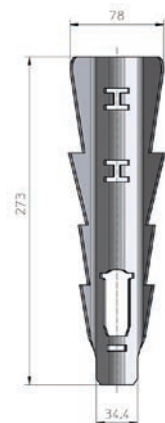
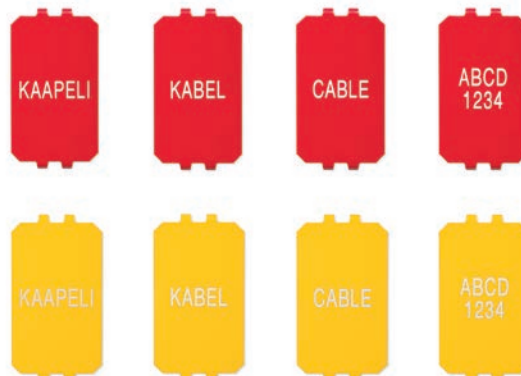


- Included accessories:**
- Aluminium marking plate
 - Plastic or zinc plated steel anchor



Custom made marking plates are available. Marking plates are made of powder coated laser marked aluminium. Also the length of fibre glass profile could be customized to the customers needs.

Ask for more information from Ouneva sales!



Enclosure latches

Compression latch PG 13,5 Zn

Compression latch PG 13,5 is equipped with 5 mm closing range. Bodies of latches are made of zinc and plated with nickel. Cam is made of zinc coated steel. Sealing is ensured with O-ring.



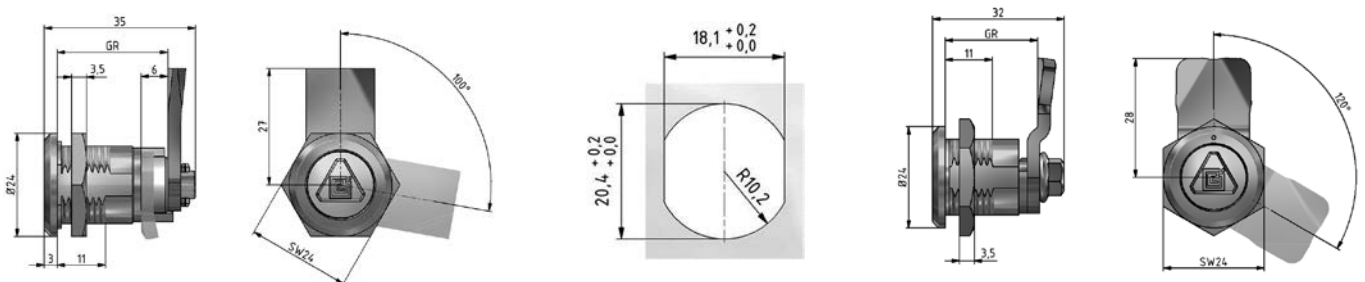
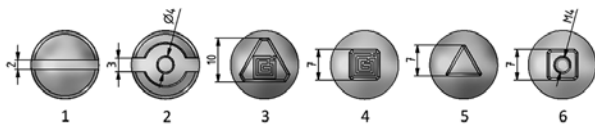
Turn cam latch PG 13,5 Zn

Turn cam latch latch PG 13,5 is available with several key inserts and closing ranges. Bodies of latches are made of zinc and plated with nickel. Cam is made of zinc coated steel. Sealing is ensured with O-ring.



STK code	Product code	Closing range (mm)	Key insert	Weight (g)	Package (pce)
34 541 16	VH01-0026	20-25	3	55	100
34 541 17	VH01-0027	25-30	3	55	100
34 541 18	VH01-0028	30-35	3	55	100
34 541 19	VH01-0029	35-40	3	60	100
34 541 20	VH01-0030	20-25	4	55	100
34 541 21	VH01-0031	25-30	4	55	100
34 541 22	VH01-0032	30-35	4	55	100
34 541 23	VH01-0033	35-40	4	60	100
34 541 24	VH01-0034	20-25	1	55	100
34 541 25	VH01-0035	25-30	1	55	100
34 541 26	VH01-0036	30-35	1	55	100
34 541 27	VH01-0037	35-40	1	60	100
34 541 28	VH01-0038	20-25	2	55	100
34 541 29	VH01-0039	25-30	2	55	100
34 541 30	VH01-0040	30-35	2	55	100
34 541 31	VH01-0041	35-40	2	60	100
34 541 32	VH01-0042	20-25	5	55	100
34 541 33	VH01-0043	25-30	5	55	100
34 541 34	VH01-0044	30-35	5	55	100
34 541 35	VH01-0045	35-40	5	60	100
34 541 49	VH01-0051	20-25	6	55	100
34 541 50	VH01-0052	25-30	6	55	100
34 541 51	VH01-0053	30-35	6	55	100
34 541 52	VH01-0054	35-40	6	60	100

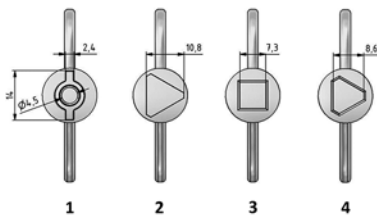
STK code	Product code	Closing range (mm)	Key insert	Weight (g)	Package (pce)
34 540 91	VH01-0001	20	3	55	100
34 540 92	VH01-0002	22	3	55	100
34 540 93	VH01-0003	25	3	55	100
34 540 94	VH01-0004	27	3	55	100
34 540 95	VH01-0005	30	3	60	100
34 540 96	VH01-0006	20	4	55	100
34 540 97	VH01-0007	22	4	55	100
34 540 98	VH01-0008	25	4	55	100
34 540 99	VH01-0009	27	4	55	100
34 541 00	VH01-0010	30	4	60	100
34 541 01	VH01-0011	20	1	55	100
34 541 02	VH01-0012	22	1	55	100
34 541 03	VH01-0013	25	1	55	100
34 541 04	VH01-0014	27	1	55	100
34 541 05	VH01-0015	30	1	60	100
34 541 06	VH01-0016	20	2	55	100
34 541 07	VH01-0017	22	2	55	100
34 541 08	VH01-0018	25	2	55	100
34 541 09	VH01-0019	27	2	55	100
34 541 10	VH01-0020	30	2	60	100
34 541 11	VH01-0021	20	5	55	100
34 541 12	VH01-0022	22	5	55	100
34 541 13	VH01-0023	25	5	55	100
34 541 14	VH01-0024	27	5	55	100
34 541 15	VH01-0025	30	5	60	100
34 541 44	VH01-0046	20	6	55	100
34 541 45	VH01-0047	22	6	55	100
34 541 46	VH01-0048	25	6	55	100
34 541 47	VH01-0049	27	6	55	100
34 541 48	VH01-0050	30	6	60	100



Latch keys

Latch keys are available with four different key inserts. Keys are made of nickel coated zinc.

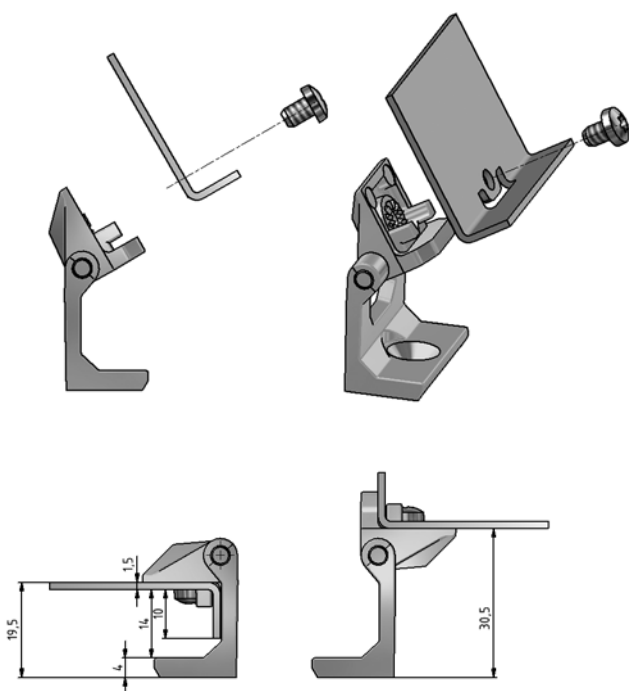
STK code	Product code	Product name	Key insert	Weight (g)	Package (pce)
34 541 36	VH04-0009	Latch key KL Zn	1	30	100
34 541 39	VH04-0010	Latch key K10 Zn	2	30	100
34 541 38	VH04-0012	Latch key N7 Zn	3	30	100
34 541 37	VH04-0011	Latch key K7 Zn	4	30	100



Enclosure hinge

Die-cast enclosure hinge, made of zinc and coated with nickel. Hinge has high mechanical strength and is easy to install. Allows the opening angle of 180 degrees for door.

STK code	Product code	Product name	Weight (g)	Package (pce)
34 541 43	VH03-0001	Enclosure hinge Zn	45	100



Hinge enables opening angle for door of 180 degrees.

Quality and environment certificates



Samples of product certificates





SERTIFIKAATTI FI 28688

Viteemme 273505-1, 277043-1

Tuote Voimakaapelin liitin
Tyyppi VC05-0191, VC05-0192, VC05-0193, VC05-0011, VC05-0012
Kauppaini Ounova
Sertifikaatin haltija/Valmistaja Ouneva Oy
 Teollisuustie 21
 FI-82730 TUUPOVAARA
 FINLAND

Tekniset tiedot Johtimien nimellispoikkipinta-ala Cu 2,5 – 35 mm²
 I_{cu} 135 A / I_{cu} 120 A U 1000 V
 Lälinlukkoka A
 Katso tämän sertifikaatin Lisäisivu

Tuote täyttää standardit/standardit EN 60947-7-1:2009
 EN 60947-7-2:2009
 EN 61236-1:2003

Voimassaolo Tämä sertifikaatti on voimassa 2019-08-18 asti, mikäli yllämainittuihin standardeihin ei ole julkaisu oireellisia muutoksia. Tällöin SGS Fimkoilla on oikeus lyhentää sertifikaatin voimassaoloa Euroopan Unionin lainsäädännön perusteella. Tähän sertifikaattiin liittyy FI-merkin käyttöoikeus edellyttäen, että FI-sertifioinnin ehdot on täytetty ja mahdolliset muutokset tuotteen on tarkistettu SGS Fimkossa ennen tuotteen markkinoille saattamista.

Direktiivi-informaatio Tuote täyttää Pienjännite-direktiivin 2006/95/EY CE-vaatimustenmukaisuusmerkinnän edellyttämät oleelliset turvallisuusvaatimukset tämän sertifikaatin myöntämishetkellä.

Myöntämispäivämäärä 2014-08-18

Allekirjoitus 
 Sören Lohfors
 Project Manager

SGS Fimko Oy

Tämän sertifikaatin sisältyy lisäisivu         

Tämä sertifikaatti on myönnetty yrityksen Sertifikaattivaltuutuksen mukaisesti, joka on saatavilla osoitteesta www.sgs.com/Trust-and-Confidence. Sertifikaattivaltuutus jätetään voimaan, jos sertifikaattivaltuutuksen haltija on täysin vastuussa siitä, että sertifikaattivaltuutus on voimassa. Tämän sertifikaatin sisältö on voimassa, kun valmistajan tai välittäjän on täytettävä kaikki vaatimukset ja kaikki muutokset tuotteen on tarkistettava SGS Fimkossa ennen tuotteen markkinoille saattamista.

SGS Fimko Oy | Saksenvuono 3 PL, SF-00211 Helsinki, Finland
 T +358 9 456 261 | F +358 9 492 5474 | www.sgs.fi
 Business ID 0978588-6 | Member of the SGS Group (SGS SA)

Certificate of Compliance

Certificate Number 20101222-E324730
 Report Reference E324730, 2010 December 22
 Issue Date 2010 December 22

Page 1 of 1



Issued to: OUNEVA OY
 TEOLLISUUSTIE 21
 FI-82730 TUUPOVAARA FINLAND

This is to certify that representative samples of **TERMINAL BLOCKS**
 USR and CNR Recognized Component - Terminal Blocks, Model Nos. T022050, T022240, T023050, T021771, T021050 may be followed by .B.

Have been investigated by Underwriters Laboratories Inc. (UL) or any authorized licensee of UL in accordance with the Standard(s) indicated on this Certificate..

Standard(s) for Safety: UL 1059 - STANDARD FOR TERMINAL BLOCKS - Edition 4
 CSA C22.2 NO. 158 - TERMINAL BLOCKS - Edition 2

Additional Information: "See UL On-Line Certification Directory at www.UL.com for additional information"

Only those products bearing the UL Recognized Component Marks for the U.S. and Canada should be considered as being covered by UL's Recognition and Follow-Up Service and meeting the appropriate U.S. and Canadian requirements.
 The UL Recognized Component Mark for the U.S. generally consists of the manufacturer's identification and catalog number, model number or other product designation as specified under "Marking" for the particular Recognition as published in the appropriate UL Directory. As a supplementary means of identifying products that have been produced under UL's Component Recognition Program, UL's Recognized Component Mark may be used in conjunction with the required Recognized Mark. The Recognized Component Mark is required when specified in the UL Directory preceding the recognitions or under "Markings" for the individual recognitions. The UL Recognized Component Mark for Canada consists of the UL Recognized Mark for Canada and the manufacturer's identification and catalog number, model number or other product designation as specified under "Marking" for the particular Recognition as published in the appropriate UL Directory.

Look for the UL Recognized Component Mark on the product

William R. Carney
 Director, North American Certification Programs
 Underwriters Laboratories Inc.



Get familiar with Ouneva products online: www.ounevaproducts.fi

You can find the latest documents
and product information from our
Ouneva products website.



Teollisuustie 21
82730 Tuupovaara, Finland

Tel. +358 400 179 750
Fax +358 13 861 457

www.ounevagroup.fi
www.ounevaproducts.fi