



Room temperature sensor PTV

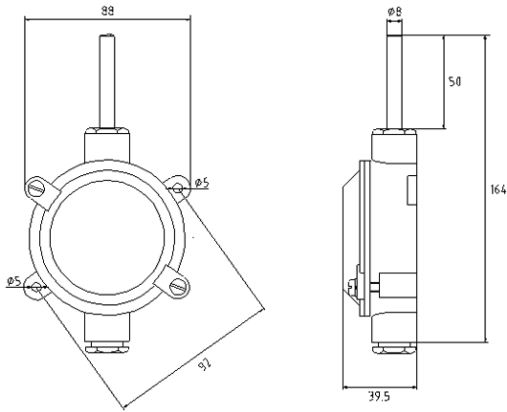
Application

Measuring of temperatures in rooms, e.g chill rooms, cargo and freeze compartments.

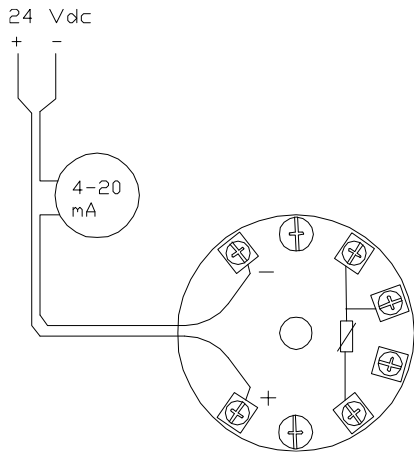
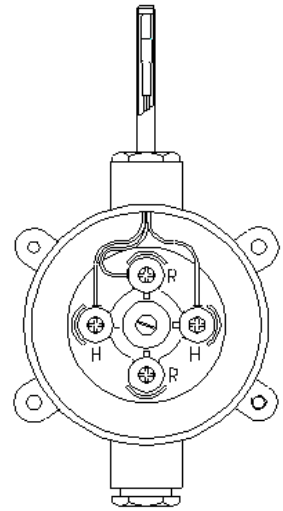
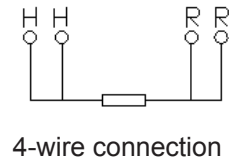
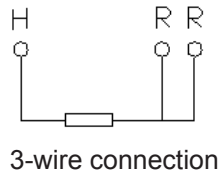


| | |
|-----------------------------|--|
| Temperatur range | -50°C ... 80°C |
| Number of conductors | 3 or 4 |
| Output signal | Pt100, Pt1000 or 4-20mA |
| Response time | Air 3.0 m/s: 35 sec |
| MATERIAL | |
| Protecting tube | Stainless steel, length 50 mm |
| Connection box | Grey enameled light alloy metal marine box |
| Protective rating | IP 67 |
| Cable gland | PG 16 |

Dimensions



Connection



Temperature transmitter