

Product Data Sheet



R30AXS

Replace "X" with 1, 2 or 3 for number of poles

Reinforced Class R Fuse Holder 30 Amps, 250 Volts AC/DC



Wire Range:

#10 - #22 AWG Copper

Holds fuse size 9/16" diameter X 2"

Commonly used fuses in this holder: A2D-R, A2K-R, DLN-R, FLN-R, FLNR, KLN-R, KLN-R, KTS-R, LLNRK, LPN-RK, TLN, TR-R

[See table below for wire sizes.](#)

Electrical Ratings:

- 0 - 30A max (amperage rating based on maximum fuse rating for that physical size)
- Copper wire only
- 250 Volts AC/DC
- Approved for 200,000 Amp Withstand Rating

Mechanical Ratings:

- Insulator base temperature rating: -40°C/F to 125°C (257°F) UL RTI
- Flammability rating of insulator base: UL 94V-0
- Touch protection: IP-20 (IEC 60529) with optional cover CHR230 (See accessories)
 - Use outside these ratings needs to be judged in the end-use application.

Materials:

- Fuse Clip: Copper alloy, tin plated
- Reject Member: Steel, tin plated
- Reinforcing Spring: Steel, zinc plated
- Insulator base: Glass filled polycarbonate (thermoplastic)
- Thread-forming #10-32 binder head screws: Steel, nickel plated
- Fuse Clip anchor screws: Steel, zinc plated

Agency Approvals:

- UL Listed, Fuseholder standards UL 4248-1 and UL 4248-12.
- UL File No. IZLT.E35113
- CSA Certified, CSA C22.2 No. 39 – M1987, File No. LR21455
- CE compliant to IEC 60947-1
- RoHS Compliant

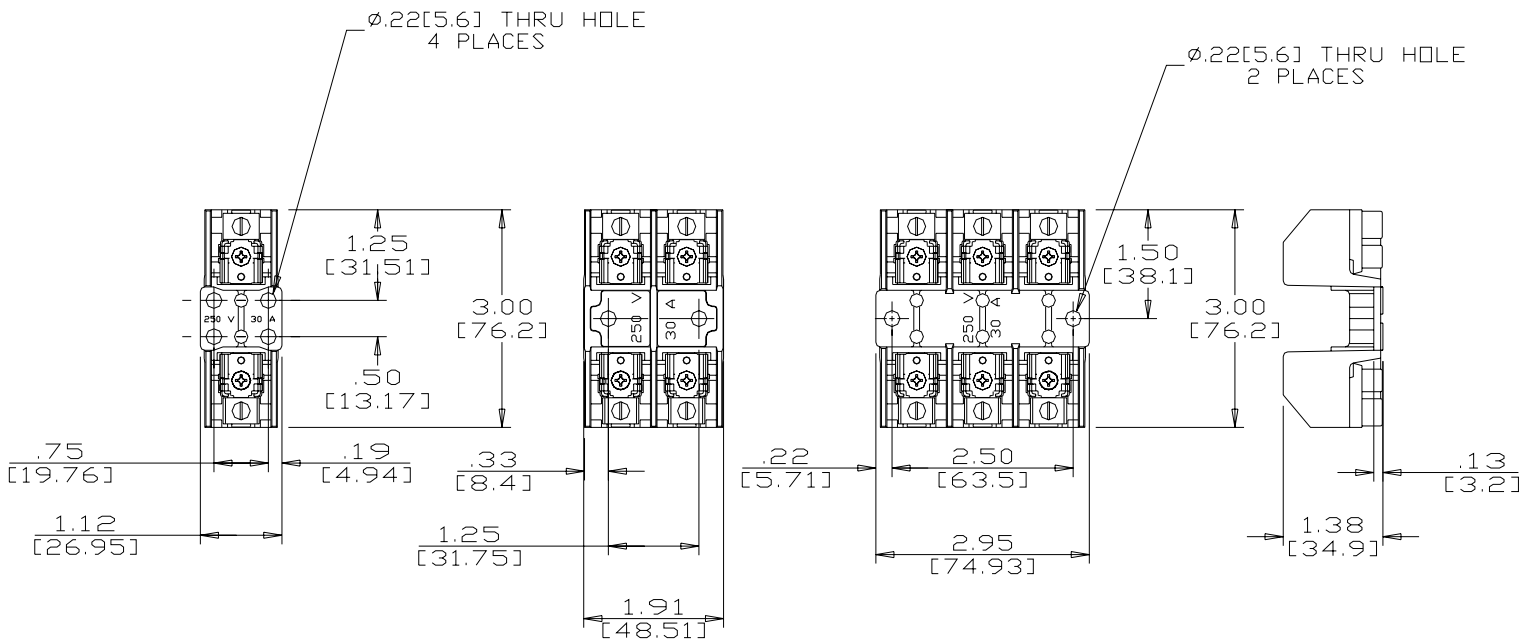
Wire Approvals:

| Wire Size | Torque | | Copper Wire Stranding Classes - Number of Conductors | | |
|-----------|--------|----------|--|---------|---------|
| | N-m | In. lbs. | Solid | Class B | Class C |
| 10 | 2.8 | 25 | 1 | 1 | 1 |
| 12 | 2.8 | 25 | 1 | 1 | 1 |
| 14 | 2.8 | 25 | 1 | 1 | 1 |
| 16 | 2.8 | 25 | 1 | 1 | 1 |
| 18 | 2.8 | 25 | 1 | 1 | 1 |
| 20 | 2.8 | 25 | | 1 | 1 |
| 22 | 2.8 | 25 | | 1 | 1 |

- Wire strip length – 7/16"
- Panel mountable: #10 fastener, torque to 25-30 in. lbs. (2.8 - 3.4 N-m)

Accessories:

- Cover: CHR230. Glass-filled polycarbonate (thermoplastic). 125°C (UL RTI), Flammability rating UL 94 V-0, UL Listed File No. JDVS2.181825.
- DIN Rail Adapter: Din R-1



WWW.MARATHONSP.COM
1-419-352-8441