

Qualität - made in USA



RSW

Robust cable pull for rotational encoder

- Powder-painted aluminium housing
- Optional stainless steel housing
- Incremental resolution to 0,032 mm
- Absolute resolution to 0,04 mm
- Measuring length from 2,5 to 30 m

Technical Data

Mechanical Data

Total count	324,4 mm wire per encoder revolution
Präcision	0,02% of the total measuring length
Temperatur error	0,018 mm per m and °C
Stroke range	2,5 m - 5 m - 10 m - 15 m - 30 m - 44 m
Cable	Ø 1,2 mm (0,6 mm ex 10 m), stainless steel
Cablespeed	max. 5 m/s
Housing	powder-painted aluminium (optional stainless steel)
Weight	approx. 3 kg

Environmental conditions

Vibration	max. 10 g (2000 Hz)
Operating temperature	- 20 ... + 55° C
Storage temperature	- 20 ... + 70° C
Atmospheric humidity	< 85 % r. h.
Protection type	IP 65 (DIN 40050/IEC 529)

Type key of encoder

Encoder see data sheet RSM 58 - RSC 58 - RSR 58

Cable pull type	Measuring length	Encoder type	Option
RSW	25 = 2,5 m	RSM-MRW1 or RSM-HB1	E = Stainless steel housing
RSW	50 = 5,0 m	RSC58-13+12-P-3-W1-US	V = consolidated spring packet
RSW	10 = 10 m	RSR 58-3244-Y-3-G-W1-SS	
RSW	15 = 15 m	Analogue(output)4 ... 20 mA	
RSW	30 = 30 m		
RSW			

Dimension and cutout RSW

RSW96205-W-001 - Subject to change

Measure A with Ø 1,2 mm

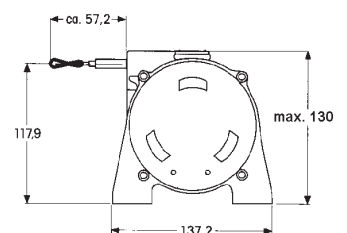
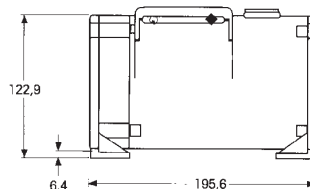
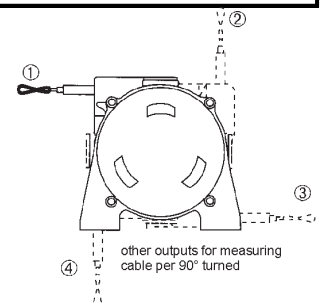
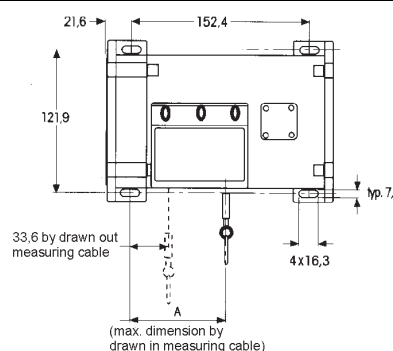
2,5 m cable 38,2 mm

5,0 m cable 45,6 mm

Measure A with Ø 0,6 mm

10 m cable 48,2 mm

15 m cable 58,4 mm



All details in mm.

Ex 15.000 mm measuring length changed the total length. Please request the dimension and cut-out.

RSW 05/03 - 151 Subject to change

Fax-enquiry

Fax number: 02162 - 45 03 04

To: ReSatronGmbH - Boisheimer Str. 162 - D-41751 Viersen - Phone (+49) 2162 - 45 06 80

Sender

Company: _____

Name: _____

Branch: _____

Address: _____

Postcode/city: _____

Phone: _____

Fax: _____

We want:

- an offer about _____ piece **RSW** ___, according to type designation.
- _____ piece **RSW** __ order according to type designation.
- RSW** __ with encoder Type **RS_ 58** (only with 10 mm shaft and clamping flange) adopt.
- a technical advise through your sales force.

Type key of encoder

Cable pull type	Measuring length	Encoder type	Option
RSW	25 = 2,5 m	RSM-MRW1 or RSM-HB1	E = Stainless steel housing
RSW	50 = 5,0 m	RSC58-13+12-P-3-W1-US	V = consolidated spring packet
RSW	10 = 10 m	RSR 58-3244-Y-3-G-W1-SS	
RSW	15 = 15 m	Analogue(output)4 ... 20 mA	
RSW	30 = 30 m		
RSW	_____	_____	_____