

Type 2 Safety Light Curtain-SC2/SC4



Description:

- Robust aluminum housing
- TYPE2, TYPE4
- Various protective field heights
- EDM function optional
- Automatic/Manual reset function optional
- Anti-interference
- 7-segment LED displays operation status

SC2 Type (Automatic reset):

Type	Function	Protective field height	Resolution	Range
SC2P30-150	Transmitter+Receiver	150mm	30	0.2 - 19m
SC2P30-300	Transmitter+Receiver	300mm	30	0.2 - 19m
SC2P30-450	Transmitter+Receiver	450mm	30	0.2 - 19m
SC2P30-600	Transmitter+Receiver	600mm	30	0.2 - 19m
SC2P30-750	Transmitter+Receiver	750mm	30	0.2 - 19m
SC2P30-900	Transmitter+Receiver	900mm	30	0.2 - 19m
SC2P30-1050	Transmitter+Receiver	1050mm	30	0.2 - 19m
SC2P30-1200	Transmitter+Receiver	1200mm	30	0.2 - 19m
SC2P30-1350	Transmitter+Receiver	1350mm	30	0.2 - 19m
SC2P30-1500	Transmitter+Receiver	1500mm	30	0.2 - 19m
SC2P30-1650	Transmitter+Receiver	1650mm	30	0.2 - 19m
SC2P30-1800	Transmitter+Receiver	1800mm	30	0.2 - 19m

Type	Function	Protective field height	Resolution	Range
SC2P50-300	Transmitter+Receiver	300mm	50	0.2 - 19m
SC2P50-450	Transmitter+Receiver	450mm	50	0.2 - 19m
SC2P50-600	Transmitter+Receiver	600mm	50	0.2 - 19m
SC2P50-750	Transmitter+Receiver	750mm	50	0.2 - 19m
SC2P50-900	Transmitter+Receiver	900mm	50	0.2 - 19m
SC2P50-1050	Transmitter+Receiver	1050mm	50	0.2 - 19m
SC2P50-1200	Transmitter+Receiver	1200mm	50	0.2 - 19m
SC2P50-1350	Transmitter+Receiver	1350mm	50	0.2 - 19m
SC2P50-1500	Transmitter+Receiver	1500mm	50	0.2 - 19m
SC2P50-1650	Transmitter+Receiver	1650mm	50	0.2 - 19m
SC2P50-1800	Transmitter+Receiver	1800mm	50	0.2 - 19m

Type	Function	Protective field height	Resolution	Range
SC2P90-300	Transmitter+Receiver	300mm	90	0.2 - 19m
SC2P90-450	Transmitter+Receiver	450mm	90	0.2 - 19m
SC2P90-600	Transmitter+Receiver	600mm	90	0.2 - 19m
SC2P90-750	Transmitter+Receiver	750mm	90	0.2 - 19m
SC2P90-900	Transmitter+Receiver	900mm	90	0.2 - 19m
SC2P90-1050	Transmitter+Receiver	1050mm	90	0.2 - 19m

Type	Function	Protective field height	Resolution	Range
SC2P90-1200	Transmitter+Receiver	1200mm	90	0.2 - 19m
SC2P90-1350	Transmitter+Receiver	1350mm	90	0.2 - 19m
SC2P90-1500	Transmitter+Receiver	1500mm	90	0.2 - 19m
SC2P90-1650	Transmitter+Receiver	1650mm	90	0.2 - 19m
SC2P90-1800	Transmitter+Receiver	1800mm	90	0.2 - 19m

Type 2 Safety Light Curtain-SC2/SC4

SC2 Type (Automatic/manual reset):

Type	Function	Protective field height	Resolution	Range
SC2P30-150E	Transmitter+Receiver	150mm	30	0.2 - 19m
SC2P30-300E	Transmitter+Receiver	300mm	30	0.2 - 19m
SC2P30-450E	Transmitter+Receiver	450mm	30	0.2 - 19m
SC2P30-600E	Transmitter+Receiver	600mm	30	0.2 - 19m
SC2P30-750E	Transmitter+Receiver	750mm	30	0.2 - 19m
SC2P30-900E	Transmitter+Receiver	900mm	30	0.2 - 19m
SC2P30-1050E	Transmitter+Receiver	1050mm	30	0.2 - 19m
SC2P30-1200E	Transmitter+Receiver	1200mm	30	0.2 - 19m
SC2P30-1350E	Transmitter+Receiver	1350mm	30	0.2 - 19m
SC2P30-1500E	Transmitter+Receiver	1500mm	30	0.2 - 19m
SC2P30-1650E	Transmitter+Receiver	1650mm	30	0.2 - 19m
SC2P30-1800E	Transmitter+Receiver	1800mm	30	0.2 - 19m

Type	Function	Protective field height	Resolution	Range
SC2P50-300E	Transmitter+Receiver	300mm	50	0.2 - 19m
SC2P50-450E	Transmitter+Receiver	450mm	50	0.2 - 19m
SC2P50-600E	Transmitter+Receiver	600mm	50	0.2 - 19m
SC2P50-750E	Transmitter+Receiver	750mm	50	0.2 - 19m
SC2P50-900E	Transmitter+Receiver	900mm	50	0.2 - 19m
SC2P50-1050E	Transmitter+Receiver	1050mm	50	0.2 - 19m
SC2P50-1200E	Transmitter+Receiver	1200mm	50	0.2 - 19m
SC2P50-1350E	Transmitter+Receiver	1350mm	50	0.2 - 19m
SC2P50-1500E	Transmitter+Receiver	1500mm	50	0.2 - 19m
SC2P50-1650E	Transmitter+Receiver	1650mm	50	0.2 - 19m
SC2P50-1800E	Transmitter+Receiver	1800mm	50	0.2 - 19m

Type	Function	Protective field height	Resolution	Range
SC2P90-300E	Transmitter+Receiver	300mm	90	0.2 - 19m
SC2P90-450E	Transmitter+Receiver	450mm	90	0.2 - 19m
SC2P90-600E	Transmitter+Receiver	600mm	90	0.2 - 19m
SC2P90-750E	Transmitter+Receiver	750mm	90	0.2 - 19m
SC2P90-900E	Transmitter+Receiver	900mm	90	0.2 - 19m
SC2P90-1050E	Transmitter+Receiver	1050mm	90	0.2 - 19m

Type	Function	Protective field height	Resolution	Range
SC2P90-1200E	Transmitter+Receiver	1200mm	90	0.2 - 19m
SC2P90-1350E	Transmitter+Receiver	1350mm	90	0.2 - 19m
SC2P90-1500E	Transmitter+Receiver	1500mm	90	0.2 - 19m
SC2P90-1650E	Transmitter+Receiver	1650mm	90	0.2 - 19m
SC2P90-1800E	Transmitter+Receiver	1800mm	90	0.2 - 19m

SC2 Technical data:

Safety classification	Complying with type 2 of IEC/EN61496 Complying with SIL2 of IEC 61508
Response time	9-24ms
Operating distance	0.2-19m
Operating voltage	+24VDC(±20%)
Consumption	Max. 2W(emitter); Max. 3W(receiver)
Output mode	2×PNP, Max. 0.5A
Connection	M12, 5pin(emitter); M12, 8pin(receiver)
Connection cable length	Max. 50m
Protection degree	IP65
Ambient temperature	0-55 °C
Storage temperature	-25-70 °C
Size	Cross section: 32.3×36.9mm
Vibrations	Width 0.35mm Frequency 10-55Hz, 20sweep per axis, 1 octave/min(EN60068-2-6)
Shoak resistance	16ms(10G)1,000 shocks per axis (EN60068-2-29)
Housing material	Painted aluminium(yellow PAL1003)
Front side material	PMMA
Caps material	PC MAKROLON
Weight	1.3kg/m

Type 2 Safety Light Curtain-SC2/SC4

SC4 Type (Automatic/manual reset):

Type	Function	Protective field height	Resolution	Range
SC4P14-150E	Transmitter+Receiver	150mm	14	0.2 - 6m
SC4P14-300E	Transmitter+Receiver	300mm	14	0.2 - 6m
SC4P14-450E	Transmitter+Receiver	450mm	14	0.2 - 6m
SC4P14-600E	Transmitter+Receiver	600mm	14	0.2 - 6m
SC4P14-750E	Transmitter+Receiver	750mm	14	0.2 - 6m
SC4P14-900E	Transmitter+Receiver	900mm	14	0.2 - 6m
SC4P14-1050E	Transmitter+Receiver	1050mm	14	0.2 - 6m
SC4P14-1200E	Transmitter+Receiver	1200mm	14	0.2 - 6m
SC4P14-1350E	Transmitter+Receiver	1350mm	14	0.2 - 6m
SC4P14-1500E	Transmitter+Receiver	1500mm	14	0.2 - 6m
SC4P14-1650E	Transmitter+Receiver	1650mm	14	0.2 - 6m
SC4P14-1800E	Transmitter+Receiver	1800mm	14	0.2 - 6m

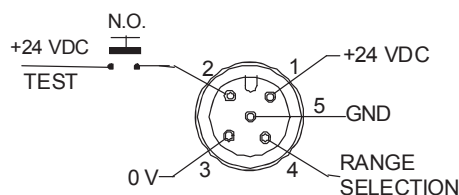
Type	Function	Protective field height	Resolution	Range
SC4P30-300E	Transmitter+Receiver	300mm	30	0.2 - 19m
SC4P30-450E	Transmitter+Receiver	450mm	30	0.2 - 19m
SC4P30-600E	Transmitter+Receiver	600mm	30	0.2 - 19m
SC4P30-750E	Transmitter+Receiver	750mm	30	0.2 - 19m
SC4P30-900E	Transmitter+Receiver	900mm	30	0.2 - 19m
SC4P30-1050E	Transmitter+Receiver	1050mm	30	0.2 - 19m
SC4P30-1200E	Transmitter+Receiver	1200mm	30	0.2 - 19m
SC4P30-1500E	Transmitter+Receiver	1500mm	30	0.2 - 19m
SC4P30-1800E	Transmitter+Receiver	1800mm	30	0.2 - 19m

SC4 Technical data:

Safety classification	Complying with type 4 of IEC 61496-1/prIEC 61496-2
Response time	SC4P14: 11-50ms; SC4P30: 11-28ms
Operating distance	SC4P14: 0.2-6m; SC4P30: 0.2-19m
Operating voltage	+24VDC(±20%)
Consumption	SC4P14: Max. 2.5W(emitter); Max. 4W(receiver) SC4P30: Max. 2.5W(emitter); Max. 3.5W(receiver)
Output mode	2×PNP, Max. 0.5A
Connection	M12, 5pin(emitter); M12, 8pin(receiver)
Connection cable length	Max. 50m
Protection degree	IP65
Ambient temperature	0-55 °C
Storage temperature	-25-70 °C
Size	Width 0.35mm, Frequency 10-55Hz, 20sweep per axis, 1 octave/min(EN60068-2-6)
Vibrations	0.35mm, 10-55Hz, EN60068-2-6
Shoak resistance	16ms(10G)1,000 shocks per axis (EN60068-2-29)
Housing material	Painted aluminium(yellow PAL1003)
Front side material	PMMA
Caps material	PC MAKROLON
Weight	1.3kg/m

Electrical connection:

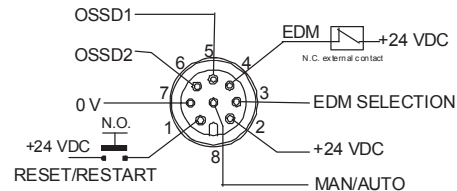
Emitter:



Emitter:

Pin	Color	Function
1	Brown	+24V DC
2	White	TEST
3	Blue	0V
4	Black	RANGE SELECTION
5	Grey	GND

Receiver:

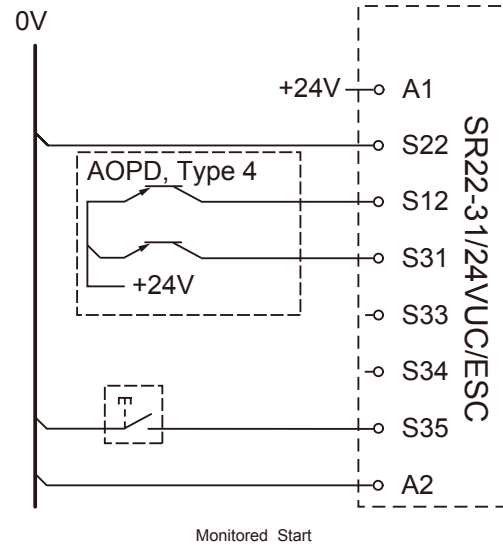
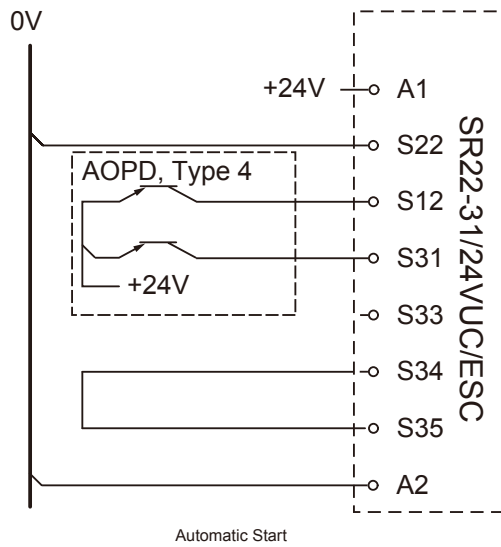


Receiver:

Pin	Color	Function
1	White	RESET/RESTART
2	Brown	+24V DC
3	Green	EDM SELECTION
4	Yellow	EDM
5	Grey	OSSD1
6	Pink	OSSD2
7	Blue	0V
8	Red	MANUAL/AUTOMATIC RESTART

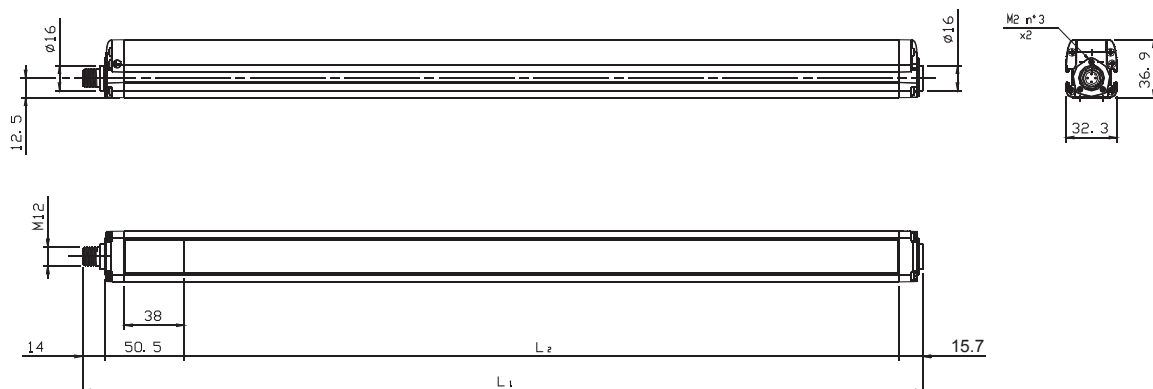
Type 2 Safety Light Curtain-SC2/SC4

Electrical connection With Safety Relay:



Dimensions:

SC Series



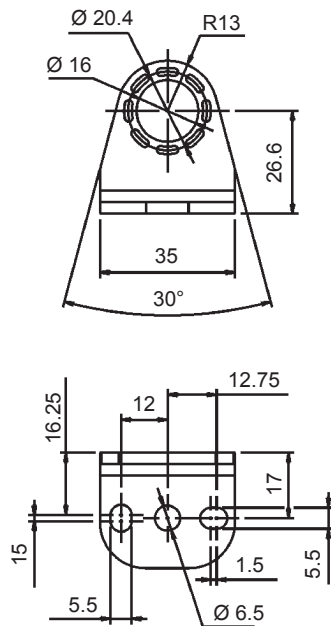
L_2 = Protective field height

L_1 = $L_2 + 14\text{mm} + 50.5\text{mm} + 15.7\text{mm}$

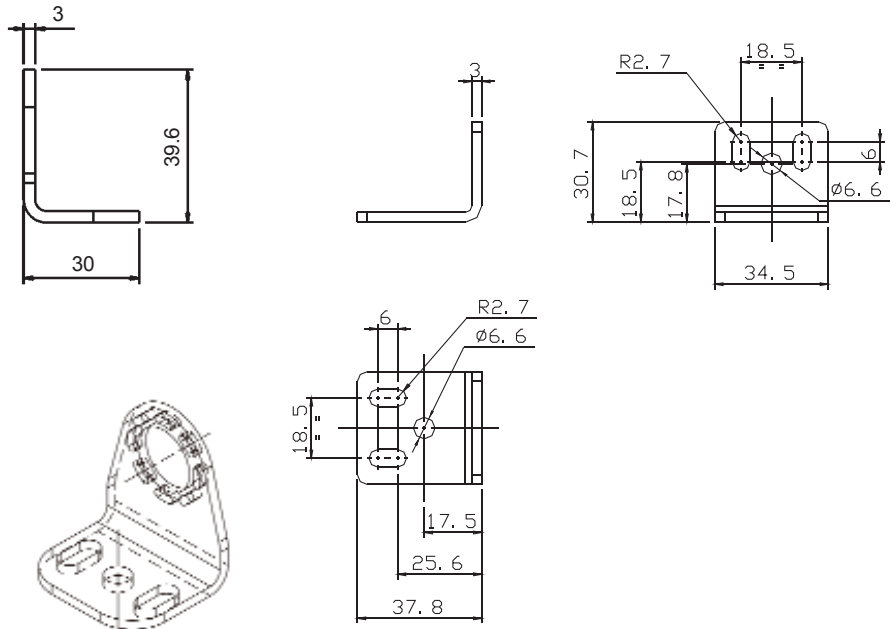
Type 2 Safety Light Curtain-SC2/SC4

Dimensions Accessories:

360°rotation Bracket:



Mounting bracket:



Accessories parameter:

Type	Description
Bracket	
ST-K4ROT	Top-Bottom rotating fixing brackets (4 pc kit)
ST-KSTD	Angled fixing brackets (4 pc kit)
ST-K4AV	Anti-vibration supports (4 pc kit)
Cable, 5-core, for transmitter and receiver (Automatic / Manual)	
CB-M12-03000E-5GF	M12 5-pin (straight) with 3m cable
CB-M12-05000E-5GF	M12 5-pin (straight) with 5m cable
CB-M12-10000E-5GF	M12 5-pin (straight) with 10m cable
CB-M12-15000E-5GF	M12 5-pin (straight) with 15m cable
CB-M12-25000E-5GF	M12 5-pin (straight) with 25m cable
Cable, 8-core, for receiver (Automatic / Manual)	
CB-M12-03000E-8GF	M12 8-pin (straight) with 3m cable
CB-M12-05000E-8GF	M12 8-pin (straight) with 5m cable
CB-M12-10000E-8GF	M12 8-pin (straight) with 10m cable
CB-M12-15000E-8GF	M12 8-pin (straight) with 15m cable
CB-M12-25000E-8GF	M12 8-pin (straight) with 25m cable