

SCREW TERMINALS

HIGH CV PRODUCT

LONG LIFE 8000 H @ 105 °C

■ FEATURES

- All internal contacts welded
- High performance
- High ripple current
- Long useful life

■ APPLICATIONS

- Computer
- Industrial
- Inverter/drives
- Laser

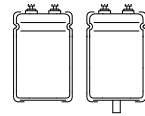
RoHS compliant
REACH compliant

■ GENERAL SPECIFICATIONS

Items	Characteristics
Rated capacitance range C_R	390... 3.300.000 μF
Capacitance tolerance	$\pm 20\%$
Rated voltage range U	16 ... 450 V
Surge voltage U_S	$U_R \leq 315 \text{ V}: U_S = 1,15 U_R$; $U_R > 315 \text{ V}: U_S = 1,10 U_R$
Max. reverse voltage	2 V / 20 nH
Category temperature range	- 40°C ... + 105 °C
Leakage current I_L after 5 min @ U_R	$\leq 0,008 * C_R [\mu\text{F}] * U_R [\text{V}] + 6 \mu\text{A} [\mu\text{A}]$
Useful life 12000 h @ 85 °C ; U_R ; I_R	Requirements $\Delta C/C \leq 30\%$ of initial value ; ESR $\leq 300\%$ of specified ; limit $I_L \leq$ specified limit
Endurance test 4000 h @ 85 °C , U_R	Requirements $\Delta C/C \leq 20\%$ of initial value ; ESR $\leq 130\%$ of specified ; limit $I_L \leq$ specified limit
Climatic category IEC 60068	40/105/56
Voltage proof of the external insulation	$\geq 2500 \text{ V AC}$
Sectional specification	IEC 60384-4

Different voltages and capacitance combinations are available on request. Also in small lots.

Stand: 05/2015



■ DRAWINGS FOR SERIES GA AND GB

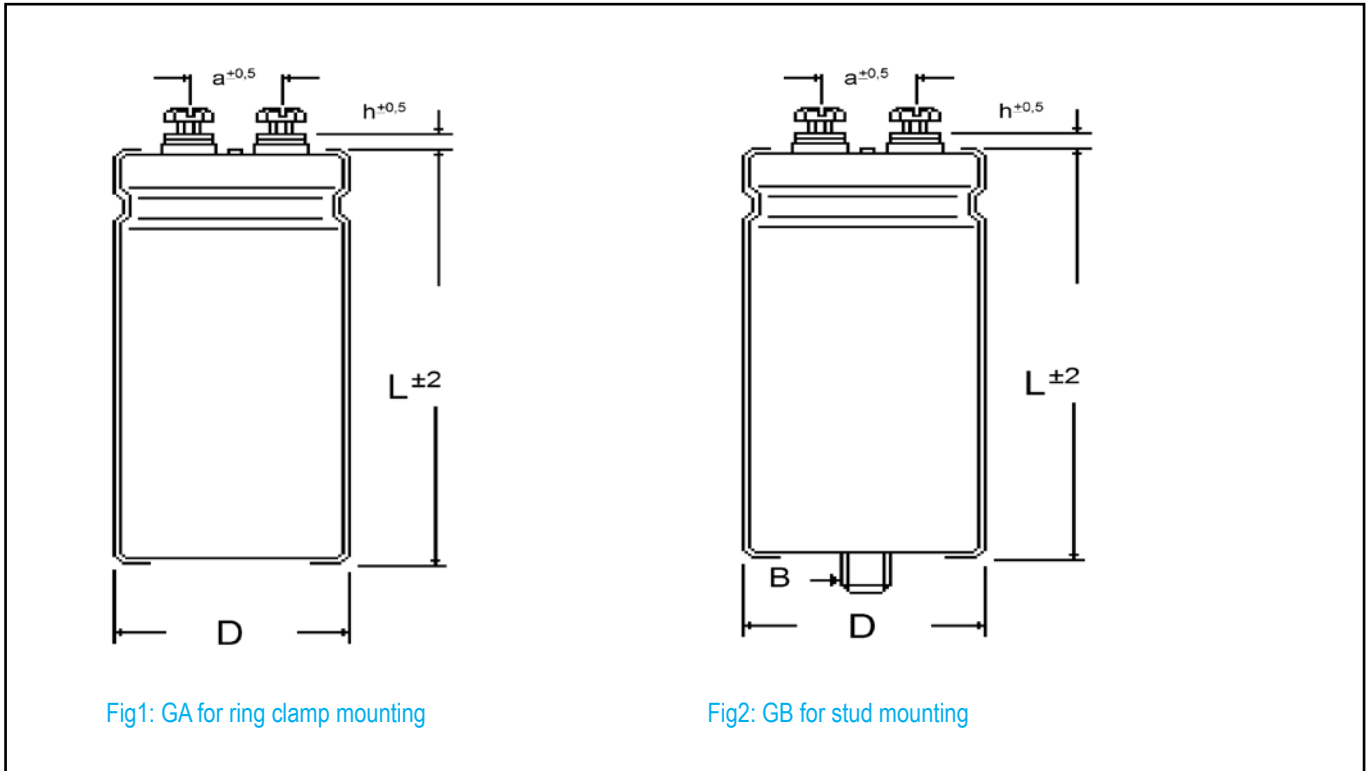


Fig1: GA for ring clamp mounting

Fig2: GB for stud mounting

■ DIMENSIONS AND MECHANICAL DATA

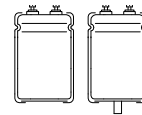
Dimensions, case with insulation sleeve				Connecting terminals		Mounting stud, GMB only	
D [mm]	Case length L available in 5 mm [mm]	h [mm]	a [mm]	Thread	Max. torque [Nm]	B	Max. torque [Nm]
35	40 ... 120	6	13	M5	2,0	M8 x 12	4,0
40	40 ... 120	5	18	M5	2,0	M8 x 12	4,0
50	40 ... 120	5	22	M5	2,0	M12 x 16	10,0
65	40 ... 180	5	28,5	M5	2,0	M12 x 16	10,0
75	40 ... 230	5	31,7	M5 ; M6	2,0 ; 2,5	M12 x 16	10,0
90	40 ... 230	5	31,7	M6	2,5	M12 x 16	10,0

GMA: connecting screws M5 or M6

GMB: connecting screws M5 or M6 + mounting nut M8 or M12

Remarks: Further mounting accessoires like clamps, nylon cup nuts and insulation disks on request, see "accessory equipment".

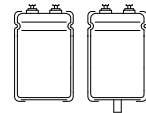
Stand: 05/2015



ELECTRICAL DATA AND ORDERING CODE FOR SERIES G

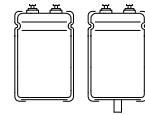
Rated voltage U_R [V]	Rated cap. C_R [μF]	Case size D x L [mm]	Typ. ESR 100 Hz, 20°C [mΩ]	Ripple current IR~ 100 Hz, 105°C [A]	Order code
					Plain base: GA...
					Stud mounting: GB...
16	82000	35x55	6	9,0	82301635055
	120000	35x70	4	12,0	12401635070
	120000	40x55	4	11,1	12401640055
	150000	35x80	3	14,2	15401635080
	150000	40x70	3	13,7	15401640070
	180000	35x100	3	17,0	18401635100
	180000	40x80	3	15,8	18401640080
	180000	45x70	3	15,0	18401645070
	220000	40x100	3	19,1	22401640100
	220000	50x70	3	17,7	22401650070
	270000	45x100	3	21,1	27401645100
	270000	50x80	3	20,6	27401650080
	390000	50x100	3	27,0	39401650100
	470000	65x80	3	35,6	47401665080
	560000	65x100	2	42,1	56401665100
	820000	65x130	2	56,5	82401665130
	820000	75x100	1	44,1	82401675100
	1000000	75x115	1	51,3	10501675115
	1200000	75x145	1	61,5	12501675145
	1500000	75x165	1	72,4	15501675165
	1800000	90x148	1	84,8	18501690148
	2200000	75x225	1	99,8	22501675225
	2200000	90x170	1	99,0	22501690170
	2700000	90x220	1	121,7	27501690220
3300000	90x230	1	137,1	33501690230	
25	22000	35x55	20	4,8	22302535055
	33000	35x70	14	6,5	33302535070
	33000	40x55	14	6,1	33302540055
	39000	35x80	11	7,5	39302535080
	47000	40x70	9	7,9	47302540070
	56000	35x100	8	9,8	56302535100
	56000	40x80	8	9,1	56302540080
	56000	45x70	8	8,6	56302545070
	68000	40x100	7	11,0	68302540100
	68000	50x70	7	10,2	68302550070
	68000	45x100	7	11,0	68302545100
	82000	50x80	5	11,7	82302550080
	120000	50x100	4	15,5	12402550100
	120000	65x80	4	18,3	12402565080
	180000	65x100	3	24,3	18402565100
	220000	75x100	2	23,2	22402575100
	270000	65x130	2	33,0	27402565130
	270000	75x115	2	27,1	27402575115
	390000	75x145	1	35,7	39402575145
	470000	75x165	1	41,2	47402575165
	560000	90x148	1	48,1	56402590148
	680000	75x225	1	56,5	68402575225

Rated voltage U_R [V]	Rated cap. C_R [μF]	Case size D x L [mm]	Typ. ESR 100 Hz, 20°C [mΩ]	Ripple current IR~ 100 Hz, 105°C [A]	Order code
					Plain base: GA...
					Stud mounting: GB...
25	680000	90x170	1	56,0	68402590170
	820000	90x220	1	68,2	82402590220
	1000000	90x230	1	76,8	10502590230
	15000	35x55	25	4,3	15304035055
	18000	40x55	21	4,8	18304040055
	22000	35x70	17	5,7	22304035070
	27000	35x80	14	6,7	27304035080
	27000	40x70	14	6,5	27304040070
	33000	35x100	12	8,1	33304035100
	33000	40x80	12	7,5	33304040080
	33000	45x70	12	7,2	33304045070
	39000	50x70	10	8,3	39304050070
40	47000	40x100	8	9,9	47304040100
	47000	50x80	8	9,6	47304050080
	56000	45x100	7	10,7	56304045100
	68000	50x100	6	12,6	68304050100
	82000	65x80	5	16,6	82304065080
	120000	65x100	3	21,8	12404065100
	150000	75x100	3	21,1	15404075100
	150000	65x130	3	27,0	15404065130
	180000	75x115	2	24,3	18404075115
	220000	75x145	2	29,4	22404075145
	270000	75x165	1	34,3	27404075165
	330000	90x148	1	40,6	33404090148
	390000	75x225	1	47,0	39404075225
	390000	90x170	1	46,6	39404090170
	560000	90x220	1	62,0	56404090220
	560000	90x230	1	63,1	56404090230
	6800	35x55	42	3,4	68206335055
	8200	40x55	35	3,8	82206340055
	10000	35x70	29	4,5	10306335070
	12000	35x80	24	5,2	12306335080
	12000	40x70	24	5,0	12306340070
	15000	35x100	19	6,3	15306335100
	15000	40x80	19	5,9	15306340080
	15000	45x70	19	5,6	15306345070
18000	50x70	16	6,5	18306350070	
63	18000	40x100	16	7,1	18306340100
	22000	50x80	13	7,6	22306350080
	22000	45x100	13	7,8	22306345100
	27000	50x100	11	9,2	27306350100
	39000	65x80	7	13,2	39306365080
	47000	65x100	6	15,8	47306365100
	68000	75x100	4	16,4	68306375100
	68000	65x130	4	21,0	68306365130
	82000	75x115	3	19,0	82306375115
	100000	75x145	3	22,9	10406375145



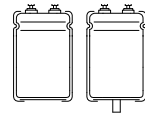
Rated voltage U_R [V]	Rated cap. C_R [μF]	Case size D x L [mm]	Typ. ESR 100 Hz, 20°C [mΩ]	Ripple current IR~ 100 Hz, 105°C [A]	Order code		
					Plain base: GA...		
					Stud mounting: GB...		
63	120000	75x165	2	26,4	12406375165		
	150000	90x148	2	31,6	15406390148		
	180000	75x225	2	36,9	18406375225		
	180000	90x170	2	36,6	18406390170		
	220000	90x220	1	44,9	22406390220		
	270000	90x230	1	50,6	27406390230		
	3900	35x55	82	2,4	39208035055		
	5600	35x70	57	3,2	56208035070		
80	6800	35x80	47	3,7	68208035080		
	6800	40x70	47	3,6	68208040070		
	8200	40x55	39	3,6	82208040055		
	8200	35x100	39	4,4	82208035100		
	8200	40x80	39	4,1	82208040080		
	10000	45x70	32	4,3	10308045070		
	12000	50x70	27	5,1	12308050070		
	12000	45x100	27	5,4	12308045100		
	15000	40x100	21	6,1	15308040100		
	15000	50x80	21	5,9	15308050080		
	18000	50x100	18	7,1	18308050100		
	22000	65x80	14	9,4	22308065080		
	27000	65x100	12	11,3	27308065100		
	39000	75x100	8	11,8	39308075100		
	39000	65x130	8	15,1	39308065130		
	47000	75x115	7	13,6	47308075115		
	68000	75x145	5	17,9	68308075145		
	68000	75x165	5	18,9	68308075165		
	100000	90x148	3	24,5	10408090148		
	120000	75x225	3	28,6	12408075225		
	120000	90x170	3	28,3	12408090170		
	150000	90x220	2	35,1	15408090220		
	150000	90x230	2	35,8	15408090230		
	3300	35x55	48	3,1	33210035055		
	4700	35x70	34	4,1	47210035070		
	100	4700	40x55	34	3,8	47210040055	
		5600	35x80	28	4,7	56210035080	
		5600	40x70	28	4,6	56210040070	
6800		35x100	23	5,7	68210035100		
6800		40x80	23	5,3	68210040080		
8200		45x70	19	5,5	82210045070		
10000		50x70	16	6,5	10310050070		
10000		40x100	16	7,1	10310040100		
12000		45x100	13	7,7	12310045100		
12000		50x80	13	7,5	12310050080		
15000		50x100	11	9,2	15310050100		
18000		65x80	9	12,1	18310065080		
22000		65x100	7	14,5	22310065100		
27000		75x100	6	13,9	27310075100		
33000		65x130	5	19,6	33310065130		
39000		75x115	4	17,6	39310075115		

Rated voltage U_R [V]	Rated cap. C_R [μF]	Case size D x L [mm]	Typ. ESR 100 Hz, 20°C [mΩ]	Ripple current IR~ 100 Hz, 105°C [A]	Order code		
					Plain base: GA...		
					Stud mounting: GB...		
100	47000	75x145	3	21,1	47310075145		
	56000	75x165	3	24,2	56310075165		
	68000	90x148	2	28,6	68310090148		
	82000	75x225	2	33,4	82310075225		
	82000	90x170	2	33,1	82310090170		
	120000	90x220	1	44,5	12410090220		
	120000	90x230	1	45,3	12410090230		
	160	1800	35x55	62	2,8	18216035055	
2200		35x70	51	3,4	22216035070		
2200		40x55	51	3,1	22216040055		
2700		35x80	41	3,9	27216035080		
2700		40x70	41	3,8	27216040070		
3900		35x100	29	5,2	39216035100		
3900		40x80	29	4,8	39216040080		
3900		45x70	29	4,6	39216045070		
4700		50x70	24	5,4	47216050070		
4700		40x100	24	5,8	47216040100		
5600		45x100	20	6,3	56216045100		
5600		50x80	20	6,1	56216050080		
6800		50x100	16	7,4	68216050100		
8200		65x80	14	9,7	82216065080		
12000		65x100	9	12,8	12316065100		
15000		75x100	7	12,4	15316075100		
18000		65x130	6	17,3	18316065130		
18000		75x115	6	14,3	18316075115		
27000		75x145	4	19,1	27316075145		
27000		75x165	4	20,1	27316075165		
39000		75x225	3	27,5	39316075225		
39000		90x148	3	25,9	39316090148		
47000		90x170	2	30,0	47316090170		
56000		90x220	2	36,3	56316090220		
56000		90x230	2	37,0	56316090230		
250		1000	35x55	96	2,2	10225035055	
		1500	35x70	64	3,0	15225035070	
		1500	40x55	64	2,8	15225040055	
	1800	35x80	53	3,5	18225035080		
	1800	40x70	53	3,3	18225040070		
	2200	35x100	43	4,2	22225035100		
	2200	40x80	43	3,9	22225040080		
	2200	45x70	43	3,7	22225045070		
	2700	50x70	35	4,4	27225050070		
	3300	40x100	29	5,2	33225040100		
	3900	45x100	24	5,7	39225045100		
	3900	50x80	24	5,5	39225050080		
	4700	50x100	20	6,6	47225050100		
	5600	65x80	17	8,7	56225065080		
	8200	65x100	12	11,4	82225065100		
	10000	75x100	10	10,9	10325075100		
12000	65x130	8	15,3	12325065130			



Rated voltage U_R [V]	Rated cap. C_R [μF]	Case size D x L [mm]	Typ. ESR 100 Hz, 20°C [mΩ]	Ripple current IR~ 100 Hz, 105°C [A]	Order code
					Plain base: GA...
					Stud mounting: GB...
250	12000	75x115	8	12,6	12325075115
	18000	75x145	5	16,8	18325075145
	18000	75x165	5	17,7	18325075165
	27000	75x225	4	24,7	27325075225
	27000	90x148	4	23,2	27325090148
	27000	90x170	4	24,5	27325090170
	39000	90x220	2	32,7	39325090220
	39000	90x230	2	33,3	39325090230
350	560	35x55	171	1,7	56135035055
	680	40x55	141	1,9	68135040055
	820	35x70	117	2,2	82135035070
	1000	35x80	96	2,6	10235035080
	1200	40x70	80	2,7	12235040070
	1200	45x70	80	2,7	12235045070
	1500	35x100	64	3,5	15235035100
	1500	40x80	64	3,2	15235040080
	1800	50x70	53	3,6	18235050070
	1800	40x100	53	3,9	18235040100
	1800	50x80	53	3,8	18235050080
	2200	45x100	43	4,3	22235045100
	2700	50x100	35	5,0	27235050100
	3300	65x80	29	6,7	33235065080
	3900	65x100	24	7,9	39235065100
	4700	75x100	20	7,5	47235075100
	5600	65x130	17	10,4	56235065130
	5600	75x115	17	8,6	56235075115
	8200	75x145	12	11,4	82235075145
	8200	75x165	12	12,0	82235075165
	12000	75x225	8	16,5	12335075225
	12000	90x148	8	15,5	12335090148
	15000	90x170	6	18,3	15335090170
	18000	90x220	5	22,2	18335090220
18000	90x230	5	22,6	18335090230	
400	390	35x55	327	1,2	39140035055
	560	35x70	227	1,6	56140035070
	560	40x55	227	1,5	56140040055
	680	35x80	187	1,8	68140035080
	820	40x70	155	2,0	82140040070
	820	40x80	155	2,1	82140040080
	1000	35x100	127	2,5	10240035100
	1000	45x70	127	2,2	10240045070
	1200	50x70	106	2,5	12240050070
	1200	40x100	106	2,7	12240040100

Rated voltage U_R [V]	Rated cap. C_R [μF]	Case size D x L [mm]	Typ. ESR 100 Hz, 20°C [mΩ]	Ripple current IR~ 100 Hz, 105°C [A]	Order code
					Plain base: GA...
					Stud mounting: GB...
400	1500	45x100	85	3,0	15240045100
	1500	50x80	85	3,0	15240050080
	1800	50x100	71	3,6	18240050100
	2200	65x80	58	4,7	22240065080
	2700	65x100	47	5,7	27240065100
	3300	65x100	40	5,8	33240065100
	3900	75x100	33	5,9	39240075100
	3900	65x130	33	7,5	39240065130
	4700	75x115	27	6,8	47240075115
	6800	75x145	19	9,0	68240075145
	6800	75x165	19	9,4	68240075165
	10000	90x148	13	12,2	10340090148
	12000	75x225	11	14,3	12340075225
	12000	90x170	11	14,2	12340090170
	15000	90x220	8	17,6	15340090220
	18000	90x230	7	19,6	18340090230
450	390	35x55	286	1,3	39145035055
	470	35x70	237	1,6	47145035070
	560	35x80	199	1,8	56145035080
	560	35x100	199	2,0	56145035100
	680	40x60	164	1,8	68145040060
	820	40x70	136	2,1	82145040070
	820	40x80	136	2,2	82145040080
	1000	45x70	111	2,3	10245045070
	1000	40x100	111	2,7	10245040100
	1200	50x70	93	2,7	12245050070
	1200	45x100	93	2,9	12245045100
	1200	50x80	93	2,8	12245050080
	1800	50x100	62	3,8	18245050100
	1800	65x80	62	4,6	18245065080
	2700	65x100	41	6,1	27245065100
	3300	65x130	34	7,4	33245065130
	3900	75x100	29	6,3	39245075100
	3900	75x115	29	6,6	39245075115
	4700	75x145	25	7,6	47245075145
	5600	75x145	20	8,7	56245075145
	6800	75x165	16	10,1	68245075165
	8200	75x225	14	12,6	82245075225
	10000	90x148	11	13,1	10345090148
	10000	90x170	11	13,8	10345090170
15000	90x220	7	18,8	15345090220	
15000	90x230	7	19,1	15345090230	
15000	90x230	7	19,1	15345090230	



■ USEFUL LIFE AS A FUNCTION OF AMBIENT TEMPERATURE AND ACTUAL RIPPLE CURRENT

