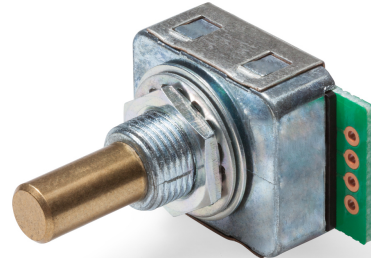


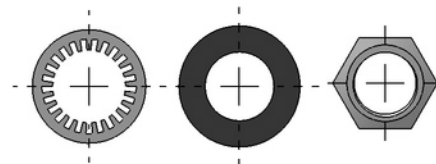
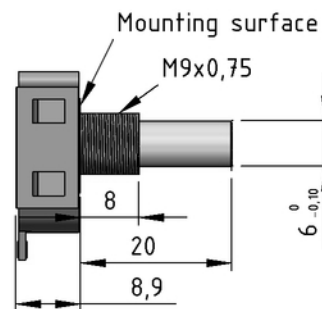
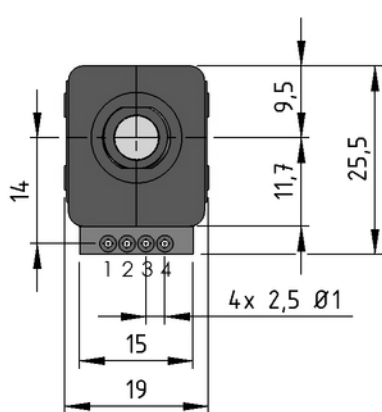
Series MRB25, MRBC25 - Optoelectronic, Manual Encoder

- Resolution 25 ppr (16 ppr on request)
- With or without click
- Low power consumption $\leq 10\text{mA}$ @ 5V, $\leq 20\text{mA}$ @ 3,3V
- Supply voltage 3,3V or 5,5V
- Compact design 20 x 22, shaft \varnothing 6mm
- Sealing ring optional
- Option PCB mounting

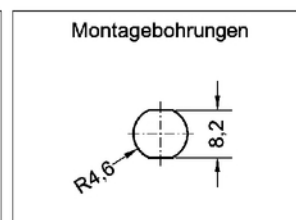
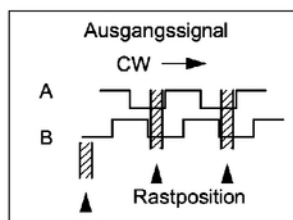
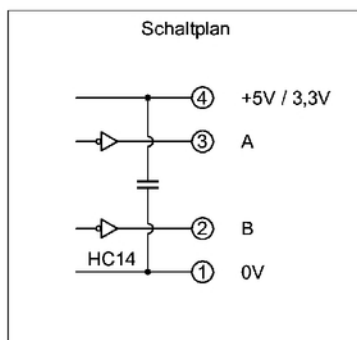
The space-saving and well-priced encoder is used as a manual setpoint device. Because of its low power requirement and the optional operating voltage of 3.3V the MRBT is suitable for battery operation.



Drawing and Interfaces



Nut (wrench size 12), washer and toothed washer are included in delivery



Series MRB25, MRBC25 - Optoelectronic, Manual Encoder

Electrical Data

Resolution	25 ppr (16 ppr on request)	
Signal	A, B	
Limit frequency	200 Hz	
Initial response time	< 15ms	
Output	HCMOS	
Supply voltage	5V \pm 5%	3,3V \pm 5%
Power consumption (no load)	maximum 10 mA / typical 7 mA	maximum 20 mA / typical 10 mA

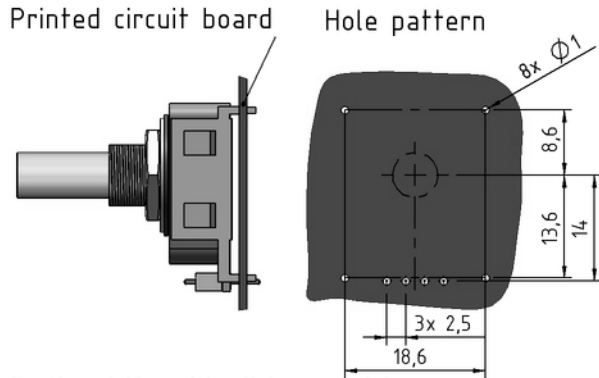
Mechanical Data	MRB	MRBC
Life time	1 Mio. rev.	
Maximum speed	200 rpm	100 rpm
Operational torque	1...4 Nmm	6 \pm 2 Nmm
Radial shaft load max.	1 N	
Axial shaft load max.	1 N	
Fastening torque mounting nut	< 1 Nm	

Other Data

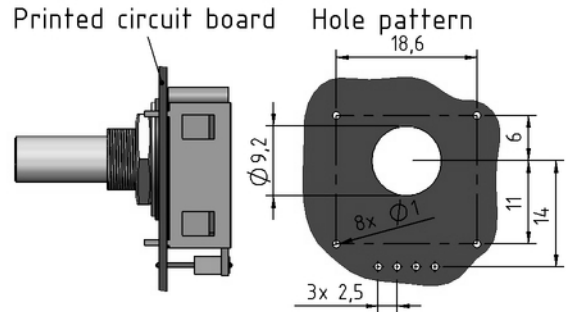
Protection class	IP40, optional IP54, IP55S (shaft)
Operating temperature	0 ... +60°C
Storage temperature	-40 ... +85°C
Housing material	zinc-plated
Shaft material	Brass
Disc material	Thermoplastic
Vibration	10-55Hz 1,5 mm 2h every direction
Shock	50 g, 11 ms
Weight	16 g

Options

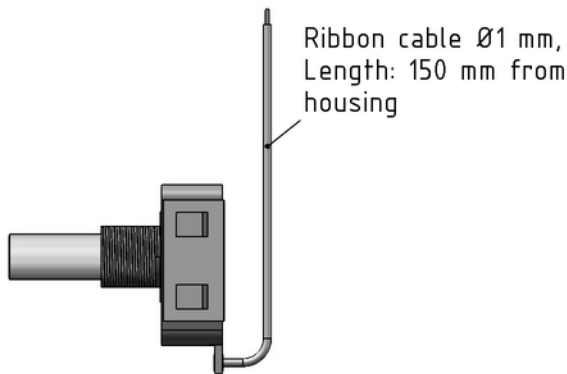
Option V2: with rear pins for PCB-mounting



Option V5: with pins on the front for PCB-mounting



Option V6: with ribbon cable:



Options and Order Description

Series	MRB						
Without detent		-					
With detent		C					
25 ppr.				25			
<u>Supply voltage</u>							
5 V				5			
3,3 V				3,3			
Output Signal A+B						B	
Without sealing ring in the bearing							-
Sealing ring in the bearing							D
<u>Design Options</u>							
Standard with solder pads							-
Solder pins to the rear side							V2
Solder pins to the front side							V5 (*)
With flat ribbon cable 150 mm							V6 (*)

The specifications and information in this datasheet cannot consider all special demands that are caused by the application. Because of this, they are no general description of the properties of the product.

11.02.2015 All specifications are subject to change without notice.