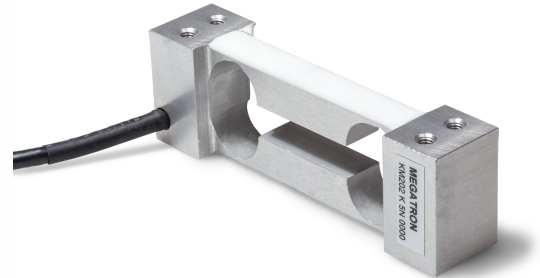
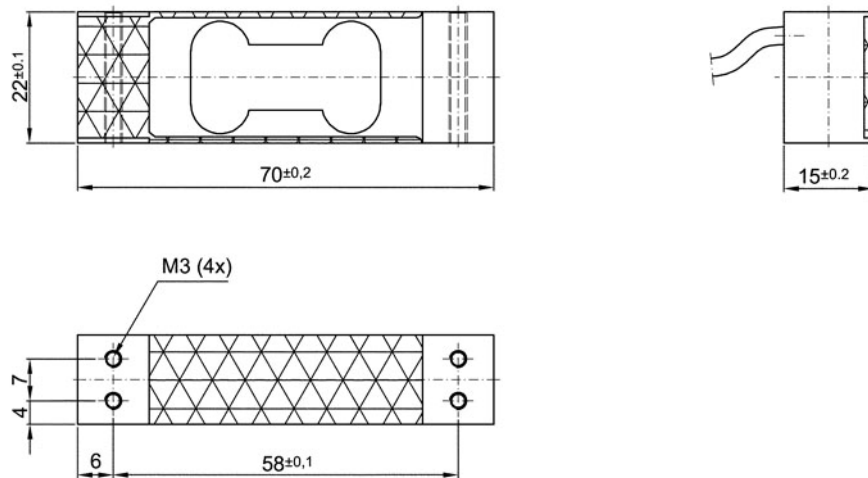


## Series KM202

- Capacity from 0...3 N to 0...100 N
- Calibration either in tension or compression
- Calibration protocol included
- Loadcell Aluminium
- Protection Class IP65
- Small off center load error (typ. 0,008% / 10mm)



## Dimensional Drawing



# Series KM202

## Technical Data

Capacity(0 to ...)	3; 5; 10 N	30; 50; 100 N
Operating Overload	120 % F.S.	
Safe Overload	150 % F.S.	
Ultimate Overload	> 200 % F.S.	
Rated Output	1	2
Rated Output Tolerance	10 % F.S.	
Zero Balance	2 % F.S.	
Non-Linearity	0,04 % F.S.	
Hysteresis	0,04 % F.S.	
Creep (30 min.)	0,06 % F.S.	
Total Error *	0,15 % F.S.	
Non-Repeatability	0,04 % F.S.	
Temp.Effect on Zero	0,025 % F.S./10K	
Temp.Effect on Output	0,025 % F.S./10K	
Legend:	* ) Hysteresis included All above values in %F.S. < = ± values Calibration protocol included	

## Mechanical Data

Measuring Method	Foil Strain Gage Full Bridge
Material Loadcell	Aluminium Alloy

## Ambient Conditions

Compensated Temperature	-10 ... +40° C
Operating Temperature	-20 ... +60° C
Protection Class	IP65

# Series KM202

## Electrical Data

Input Impedance	410 ± 15 Ω
Output Impedance	350 ± 3 Ω
Insulation	> 2000 MΩ
Recommended Excitation	10 VDC typ., 15 VDC max.
Cable Size	Length 2 m

## Signal Versions

	Supply	Signal
0000 without amplifier	10 V	10 mV / 20 mV

## Electrical Connection

Wiring	0000
black	Excitation -
red	Excitation +
green	Signal +
white	Signal -
shield	on housing

Ordering Code				Accessories
<b>Series</b>	<b>KM202</b>			<b>External Amplifiers</b> <ul style="list-style-type: none"> <li>• EMA3-DMS / EMA3-2DMS</li> <li>• IPG-DMS /IPG-2DMS</li> <li>• SI-DMS</li> <li>• IMA2-DMS</li> </ul> <b>Displays</b> <ul style="list-style-type: none"> <li>• DH28-DMS</li> <li>• Modig</li> </ul>
<b>Capacity</b>		<b>3N</b>		
		<b>5N</b>		
		<b>10N</b>		
		<b>30N</b>		
		<b>50N</b>		
		<b>100N</b>		
<b>Connection</b>			<b>K</b>	
<b>Amplifier</b>				<b>0000</b>

short-term stock types can be found on: <http://www.megatron.de/en/stocklists/load-cells/lagerliste.html>

bold print = standard option

(\*) = on request available for projects

19.02.2015