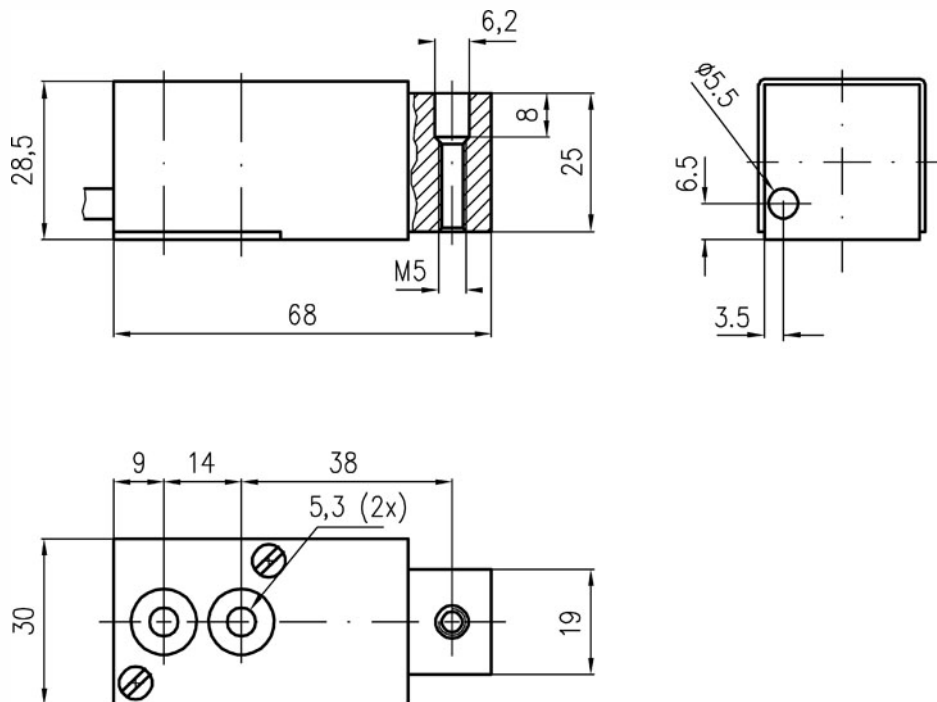


Series KM701 / KT701

- Capacity from 0...200N to 0...1000N
- Calibration either in tension or compression
- Available as loadcell only (KM701) or with integrated amplifier (KT701)
- Calibration either in N or kg, calibration protocol included
- Loadcell in Aluminium
- Small design
- Protection class IP40



Dimensional Drawing



Series KM701 / KT701

Technical Data	KM701	KT701
Capacity (0 to ...)	0,2; 0,5; 1 kN	
Operating Overload	130% F.S.	
Safe Overload	200% F.S.	
Ultimate Overload	> 300% F.S.	
Rated Output	2	-
Rated Output Tolerance	10% F.S.	-
Zero Balance	10% F.S.	0,2% F.S.
Non-Linearity	0,2% F.S.	
Hysteresis	0,15% F.S.	
Creep (30 min)	0,12% F.S.	
Total Error *	0,25% F.S.	
Non-Repeatability	0,06% F.S.	
Temp.Effect on Zero	0,1% F.S./10K	0,2% F.S./10K
Temp.Effect on Output	0,15% F.S./10K	0,2% F.S./10K
Dynamic Load Capacity	70% F.S.	
Resonance Frequency	> 900 Hz	
Fullscale Deflection	0,1 mm	
Limiting Lateral Load	20% F.S.	
Legende:	*) Hysteresis included	
	All above values in %F.S. < = ± values	
	Calibration protocol included	

Mechanical Data	
Measuring Method	Foil Strain Gage Full Bridge
Loadcell Material	Aluminium Alloy

Ambient Conditions	KM701	KT701
Compensated Temperature	-10 ... +55° C	0 ... 55° C
Operating Temperature	-25 ... +70° C	0 ... +70° C
Storage Temperature	-40 ... +80° C	-30 ... +80° C
Protection Class	IP 40	

Electrical Data	KM701	KT701
Input Impedance	400 ± 50 Ω	-
Output Impedance	350 ± 10 Ω	-
Insulation	> 2000 MΩ	
Recommended Excitation	10 typ., 12 max.	24
Cable Size	4-wire, shielded, 2m	

Series KM701 / KT701

Signal Versions

	Supply	Signal
0000 without amplifier	10V	20mV \pm 20%
2410 built in amplifier	24V \pm 20%	0 ... 10V
2442 built in amplifier	24V \pm 20%	4 ... 20mA

Electrical Connection

Wiring	0000	2410 / 2442
yellow	Excitation -	Excitation -
brown	Excitation +	24V
green	Signal +	Signal +
white	Signal -	Signal -
Shield	on housing	on housing

Order Code

Series	KM701				KT701			
Capacity	200N				500N			
					1KN			
Connection					K			
Amplifier					0000 (KM701)			
					2410 (KT701)			
					2442 (KT701)*			
Force Direction					D			
					Z*			

Accessories

External Amplifiers

- EMA3-DMS / EMA3-2DMS
- IPG-DMS / IPG-2DMS
- SI-DMS
- IMA2-DMS

Displays

- DH28-DMS
- Modig

short-term stock types can be found on: <http://www.megatron.de/en/stocklists/load-cells/lagerliste.html>

bold print = standard option

(*) = on request available for projects

19.02.2015