

Series MUP1300, MUP1350 / Singleturn Wirewound Potentiometer

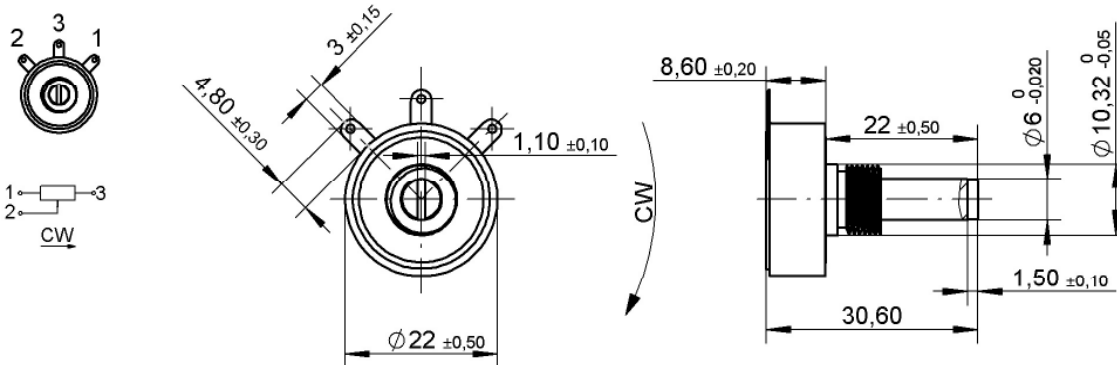
- 22 mm Plastic Housing
- Stainless Shaft
- Resistance Values from 100 Ohm to 10 kOhm
- Linearity Tolerance $\pm 1\%$ / 0,5%
- Gold-plated Brass Solder Lugs
- Electrical Angle 320° (270° on request)
- Multi ganging up to 3 Pots possible

A space-saving Potentiometer for universal applications. Because of its solid technical construction and a good resolution the MUP1300 can be used as sensor in drive engineering also. The robust design guarantees a long life. Preference types from stock.

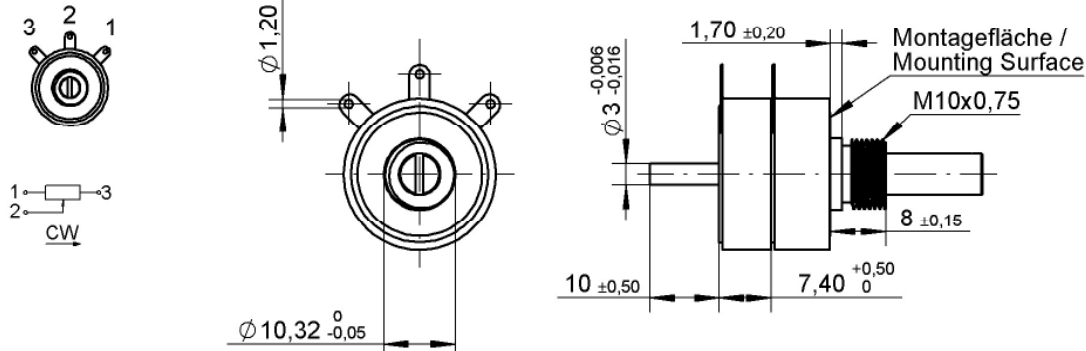


Drawing

für / for 320°



für / for 270°



Series MUP1300, MUP1350 / Singleturn Wirewound Potentiometer

Electrical Data	MUP1300	MUP1350
Electrical Angle	320° ± 5° (270° on request)	
Resistance Values	100, 200, 500, 1k, 2k, 5k, 10k Ohm	
Resistance Tolerance	± 10%	± 5%
Linearity Tolerance, independent	± 1%	± 0,5%
Noise (ENR MIL-R-12934)	< 100 Ohm	
Power Rating at + 70°C (0W at 105°C)	1,5 W	
Wiper Current	max. 34 mA / recomm. 0,1 mA	
Insulation	1000 MOhm at 1000 VDC	

Windings, Resolution							
Resistance Value	100	200	500	1k	2k	5k	10k
Windings	316	370	460	606	741	839	998
Resolution in % (100% / Winding)	0,316	0,27	0,217	0,165	0,135	0,119	0,1002

Mechanical Data	
Mechanical Rotational Angle	320° +10° (270° +10°)
Maximum Speed	10 rpm
Life	400.000 rev.
Starting Torque	0,2 Ncm
Stopper Strength	60 Ncm, typical
Fastening torque mounting nut	100 Ncm

Other Data	
Protection, optional shaft sealing	IP65
Operating Temperature	-55 ... + 105° C
Bearing	sleeve bearing
Housing Material	glass-fiber reinforced plastic (PBT)
Shaft Material	stainless steel
Connection	gold-plated solder lugs
Mounting parts	nut, tooth washer (included in delivery)
Weight	25 g

Series MUP1300, MUP1350 / Singleturn Wirewound Potentiometer

Order code

Description	Options
Series MUP1300	MUP1300
better tolerances (W5%; L0,5%) (*)	MUP1350 (*)
270° Angle (*)	MUP1307 (*)
270° Angle and better tolerances (*)	MUP1357 (*)
Resistance value [Ohm]	R500 (*) R1K R2K (*) R5K R10K R20K (*) R50K (*) R100K (*)
Rear shaft, length [mm] (*)	RA.. (*)
Special diameter of the rear shaft [mm] (*)	RADM (*)
Resistance tolerance	W10% W5% (*)
Independent linearity [± %]	L1% L0,5% (*)
Center tap (voltage type) (*)	CT (*)
Special shaft length [mm] (*)	A.. (*)
Special shaft diameter [mm] (*)	DM (*)
Screwdriver slot (*)	B (*)
Sealing ring in the bushing (*)	D (*)

short-term stock types can be found on: <http://www.megatron.de/en/stocklists/linear-sensors/lagerliste.html>

bold print = standard option

(*) = on request available for projects

For higher quantities or on-going demand, additional options are available as described below

For example:

- Other resistance values
- Mounting of cables and connectors
- Multi ganged versions for redundancy
- Special shaft design

For technical advice, projects, samples, questions about pricing, delivery times and availability please contact us

Tel.: +49 89 46094-500

export@megatron.de

The specifications and information in this datasheet cannot consider all special demands that are caused by the application. Because of this, they are no general description of the properties of the product.

2015 June 25. All specifications are subject to change without a notice.