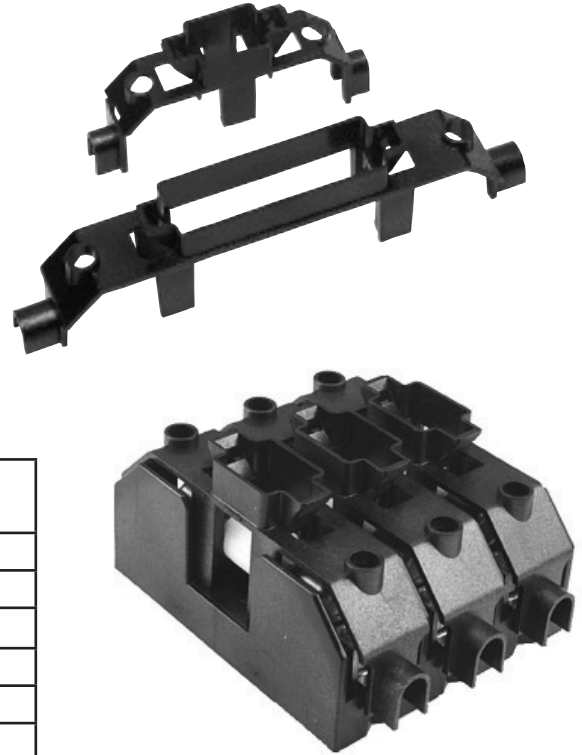


Fuse Holder Covers

Specifications:

- Material, thermoplastic
- Thermal rating, 125°C (RTI, per UL 746)
- Flammability, VO (per UL 94)
- UL listed accessories under file no. JDVS2.E181825
- In application, protection is consistent with IEC standard 529, designation IP20 (Finger Safe)* - except CJ6100-1, CJ6100-2, and CJ6100-3
- Opening allows view of self-indicating fuses
- Holes for test probes and re-tightening of wire terminations
- Covers fit most fuse holder brands
- RoHS compliant



Fuse Holder shown with Covers Attached

Fuse Type	Amps	Voltage	Catalog #	For use with Fuse Holder #
H/R	30	250	CHR230	F30A/R30A
	60		CHR260	F60A/R60A
	100		CHR2100	RF100A/R100A
	30	600	CHR630	6F30A/6R30A
	60		CHR660	6F60A/6R60A
	100		CHR6100	R6F100A/6R100A
J	30	600	CJ630	6J30A
	60		CJ660	6J60A
	100		CJ6100-1C	R6J100A
			CJ6100-2C	
			CJ6100-3C	
CC, G	30	CC630	6CC30A, Class J	
CD	60	CC660	R6CC60A	
MISC	30	CCM630**	6M30A/6CCM30A	

*Applications involving fuse holders other than Marathon may not provide IP20 finger protection

**Covers are recognized if used with recognized fuses

Cover/Puller (Catalog # CVR-MCC)

Marathon's Cover/Puller was designed for use with the Class CC (30 Amp), Midget and Class G (15 & 20 Amp only) Fuse Holders. Once installed, the Cover/Puller provides an easy and safe way to remove fuses. In application, protection is consistent with IEC Standard 529, designation IP20 (finger safe).

