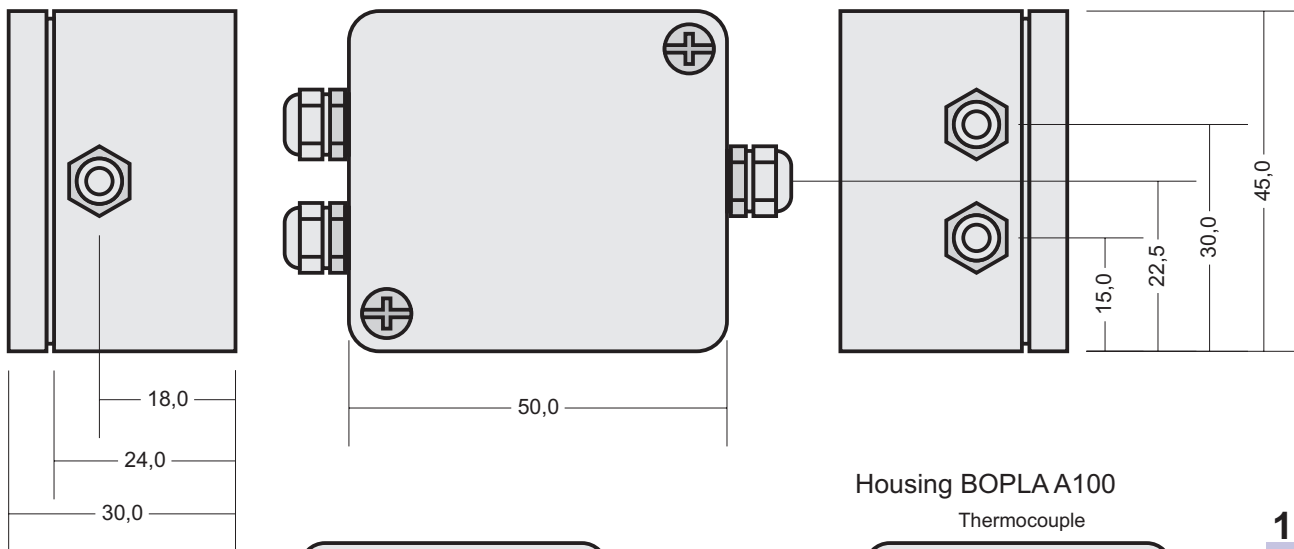
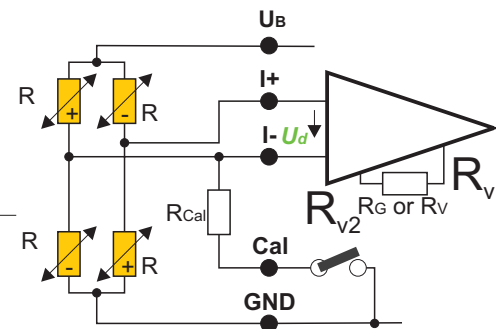


Sensor Signal Amplifier Type 8

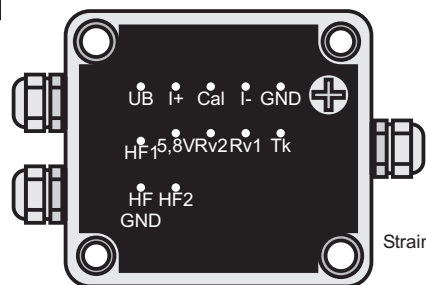


* PCM-Version

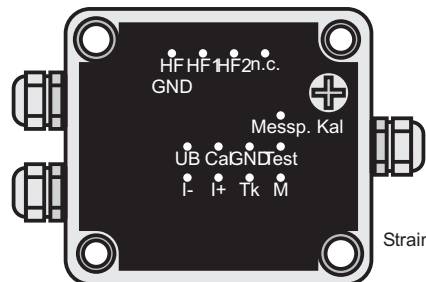
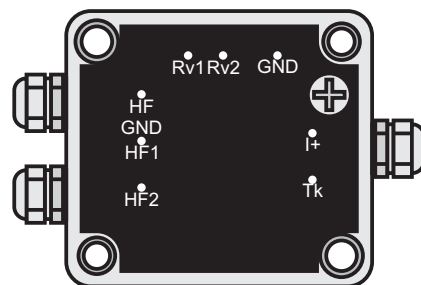


Housing BOPLAA100

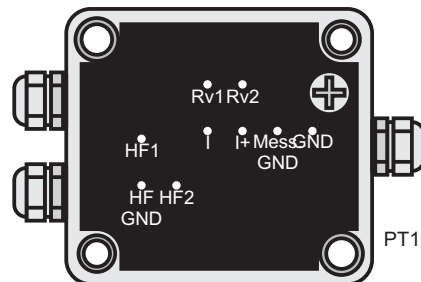
Thermocouple



Strain Gage Bridge



Strain Gage Bridge



PT100

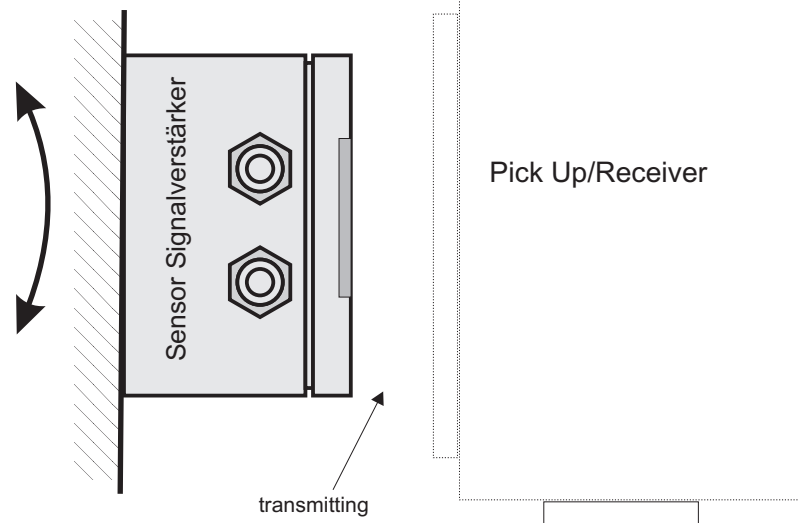
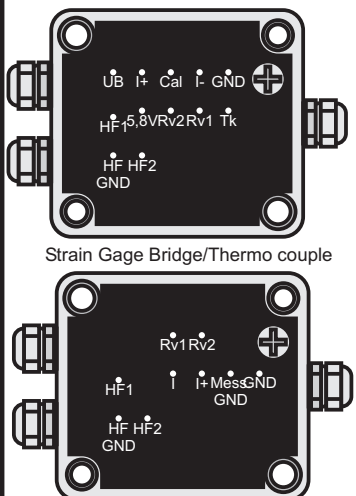
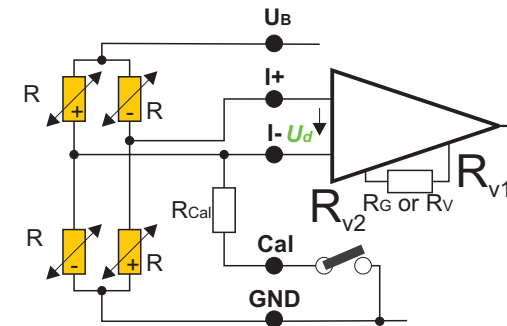
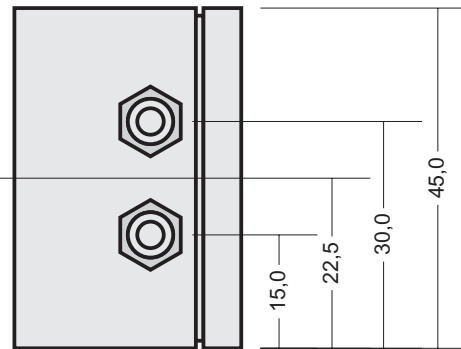
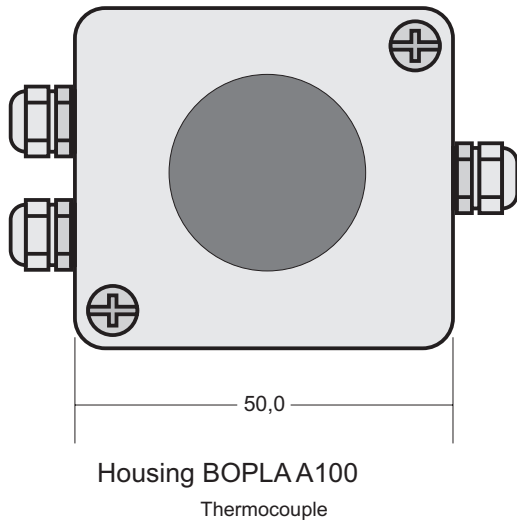
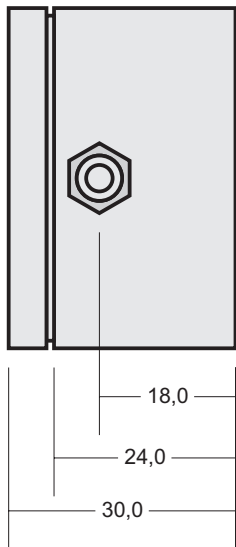
1 Channel FM/PCM Transmitter

- For strain gage, PT100, Thermocouple
- Sensitivity: 0,02 mV/V to 20 mV/V
- Bandwidth: 0 (10) Hz to 50 kHz
- Strain gage bridge supply: 6 V (3,3 V*)
- Strain gage bridge resistance: 1000 Ω
- Transmission: inductive sensortelemetry FM, PCM
- Integrated filter
- Resolution: 14 Bits, 16 Bits*
- Zero point drift: 0,02, (0,01, 0,003* option)
- Remote shunt calibration
- Remote gain, zero, auto zero with 16 Bit resolution (option)
- additional temperature channel (option)
- Environmental temperature range: -25 to +85°C (125°C, 150°C)
- Max load: 50 000 g (depending on fixing)
- Type: SV_8a_<bandwidth>_<accuracy>_<temp>_<mod>_<rmc>

1 kHz	0,02	85	FM	-
10 kHz	0,01	125	PCM16	RMC
40 kHz	0,003	150		

Sensor Signal Amplifier Type 8

* PCM-Version



1 Channel FM/PCM Transmitter with integrated antenna

- For strain gage, PT100, Thermocouple
 - Sensitivity: 0,02 mV/V to 20 mV/V
 - Bandwidth: 0 (10) Hz to 50 kHz
 - Strain gage bridge supply: 6 V (3,3 V*)
 - Strain gage bridge resistance: 1000 Ω
 - Transmission: inductive sensortelemetry FM, PCM
 - Integrated filter
 - Resolution: 14 Bits, 16 Bits*
 - Zero point drift: 0,02, (0,01, 0,003* option)
 - Remote shunt calibration
 - Remote gain, zero, auto zero with 16 Bit resolution (option)
 - additional temperature channel (option)
 - Environmental temperature range: -25 to +85°C (125°C, 150°C)
 - Max load: 50 000 g (depending on fixing)
 - Type: SV_8b_<bandwidth>_<accuracy>_<temp>_<mod>_<rmc>
- | | | | | |
|--------|-------|-----|-------|-----|
| 1 kHz | 0,02 | 85 | FM | - |
| 10 kHz | 0,01 | 125 | PCM16 | RMC |
| 40 kHz | 0,003 | 150 | | |