

Robust connectors with all-metal housing
Protection IP 67

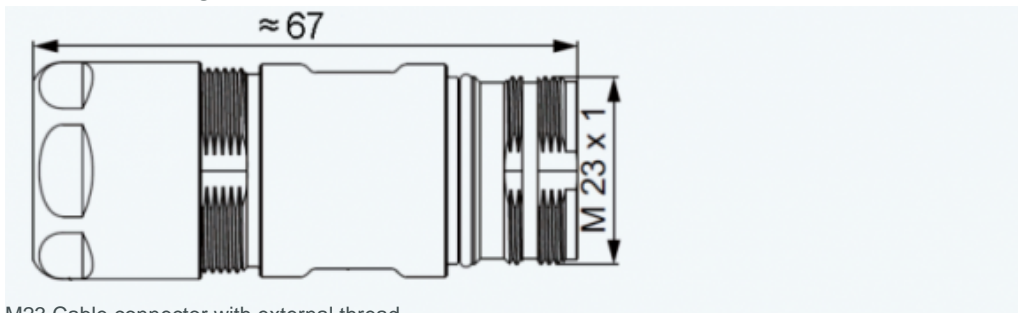


Connector M23

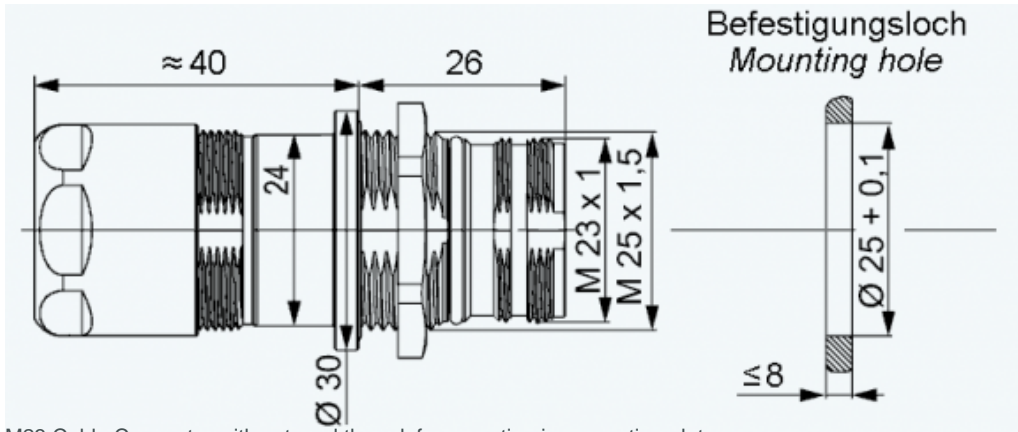
M23 connectors are typical connectors for STANDARD ENCODER and STANDARD NO SHAFT ENCODER. These connectors are very robust all-metal plugs with protection IP 67 when plugged in. For incremental encoders and absolute encoders with SSI interface 12-pin inserts are used. For absolute encoders with parallel interface and special applications contact inserts with up to 19 pins are available.

Technical data

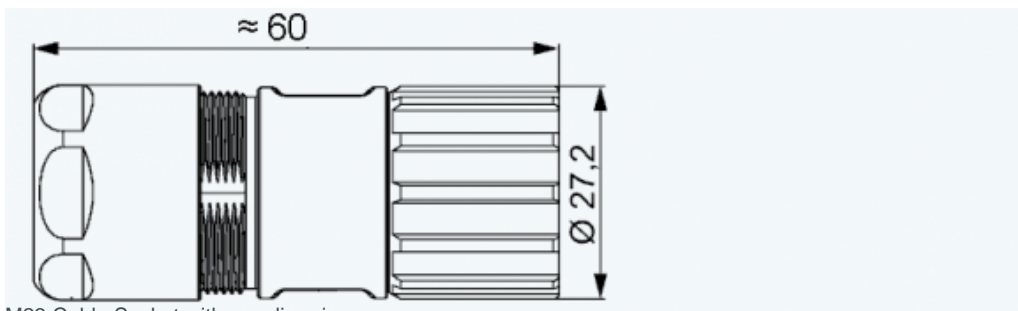
Outline drawing



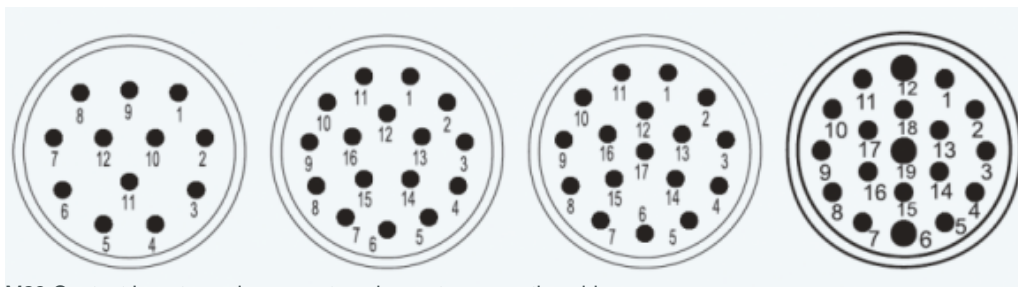
M23 Cable connector with external thread



M23 Cable Connector with external thread, for mounting in separating plate



M23 Cable Socket with coupling ring



M23 Contact Inserts, male connector, view onto connection side

INDUcoder® · INDUcoder Messtechnik GmbH, Kaiserstraße 316, 47178 Duisburg, Deutschland
Tel: (0203) 57047-0, Fax: (0203) 57047-20, E-Mail: info@inducoder.de, Internet:
www.inducoder.de