

Robust connectors with all-metal housing

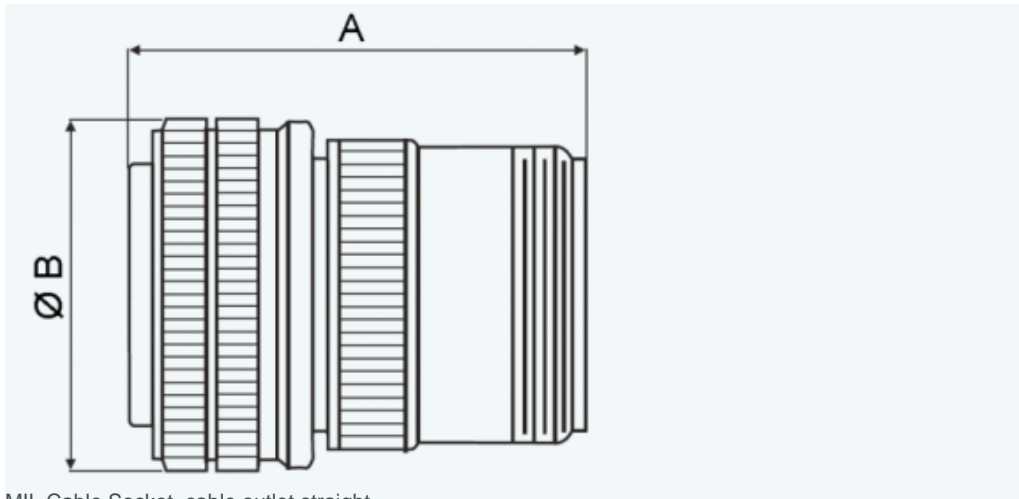


Connector MIL

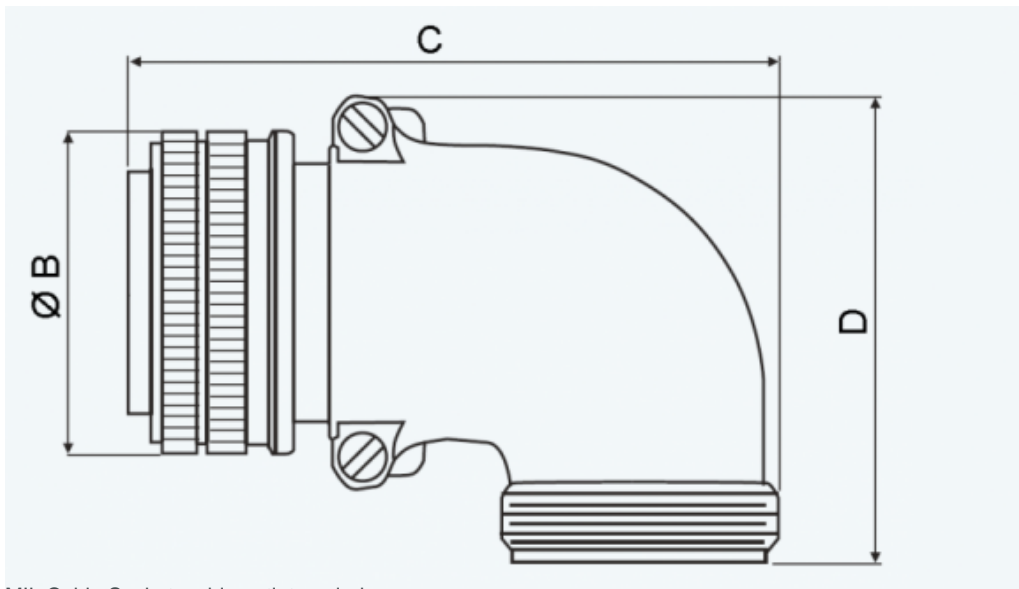
MIL connectors are very robust all-metal connectors. These connectors are often used for our ROBUST ENCODER SYSTEM AWG / AWS, but are also used for our STANDARD ENCODERS.

Technical data

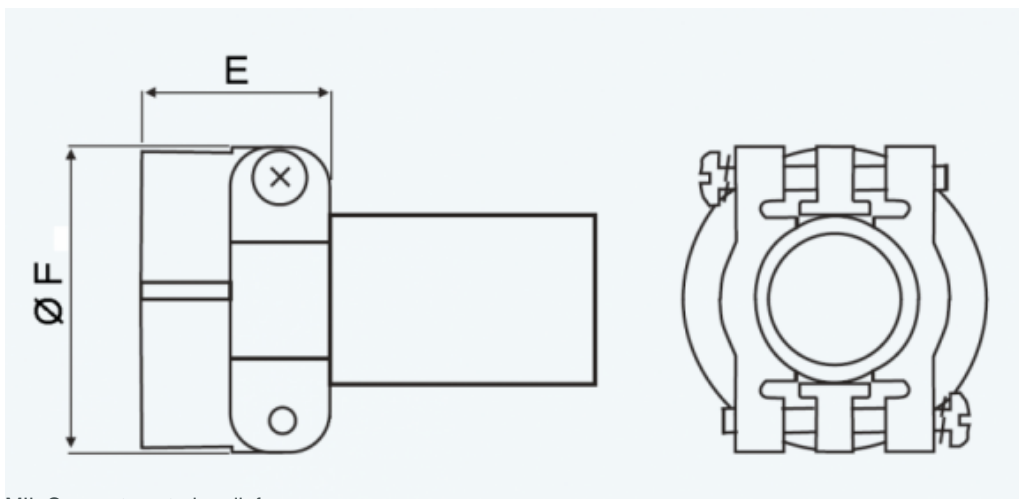
Outline drawing



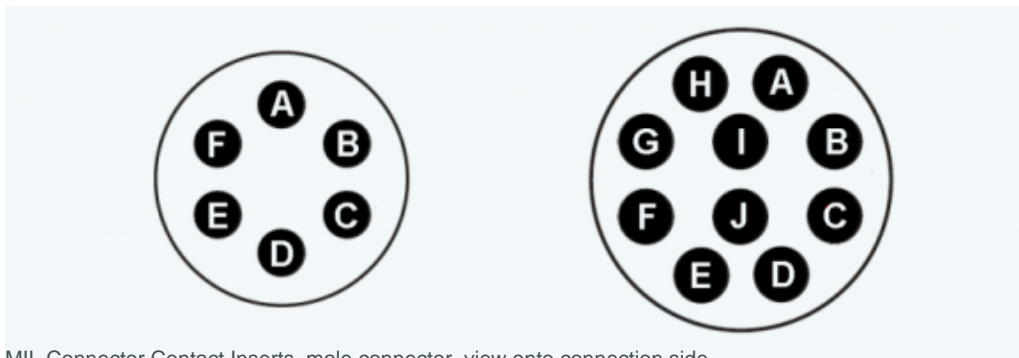
MIL Cable Socket, cable outlet straight



MIL Cable Socket, cable outlet angled



MIL Connector, strain relief



MIL Connector Contact Inserts, male connector, view onto connection side

Dimensions

Stecker/Connector	A	Ø B	C	D	E	Ø F
M06	36,5	28,6	54	41,9	22,2	27
M10	50,8	34,1	68,3	50,7	23,8	31,8

INDUcoder® · INDUcoder Messtechnik GmbH, Kaiserstraße 316, 47178 Duisburg, Deutschland
 Tel: (0203) 57047-0, Fax: (0203) 57047-20, E-Mail: info@inducoder.de, Internet:
www.inducoder.de