

# TENSION SETTER MODEL TC-OP2

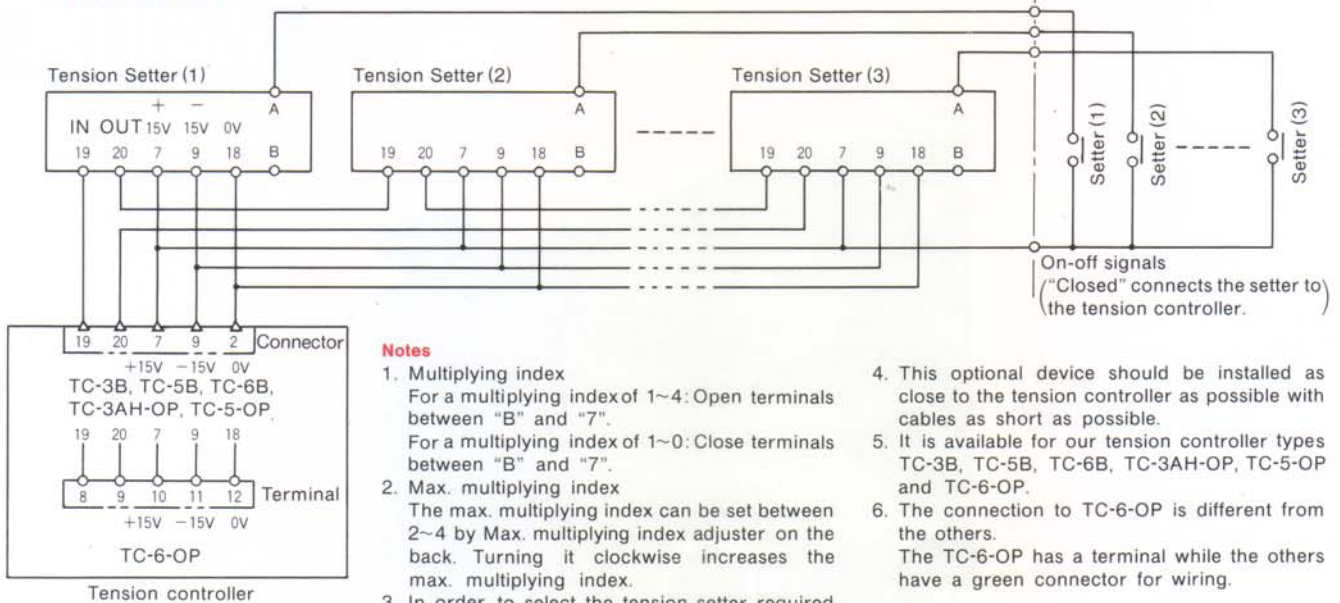
## Specifications

**Type:** TC-OP2  
**Power supply:** DC±15V  
**Power consumption:** 0.4VA  
**Input:** DC 0~10V  
**Multiplying index:**  
 1~4 or 1~0 (Selectable)  
**Colour:** Black  
**Weight:** 160g

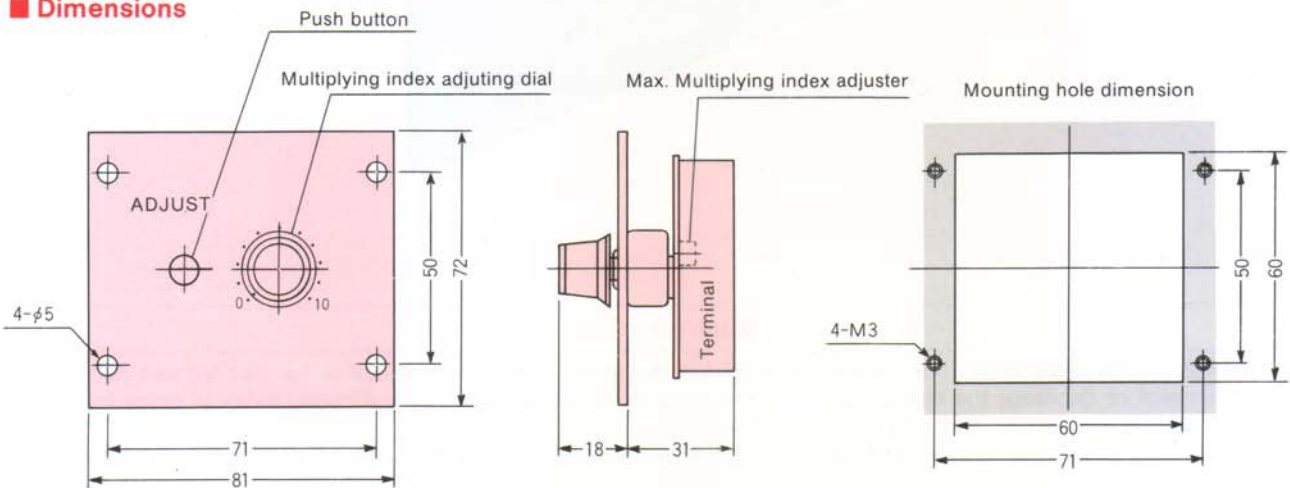
## How to adjust

1. Connect to the tension controller according to the connection diagram.
2. Open all on-off signals.
3. Make the tension controller output an optional output voltage and choose it as a standard.
4. Keep pushing the button (ADJUST) and adjust the multiplying index adjusting dial so as to obtain the desired multiplied output voltage of tension controller according to the standard. For a multiplying index of 1~4, turning the dial clockwise increases the index. For 1~0, turning the dial clockwise decreases the index.

## Connection



## Dimensions



**WADECO CO.,LTD.**

**HEAD OFFICE** WADECO Bld., 1-12-9, Meishin-cho, Amagasaki-shi,  
 Hyogo-ken 661-0021, Japan  
 TEL.+81-6-6482-3838 FAX.+81-6-6481-6321

**TOKYO BRANCH** 202 Shibuya-homes,2-1,Udagawa-cho,Shibuya-ku,Tokyo  
 150-0042,Japan  
 TEL.+81-3-3770-5519 FAX.+81-3-3770-5520

URL : <http://www.wadeco.co.jp>

This specification may be changed without notice.