



# TE 115

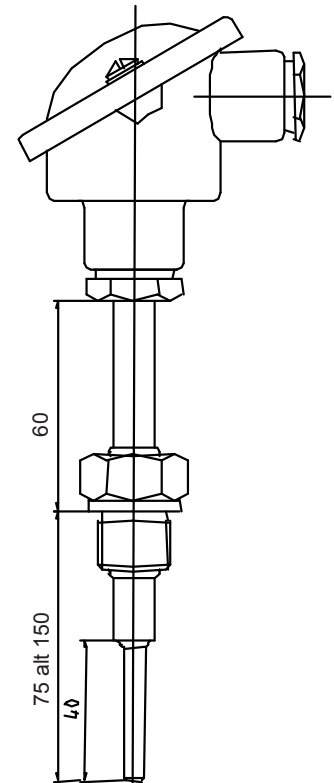
## Resistance Thermometer

### Application

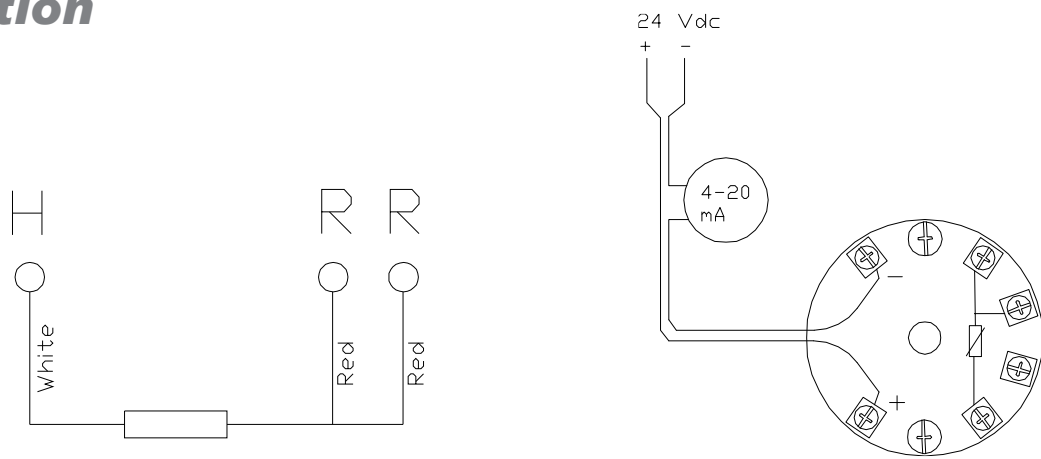
Measurement of temperatures in gases, vapors and liquids, e.g. in closed pipelines.

### Technical Data

<b>Measuring insert</b>	Interchangeable, according to IEC 751, 1 x Pt-100, Class/ DIN B
<b>Protecting tube</b>	
<b>Form B</b>	According to DIN 42729
<b>Tube diameter</b>	12 / 7.1 mm
<b>Length</b>	75 or 150 mm
<b>Material</b>	Acid proof steel AISI 316
<b>Mounting thread</b>	R 1/2" (DIN 228)
<b>Connection head</b>	
<b>Form B</b>	according to DIN 43729
<b>Material</b>	Light alloy metal
<b>Protective rating</b>	IP54
<b>Cable gland</b>	PG 16
<b>Response time</b>	
<b>Water at 0.4 m/s</b>	$\tau$ 63% = 10 sec
<b>Air at 3.0 m/s</b>	$\tau$ 63% = 360 sec
<b>Transmitter</b>	
<b>Power supply</b>	8-35 V
<b>Output signal</b>	4-20 mA

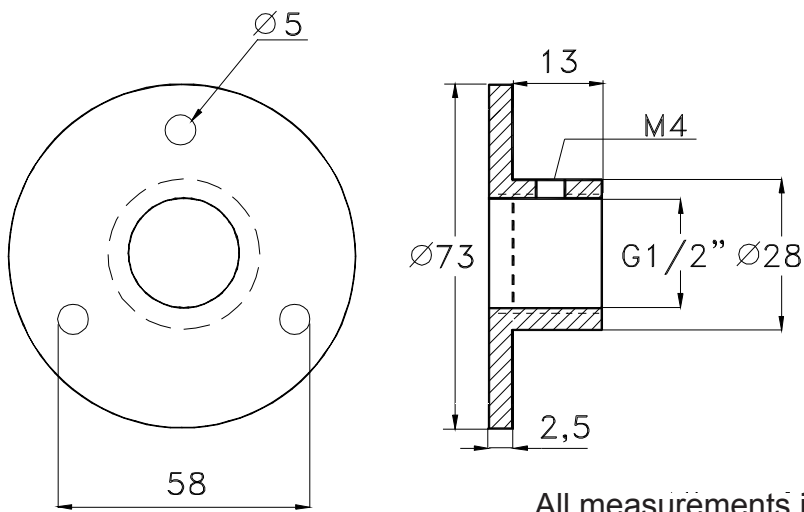


## Connection



Temperature transmitter

## Console



All measurements in mm