

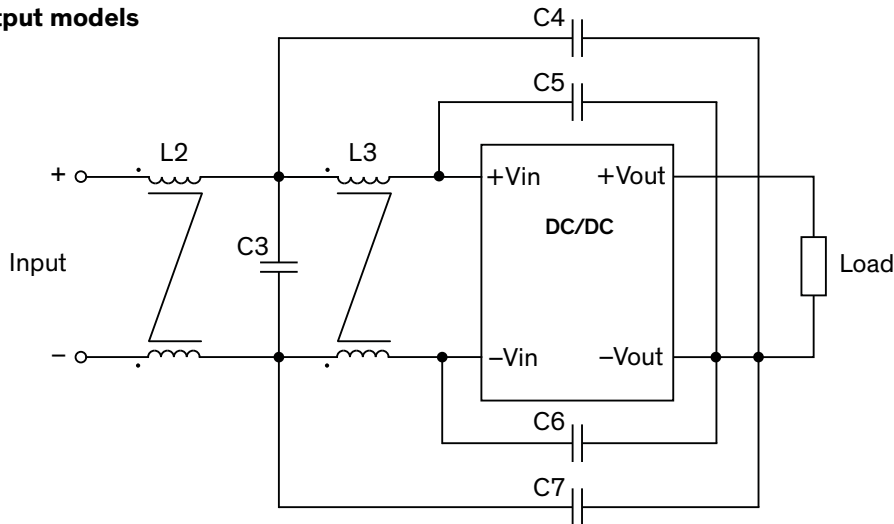
### EMI Consideration

#### Suggested filter to comply with EN 55032 Class A limits

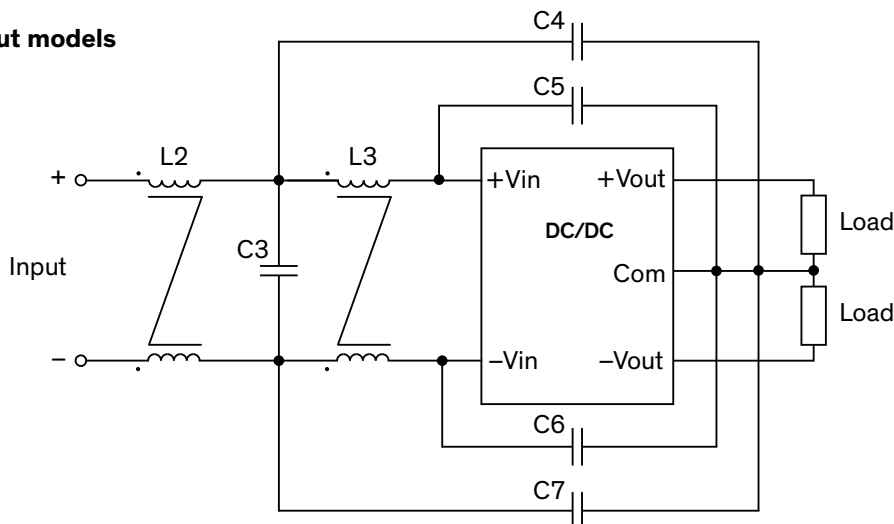
TEL 10WI series meet EN 55032 Class A without external componets.

#### Suggested filter to comply with EN 55032 Class B limits

##### Single output models



##### Dual output models



#### Suggested components to comply with EN 55032 Class B limits

Model	L2	L3	C3	C4,C7	C5,C6
TEL 10-xxxxWI	1 mH / 2.5 A / 55 mOhm CMC: 7448012501	0.4 mH / 4.5 A / 22 mOhm CMC: 7448014501	2.2 $\mu$ F / 100 V 1206 MLCC	100 $\mu$ F / 2 kV 1808 MLCC	470 pF / 2 kV 1808 MLCC