



TELIS 8000

To answer to every need JM Concept has designed a new range named TELIS:
TELIS 8000 range **frequency input**, characterized by:

- Its graphic screen display, and it's joystick make it an user-friendly and easily programmable device.
- Its USB front face socket enables a very simple programmation with PC.
- TELIS 8000 is designed in JM concept case unplugable from its DIN RAIL wiring base
- Its cutting edge technology allows TELIS 8000 to have exceptional characteristics.
- Its output configurations, fitted to market, allow to give solutions to all applications.



18 chemin des Tard-Venus - BP37 - F69530 BRIGNAIS - FRANCE
Tel : 33 (0)4 72 318 318 - Fax : 33(0)4 72 318 311
mail : jmc@jmconcept.com - site : www.jmconcept.com

TELIS 8000

TELIS 8000 is a frequency input transmitter.

TELIS 8000 offers 1, 2 current or/and tension outputs, 1, 2, 4 relay outputs. TELIS 8000 has also a RS485 modbus and an USB front face socket allowing a very simple programming with PC. The free software **SETLINE** enables a very simple product configuration, and to save configurations, etc....

TELIS 8000 is designed in 22.5mm or in 45mm width case, with or without graphic screen display, and joystick, according to references.

TELIS 8000 has several outputs solutions :

TELIS 8000 INPUTS & OUTPUTS

INPUTS	OUTPUT		COMMUNICATION
	ANALOGUE	RELAYS	
Frequency Input	1 Current or Voltage output	1 Relay 1RT	RS485 Modbus on Screw terminals
	2 isolated Current and/or Voltage output	2 Relays 1RT or 1RT & 1T	USB socket on front face
4 relays 1T			

TELIS 8000 : FUNCTIONS

DISPLAY	LCD graphic screen display.
INPUT DISPLAY	LCD graphic screen enables display input in Hertz and in programmed value.
OUTPUT DISPLAY	LCD graphic screen enables to display, outputs programmed value or in percent, it displays also alarms status.
PROGRAMMATION	Programmation with 5 ways JOYSTICK on front face.
INPUT	Input: Frequency square, trapézoïdal, sinusoidal, relay contact.
OFFSET	OFFSET setting.
SIMULATION	Simulation function allows action concerning analogue, relays, digital, outputs (RS485 & USB) and the display separately from the input and without disconnecting input or outputs.
OUTPUTS LIMIT	Open the possibility of outputs limitation – High Limitation or Low Limitation.
MEMORISATION	Open the possibility of memorisation the last measured value in default case.
ALARMS RESET	Separately on each alarm.
ALARMS MEMORISATION	Separately on each alarm.
USB	USB front face socket enables to connect with PC (via USBLINE) for a very simple device configuration.
MAPPING	Modbus address mapping enables to choose your own parameter address.
OUTPUT SCALE FACTOR	Enables to provide a magnifying effect on input 1 in manual or in automatic calibration.



TELIS 8000 : FUNCTIONS

MINI/MAXI MEMORY	Maxi and mini measurement value memorizing
SAFETY SENSOR	Shows sensor break display, on digital output on analog output(s) (by entering drop out value), and on relays outputs, independent for each output
THRESHOLD	Simple mode or band-mode with positive or negative safety.Threshold, hysteresis and temporization adjustment (separately from the rise or the fall). Direct access to the thresholds. Alarm memorizing and alarm deleting.
OTHER FUNCTIONS	Cut OFF ; Résolution ; Comma ; Filtering ; Contrast setting ; Programmation mode ; Display light off ; Joystick lock.
COMMUNICATION	All transmitters have a bidirectional communication RS485, so it is possible to recover the measurements and to send them in digital, but it is also possible to configurate and to drive the transmitter. This communication is doubled with USB socket on front face.

TELIS 8000 : CHARACTERISTICS

FREQUENCY	Frequency square, trapézoïdal, sinusoïdal, relay contact
Frequency range	2Hz to 1000Hz; 2Hz to 2000Hz; 500Hz to 10kHz; 1kHz to 100kHz
Level	5/20 V; 20/45 V; 50/300 V
SENSOR SUPPLY	2 or 3 wires sensors – Sensor supply : 15V – 24mA max
CURRENT OUTPUT 1 / OUTPUT 2	Standard scales : 0/20mA ; 4/20mA Standard scale : From 0 to 20mA
VOLTAGE OUTPUT 1 / OUTPUT 2	Standard scales : 0/10V ; +/-10V Standard scale : From 0 to 10V
COMMUNICATION	USB on front face RS 485 Modbus isolated from input and output 1
RELAY OUTPUT	Relays : 1 C/O ; 2 C/O ; 4 N/O ; 1C/O & 1 N/O
INPUT IMPEDENCE	1 M Ω
OUTPUT IMPEDENCE	
Current output 1 & 2	< 1000 Ω
voltage output 1& 2	> 4k Ω
RELAY OUTPUT	Relay 1C/O ou 1N/O : 2A/250Vac
Precision class	0.1
Analogue/Digital input conversion	24 bits
Digital/analogue output conversion	16 bits
Response time	<250ms
Thermal drift	< 50ppm
Current output residual ripple	< 20 μ A
Voltage output residual ripple	< 10mV
ISOLATION	
Power supply / Input / Output	5000Vdc - 3750Vac, 50Hz, 1mn
Input / Output 1 / Ouptut 2	5000Vdc - 3750Vac, 50Hz, 1mn
Output 1 / Communication	5000Vdc - 3750Vac, 50Hz, 1mn
Output 2 / Communication	Without

TELIS 8000 : CHARACTERISTICS

POWER SUPPLY

Universal power supply 20Vdc /370Vdc & 80Vac /256Vac
 Option 20Vac /60Vac

MAXIMUM CONSUMPTION

< 4VA

TEMPERATURE

Operating temperature -10°C /+60°C
 Storage temperature -25°C /+80°C

PROTECTION INDEX

IP20

CASE

Black self-extinguible V0

TELIS 8000 : RANGE

TELIS 8000 is declined in two ranges:

- Transmitters with graphic screen display, programmation joystick, and USB front face socket.
- Transmitters without graphic screen display, nor programmation joystick, but with USB front face socket

REFERENCES WITH GRAPHIC SCREEN DISPLAY	FREQUENCY INPUT	1 ANALOG.	2 ISOLAT. ANALOG.	1 RELAY	2 RELAYS	4 RELAYS	RS485 & USB	CASE WIDTH		REFERENCES WITHOUT GRAPHIC SCREEN DISPLAY
								22,5 mm	45 mm	
TELIS 8000U0	●						●	●		TELIS 8000T0
TELIS 8000U1	●	●					●	●		TELIS 8000T1
TELIS 8000U2	●		●				●	●		TELIS 8000T2
TELIS 8150U1	●	●		●			●	●		TELIS 8150T1
TELIS 8250U0	●				●		●	●		TELIS 8250T0
TELIS 8200U1	●	●			●		●		●	TELIS 8200T1
TELIS 8200U2	●		●		●		●		●	TELIS 8200T2
TELIS 8400U1	●	●				●	●		●	TELIS 8400T1

OPTIONS	PRODUCT CODE
Varnish TELIS	TELIS 8x0xUx-T / TELIS 8x0Tx-T
Power supply 20Vac / 60Vac	TELIS 8x09Ux / TELIS 8x09Tx

INPUT CHANNELS SWITCH SETTINGS FOR TELIS 8000

INPUT SWITCH	SIGNAL VOLTAGE	1	2	3	4	5	6
Frequency	5 -20V	●					
Fréquency	20 -45V	●	●				
Fréquency	50 - 300 V	●		●			
relay contact					●		●
NPN					●		●
PNP					●	●	

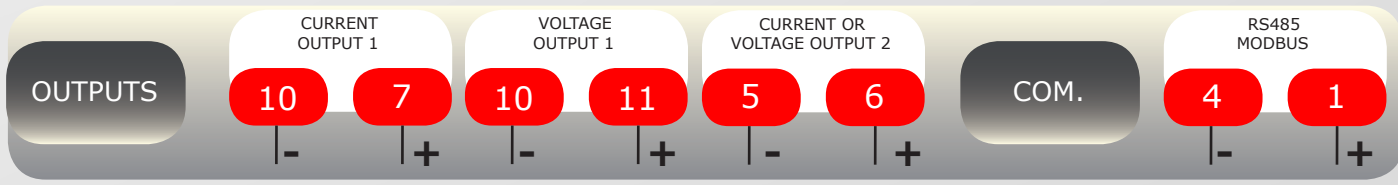


TELIS 8000 : INPUT WIRING

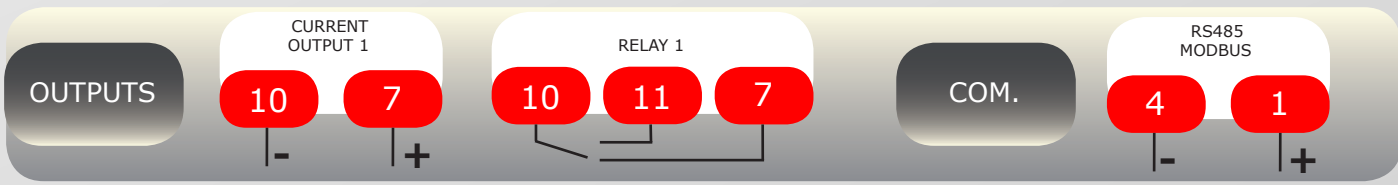


TELIS 8000 : WIRING

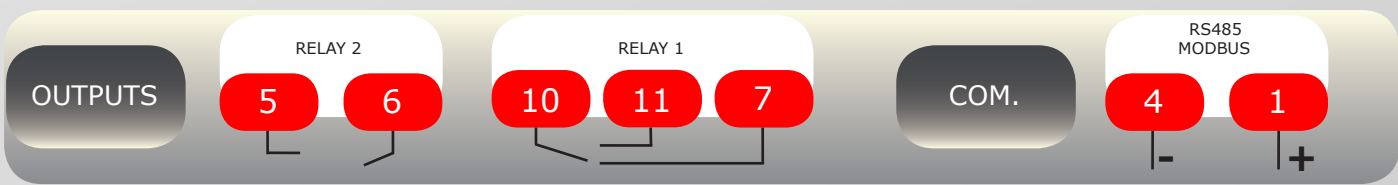
TELIS 8000U0, 8000T0, 8000U1, 8000T1, 8000U2, 8000T2 OUTPUTS WIRING



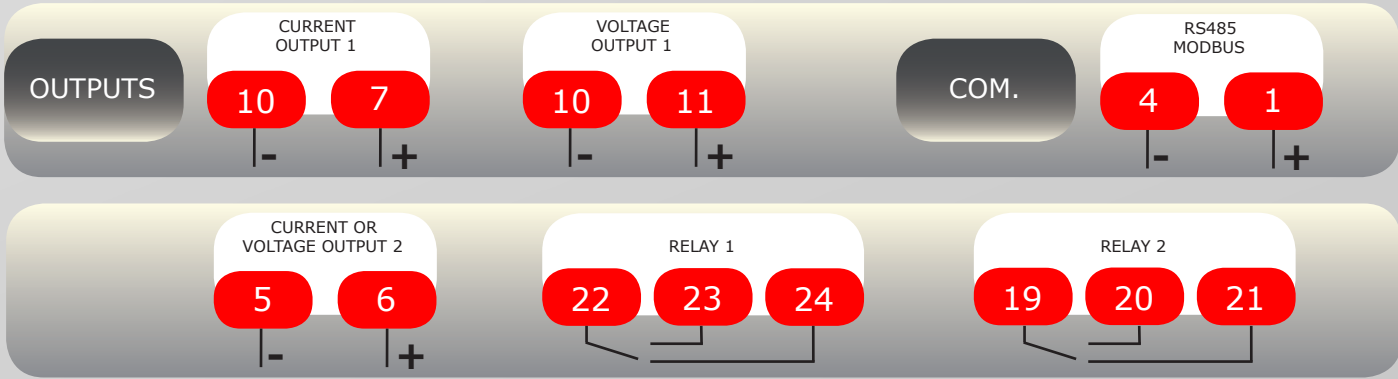
TELIS 8150U1 OU 8150T1 OUTPUTS WIRING



TELIS 8250U0 OU 8250T0 OUTPUTS WIRING

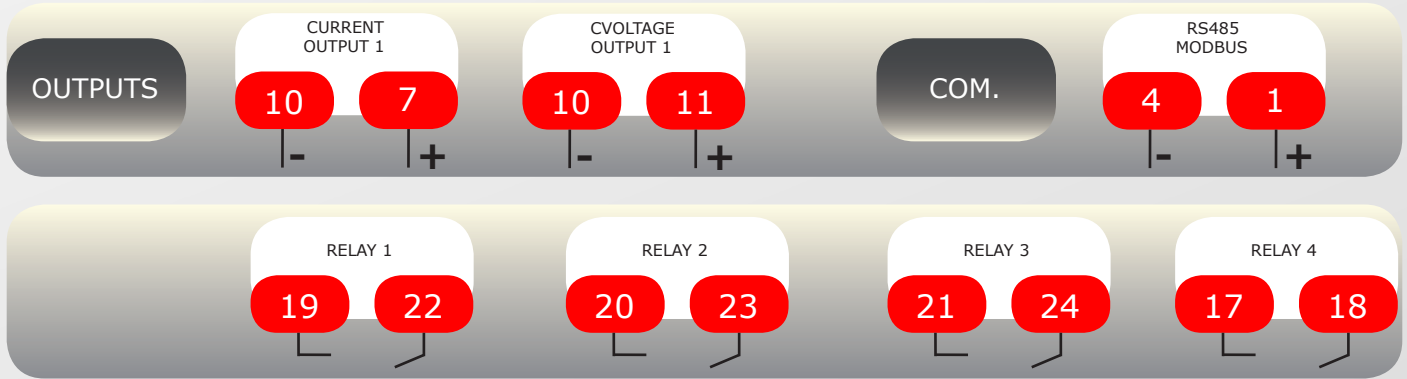


TELIS 8200U1; 8200T1; 8200U2; 8200T2 OUTPUTS WIRING



TELIS 8000 : WIRING

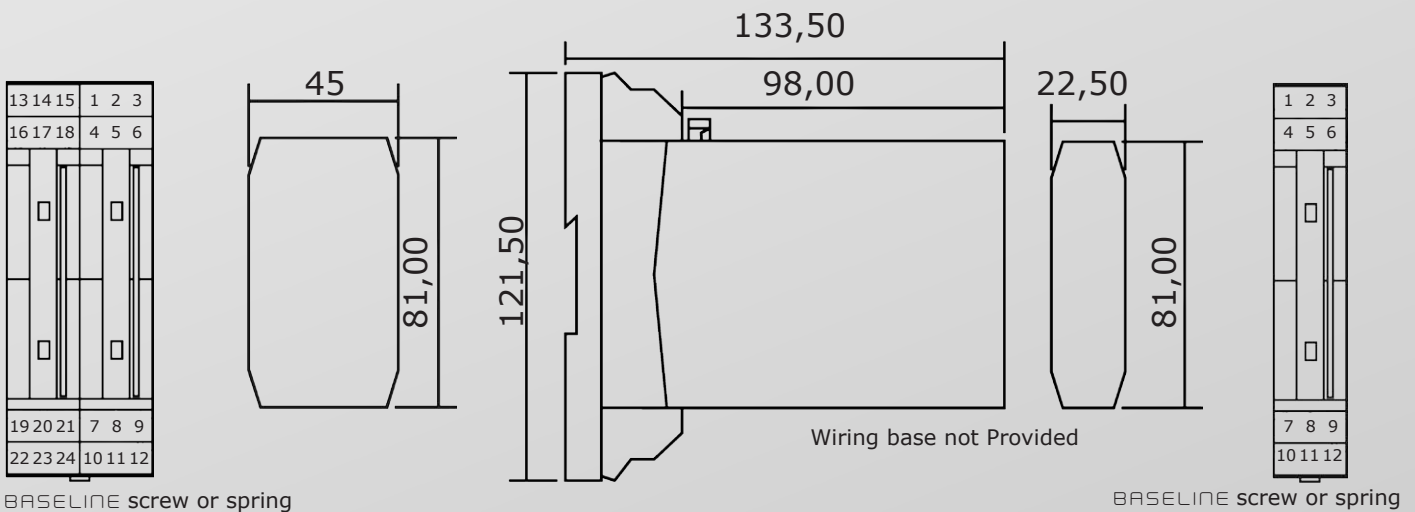
TELIS 8400U1 OU 8400T1 OUTPUTS WIRING



TELIS 8000 : DIMENSIONS AND TERMINALS

45mm CASE

22,50mm CASE



TELIS 8000 : FACTORY SET UP

Input : 0/1000Hz
 Output 1 : 0..4..20mA Display 0/1000
 Output 2 : 0..4..20mA Display 0/1000
 Modbus adress : 1

Relay (1N/O, 1C/O)
 High Alarm
 Threshold : 1000
 Digital output speed : 9600bauds

Other adjustment on request

SL04-ENG- Non contractual datasheet.
 Subject to change without notice