

DOCUMENTATION

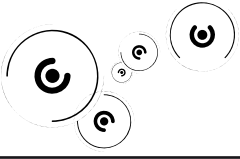


ULCOS is a real concentrate of technology, mixing performance and versatility. It is able to meet your high level expectation, for technical tender specifications.

Its affordable price allows you to meet your budget target.

10 years warranty, **ULCOS** is a reliable and long term solution for all your measures conversion applications and signal insulation.

JM Concept 18, chemin des Tard-Venus - BP 37 - 69530 - Brignais - France
Tel : 33 (0) 4 72 318 318 - Fax : 33 (0) 4 72 318 311

	INPUT		OUTPUTS		
	Universal	Sensor supply	1 analogue output	2 analogue outputs	2 Relays outputs
ULCOS 920D0	✓	✓			✓
ULCOS 900D1	✓	✓	✓		
ULCOS 920D2	✓	✓		✓	✓

VIEW





INPUT

CURRENT (Dc)	Available scale : 0/20mA, 4/20mA Settable scale : From 0mA to 22mA
VOLTAGE (Dc)	Available scale : 0/100mV, 0/10V Settable scale : From 0mV to 110mV and from 0V to 11V
RTD	PT100 - PT1000 2 or 3 wires
RESISTOR 2 wires	1K Ω - 5K Ω - 10K Ω - 50K Ω
SPECIAL TABLE FOR PTC - NTC	Scale 1K Ω - 5K Ω - 10K Ω - 50K Ω
THERMOCOUPLE	J, K, T, B, R, S, E, NiMo, N, W3/C, W5/D, P
POTENTIOMETER	From 470 Ω to 100K Ω
SENSOR SUPPLY	Sensor 2 or 3 wires < 19V - < 26mA max

OUTPUTS

CURRENT	Available scale : 0/20mA, 4/20mA Settable scale : From 0mA to 22mA
VOLTAGE	Available scale : 0/10V Settable scale : From 0 to 11V
RELAY	1 C/O – 500mA / 250V

FUNCTIONS 1/2

DISPLAY TYPE	Green LCD no backlight
DISPLAY	Input in real value or programmed value Outputs in programmed value or percentage Relays state
DISPLAY SETTING	Automatic display resolution setting according to temperature value
INPUT SCALE FACTOR	Allows providing a magnifying effect on input in manual or automatic calibration
OUTPUT SCALE FACTOR	Allows providing a magnifying effect on output and on display
PROGRAMMATION	Programmation on front face with joystick 5 positions
MINI / MAXI MEMORY	Maximum and minimum measured values memorization
MEMORISATION	Memorization possibility of last measured value in case of sensor brake
OFFSET	Input Offset setting on all inputs type



FUNCTIONS 2/2

TARE	Tare setting process input
SIMULATION	Simulation function allows action concerning analogue output, relays and display separately from input and without disconnecting input or outputs
OUTPUT LIMITS	Allows outputs limitation values – High and low limits
CJC	Cold Junction Compensation with 16Bits digital sensor
SENSOR SAFETY	Shows sensor break on display, on relay outputs, on analogue output (by entering drop out value)
100 POINTS LINEARIZATION	Linearization allows creating an output function by input signal segmentation
RESISTIVE PTC - NTC LINEARIZATION	Allows to create the curve PTC or NTC by segmentation of the input signal (only by software IXLOG ULCOS via ULCOS 100)
SEUILS	Simple mode or band-mode with positive or negative safety. Threshold, hysteresis and temporization adjustment (separately from rise or fall). Direct access to thresholds setting. Alarm memorizing and alarm deleting
ALARMS RESET	Separately on each alarm
ALARMS MEMORISATION	Separately on each alarm
OTHER FUNCTIONS	Cut Off - Resolution 1 or 10 digits - Comma - Filtering - Joystick locking Contrast display setting

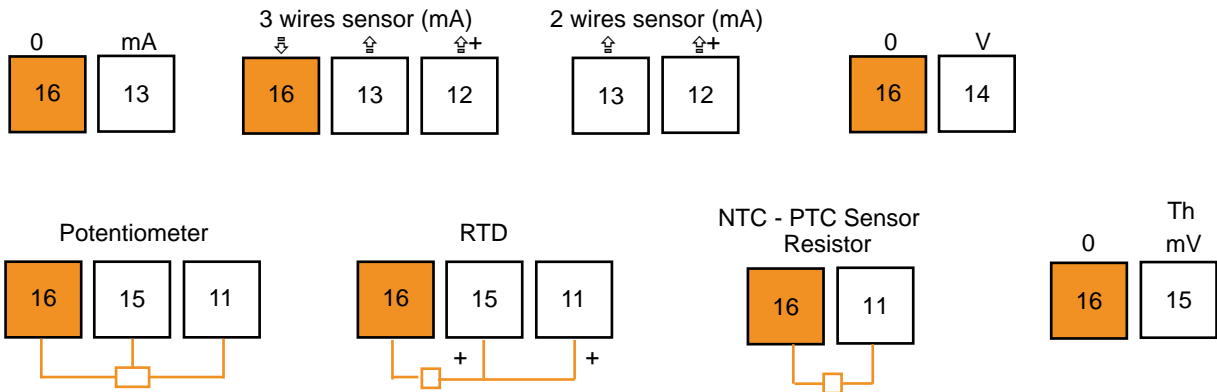


TECHNICAL CHARACTERISTICS

<p>INPUT IMPEDANCE</p> <p>Current input 5,6Ω</p> <p>Voltage input mV and thermocouple 10 MΩ</p> <p>Voltage input 10V 1 MΩ</p> <p>RTD current 1mA</p>	<p>RESPONSE TIME</p> <p>Process, thermocouple, Resistor 2 wires < 70ms</p> <p>RTD potentiometer < 150ms</p>
<p>OUTPUT IMPEDANCE</p> <p>Current output < 700Ω</p> <p>Voltage output > 2kΩ</p>	<p>ISOLATION</p> <p>Supply / Input 2500Vac, 50hz, 1mn</p> <p>Input / Analogue Output 2500Vac, 50hz, 1mn</p> <p>Ana. output 1 / Ana. output 2 Sans</p> <p>Supply / Ana. Output 2500Vac, 50hz, 1mn</p>
<p>RESIDUAL RIPPLE</p> <p>Current output < 20 μA</p> <p>Voltage output < 10mV</p>	<p>CONSUMPTION < 4Va</p>
<p>PRECISION CLASS</p> <p>Precision class 0.10</p> <p>Analogue input/digital conversion 16 bits</p> <p>Digital output/analogue conversion 16 bits</p>	<p>POWER SUPPLY INPUT 20Vdc - 240Vdc 80Vac - 256Vac 50 - 60 Hz</p>
<p>THERMAL DRIFT < 25ppm</p>	<p>TEMPERATURE</p> <p>Operating temperature - 10°C / + 60°C</p> <p>Storage temperature - 25°C / + 80°C</p>
	<p>PROTECTION INDEX IP20</p> <p>OPTION Tropicalization</p>

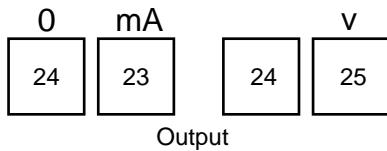


INPUT

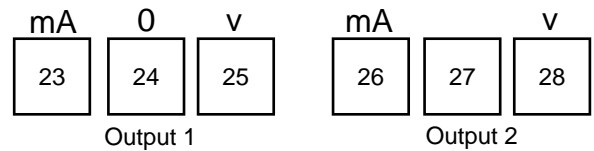


OUTPUTS

ULCOS 900D1

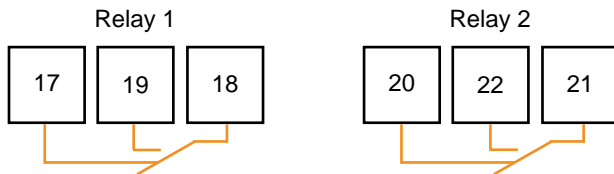


ULCOS 920D2



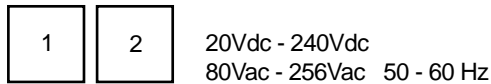
ULCOS 920D0

ULCOS 920D2



Power supply input

Without polarity



Dimensions

Case
Width: 17.5 mm maximum
Height: 76 mm
Depth: 106 mm

