

**Ultra Compact Telecentric**

# VS-MTC

3.45  $\mu\text{m}$

SERIES

Industry's Smallest and Lightest <sup>\*1</sup>  
S-mount Telecentric Lens

\*1: An in-company investigation (Apr. 2019)



1.6 Mega Pixel, 1/2.9"  
Opt. Mag.: 0.69x / 1.0x / 2.0x  
WD: 15mm (O/I < 55mm)

## Industry's Smallest and Lightest <sup>\*1</sup> S-mount Telecentric Lens

\*1: An in-company investigation (Apr. 2019)

### Features

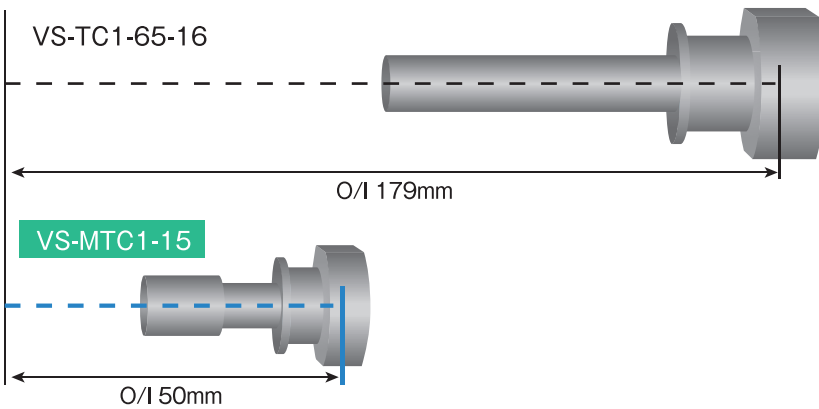
- Ultra compact and light weight 10g (1.0x) Telecentric lens.
- 3 models 0.69x/1.0x/2.0x
- 3.45 $\mu$ m Resolution
- Optional lock ring is available



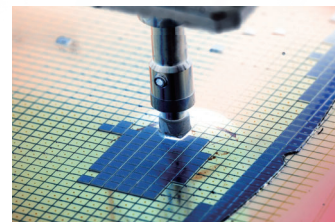
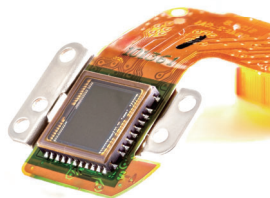
Model No.	Opt. Mag.	Coaxial	WD	O/I	Dimension	Max Sensor
VS-MTC069-15	0.69x	-	15mm	55mm	$\phi$ 15 x L=35mm	1/2.9"
VS-MTC1-15	1.0x	-	15mm	50mm	$\phi$ 14 x L=30mm	1/2.9"
VS-MTC2-15	2.0x	-	15mm	55mm	$\phi$ 14 x L=35mm	1/2.9"

### Compact Design

Short O/I design in combination with a compact camera enables to install a vision system into limited spaces!



### Embedded Vision



### International Sales Offices

**VST Europe (Winterthur)**  
TEL: +41-52-508-0109

**VST Poland (Warsaw)**  
TEL: +48-22-492-6683

**VST Vietnam (Hanoi)**  
TEL: +84-24-6327-8566

**VST Shenzhen (Shenzhen)**  
TEL: +86-755-8273-1420

**VST Taiwan (Hsinchu)**  
TEL: +886-3-668-1381(ext.9)

**VST America (Santa Clara)**  
TEL: +1-408-753-5115

**VST Europe (Amsterdam)**  
TEL: +31-20-305-1310

**VST Russia (Moscow)**  
TEL: +7-903-173-7231

**VST India (Bengaluru)**  
TEL: +91-80888-31893

**VST Shenzhen (Shanghai)**  
TEL: +86-21-6255-0725

**VST Taiwan (Kaohsiung)**  
TEL: +886-7-586-8957

**VST Mexico (Guadalajara)**  
TEL: +52-33-3002-4076

**VST Europe (Paris)**  
TEL: +33-1-8288-5798

**VST Thailand (Bangkok)**  
TEL: +662-260-0912

**VST Korea (Seoul)**  
TEL: +82-2-2183-3848

**VST Taiwan (Taipei)**  
TEL: +886-2-2531-2036

**VST America (Chicago)**  
TEL: +1-847-952-3800