


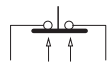


Series - W300

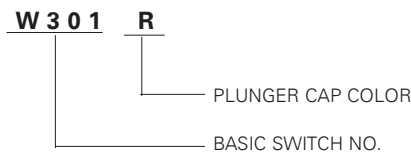
PUSHBUTTON SWITCHES Moisture-proof Pushbutton Switches

FEATURES	SPECIFICATIONS	CURRENT RATINGS							
		28VDC			125VAC ^①				
		Part Number	Number of Poles	Type of Operation	Resistive	Inductive	Lamp	Resistive	Inductive
<ul style="list-style-type: none"> Moisture-proof Momentary snap action Black plunger (as standard) Various color adapters available 	<ul style="list-style-type: none"> Electrical life: 25,000 operations minimum at rated current Temperature range: -67°F to +185°F (-55°C to +85°C) Exceeds MIL-PRF-8805 Seal Level 2 Operating force: 5 ± 1 lb (22N ± 4.4N) Total plunger travel: 0.085 in. (2.2mm) approx. Weight with adapter: 0.025 lbs approx. 	W300	1	Momentary	10	5	3		15
		① .75 PF							

SELECTION TABLE

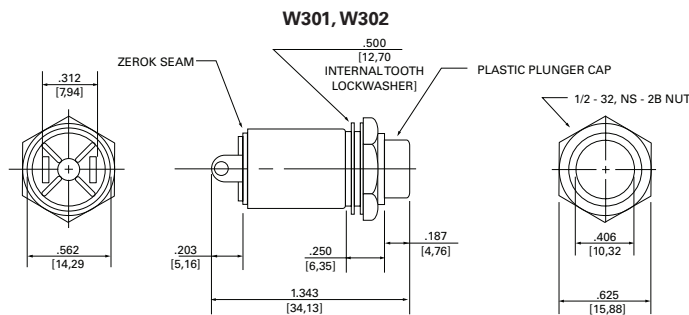
Series and Type	Operation	Circuit Catalog Schematic	Catalog Number
 W300	Momentary Snap Action	1 P.S.T.-NO 	W301
		1 P.S.T.-NC 	W302
		1 P-2 	W303

WHEN ORDERING SPECIFY...



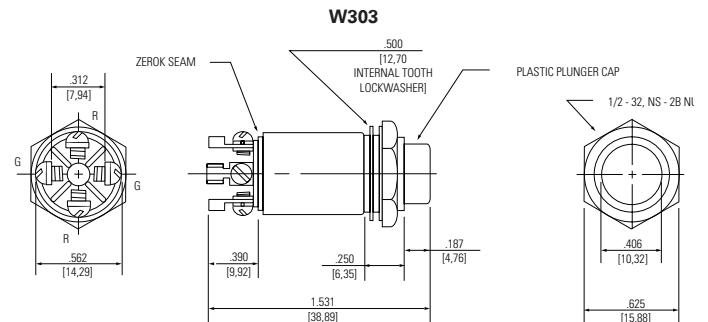
- Plunger Color:
- Gray: GY
- White: W
- Red: R
- Black: No Letter

APPROXIMATE DIMENSIONS - W300



SUPPLIED WITH TWO TERMINAL SCREWS, LOCK WASHERS AND LUGS.

W300 SERIES W/SOLDER TERMINALS



SUPPLIED WITH FOUR TERMINAL SCREWS, LOCK WASHERS AND LUGS.

W300 SERIES W/SOLDER LUG TERMINALS

STANDARD

0.00 = inches

[0,0] = mm

Dimensions for reference only.

Mounting and terminal hardware supplied unassembled.