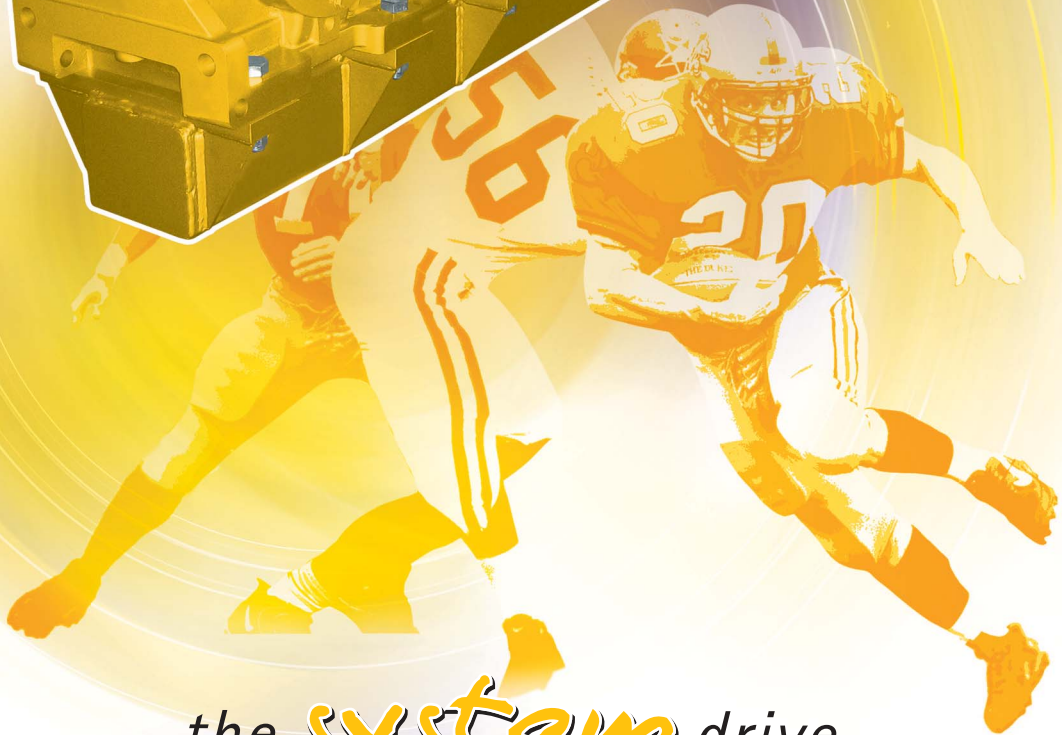
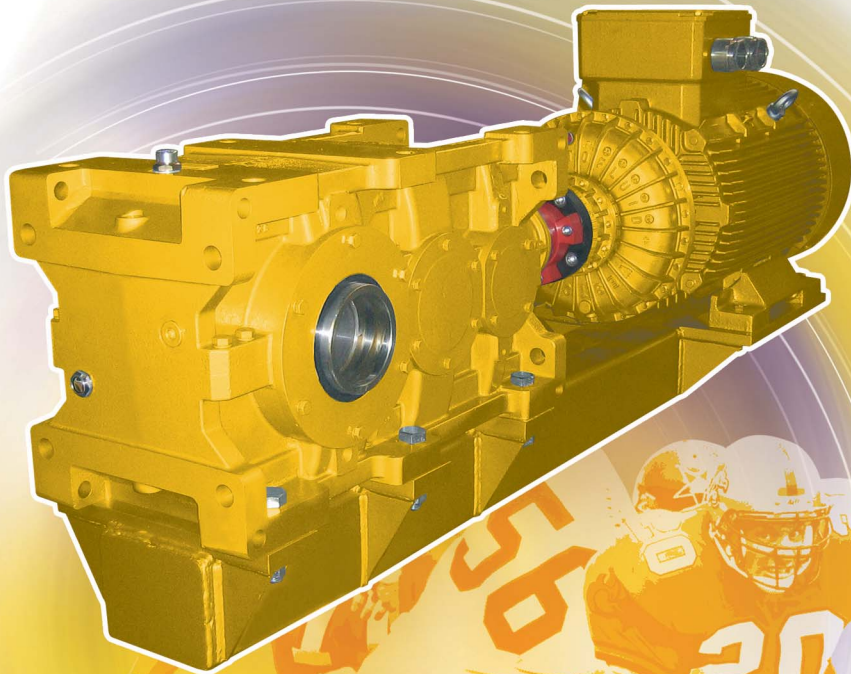


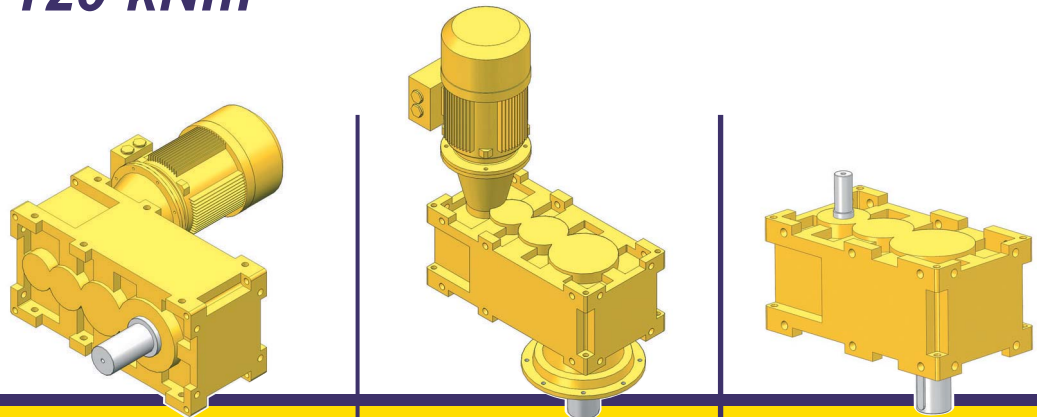
**watt
drive** 



the *system* drive.

the industrial giants.

: Innovative drive solutions up to 120 kNm



WATT Parallel shaft gear unit F.. RX 8..

Your project -
our challenge !

The F.. RX 8.. and K.. RX 8.. series are manufactured to the highest quality standards and available with torques up to 120 kNm.

Industrial gear units from Watt Drive can be used in virtually all the common sectors of mechanical engineering found today, such as plant or environmental.

WATT can quote for these power plants and quickly fit them in both standard products and custom drive solutions to meet market demand. Here WATT naturally select the optimum drive for the intended system together with the customer. An important part of our philosophy is identifying Watt partners' project goals and achieving them.

Parallel shaft gear unit/ geared motor

When mounting parallel shaft geared motors we use an IEC adapter with coupling. Based on the UNIBLOCK design principle, the gear housings are machined on all sides and can therefore be used in all installation positions. In standard the housings are made of cast iron EN-GJL-250. They can be fitted in the intended system both as shaft mounted models with hollow shafts and as parallel shaft models with output shafts. Precision manufactured gears with helical involute profile ensure high efficiency and low-noise running.

Agitator drives

Thermal power limit: 5.5 - 445 kW
Torque: 1.4 - 119 kNm
Ratio: 1.1 - 793

High overhung and/or thrust load capacities combined with maximum seal reliability and long bearing life time are the main features of this product range. Given the rugged design of the agitator bearing, a separate bearing for the agitator shaft is not required in most cases.

The high-torque drives are therefore suitable for such applications as surface aerators, agitators, mixers, etc.

Output/Input options

Output options:

All the shaft designs used in mechanical engineering applications are available. We can also produce output shafts in special dimensions to meet customer specifications.

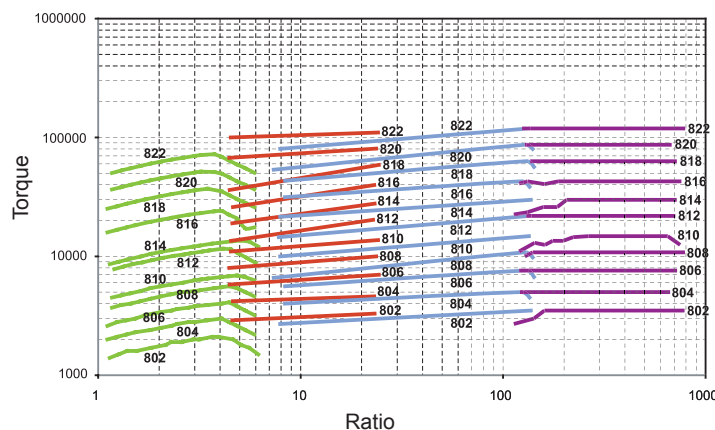
- Solid shaft
- Hollow shaft
- Shrink disc

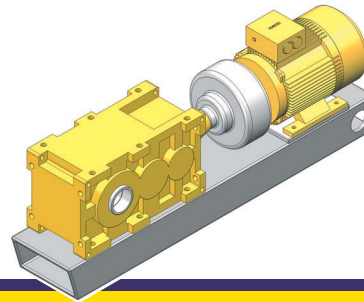
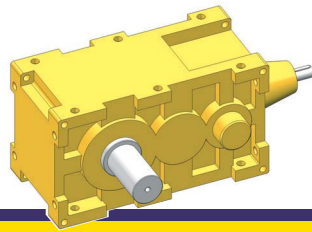
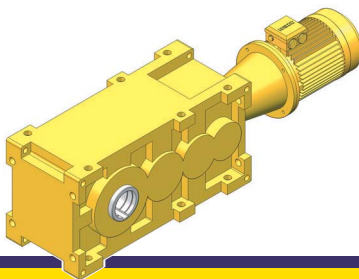
Input options:

When selecting the type of input required, there is the option of a free input shaft or an IEC adapter.

- Input shaft units
- IEC adapter

- Key:
- Single reduction
 - Double reduction
 - Fourstage reduction
 - Fivestage reduction





WATT Helical bevel gear unit K.. RX 8..

Helical bevel gear unit/
geared motor

Output/Input options

Options
for F.. RX 8.. and K.. RX 8..

Thermal power limit: 14 - 304 kW
Torque: 2.2 - 119 kNm
Ratio: 4.4 - 700

When mounting helical bevel geared motors we use an IEC adapter with coupling. The input stage of these drives is the bevel gear stage, which enables the input shaft to be turned. Other installation positions are therefore also possible, which is a great advantage when space is limited. In addition, the cases are machined on all sides like the parallel shaft gear unit and have in the same size the same connecting dimensions. This results in many different mounting options.

Output options:

All the shaft designs used in mechanical engineering applications are available. We can also produce output shafts in special dimensions to meet customer specifications.

- Solid shaft
- Hollow shaft
- Shrink disc

Input options:

When selecting the type of input required, there is the option of a free input shaft or an IEC adapter.

- Input shaft units
- IEC adapter

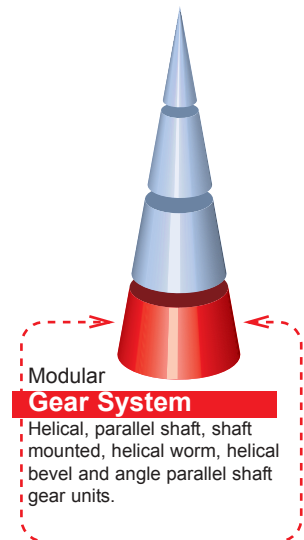
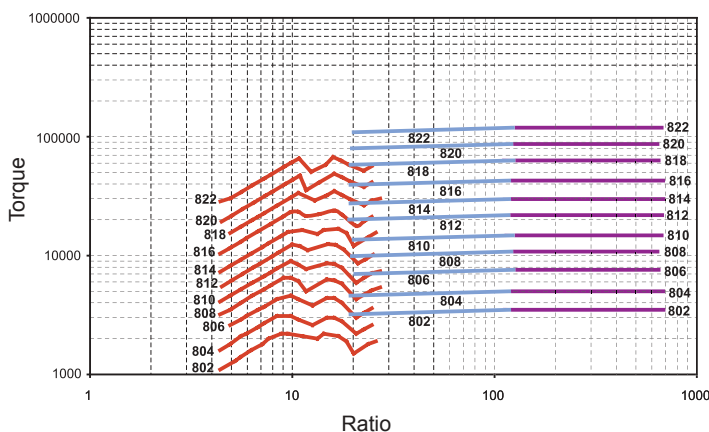
WATT customers can select from the various options available in the comprehensive gear range. The gear units can also be fitted with couplings (e.g. flexible claw coupling, fluid coupling) or swing bases if required.

Gear unit options and accessories:

- Back stop
- Double seal
- Viton seal
- Labyrinth seal
- Heavy duty bearing
- Output flange
- Gear unit cooling system
- Gear unit cooling system with fan
- Gear unit cooling system with air/oil
- cooling unit
- Fluid coupling
- Flexible coupling
- Swing base
- Ductile iron or steel housing
- Synchronised gear unit (only with helical bevel gear units)

Hydraulic accessories:

There is the option of fitting the drives with a wide range of hydraulic accessories, such as oil filters, oil gauges, oil level indicators, dust plugs, float level switches and much more.



Watt Drives the World.

WATT DRIVE ANTRIEBSTECHNIK GMBH

A-2753 Markt Piesting, Wöllersdorfer Straße 68, Austria
Tel.: +43 / 2633 / 404-0, Fax: +43 / 2633 / 404-220
Email: watt@wattdrive.com
Web: www.wattdrive.com

WATT DRIVE GMBH

D-59423 Unna, Heinrich-Hertz-Straße 14, Germany
Tel.: +49 / 2303 / 98 687-0, Fax: +49 / 2303 / 98 687-81
Email: info@wattdrive.de
Web: www.wattdrive.de

WATT EURO-DRIVE (Far East) Pte Ltd

SGP-629082 Singapore, 67B, Joo Koon Circle
Tel.: +65 / 6 862 2220, Fax: +65 / 6 862 3330
Email: watteuro@pacific.net.sg
Web: www.wattdrive.com

WATT EURO-DRIVE (Malaysia) Sdn Bhd

MY-40150 Shah Alam, Malaysia
No. 17 Jalan Bulan U5/8, Bandar Pinggiran Subang 2
Tel.: +603 / 785 91626, +603 / 785 91613
Fax: +603 / 785 91623
Email: info@wattdrive.com.my
Web: www.wattdrive.com

