



# ZET-Horn 131/141 AC

## General Features

The ZÖLLNER ZET-Horn was the first piston type whistle on the world market driven by an AC 3phase motor. An essential component is the piston inside the cylinder driven by an AC 3phase motor via connecting rod, crankshaft and gearwheels. The piston oscillates at a certain frequency which makes the air inside the sound projector vibrate in resonance to produce a clean sound audible over a wide range.

## Essentials

- » full compliance with the Colregs 1972, Annex III
- » type approved by all wellknown international authorities and classification societies
- » application:
  - » vessels of class II, 75 m but less than 200 m in length
  - » special design for arctic class available
  - » special military design available
  - » land alarm, i.e. bunker stations, oil refineries, airports, power plants, factories
- » system voltage: AC 3phase/control box AC 1phase
- » entirely made of best non-corrosion, seawater resistant materials: gearwheels made of wear-resistant upgraded steel

## Advantages

- » decades of experience
- » best material and workmanship - made in Germany
- » simple but matured design: easy exchange of all parts with onboard tools, steady lubrication with standard grease (no oil!)
- » cylinder suspended vertically to allow optimum discharge of spray, flood, condensation water or melted snow
- » motor heating to avoid condensed water included as a standard - no additional cable required!
- » easy installation:
  - » only one three-core cable required for connection to board mains!
  - » relatively low weight
- » not affected by voltage and frequency fluctuations of board mains

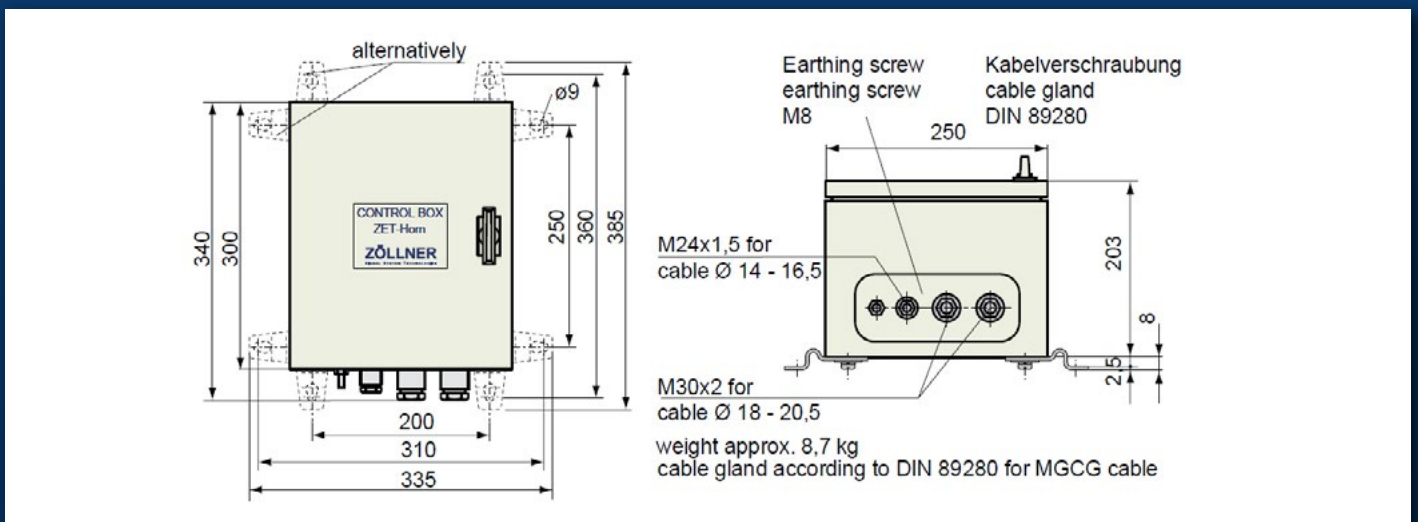
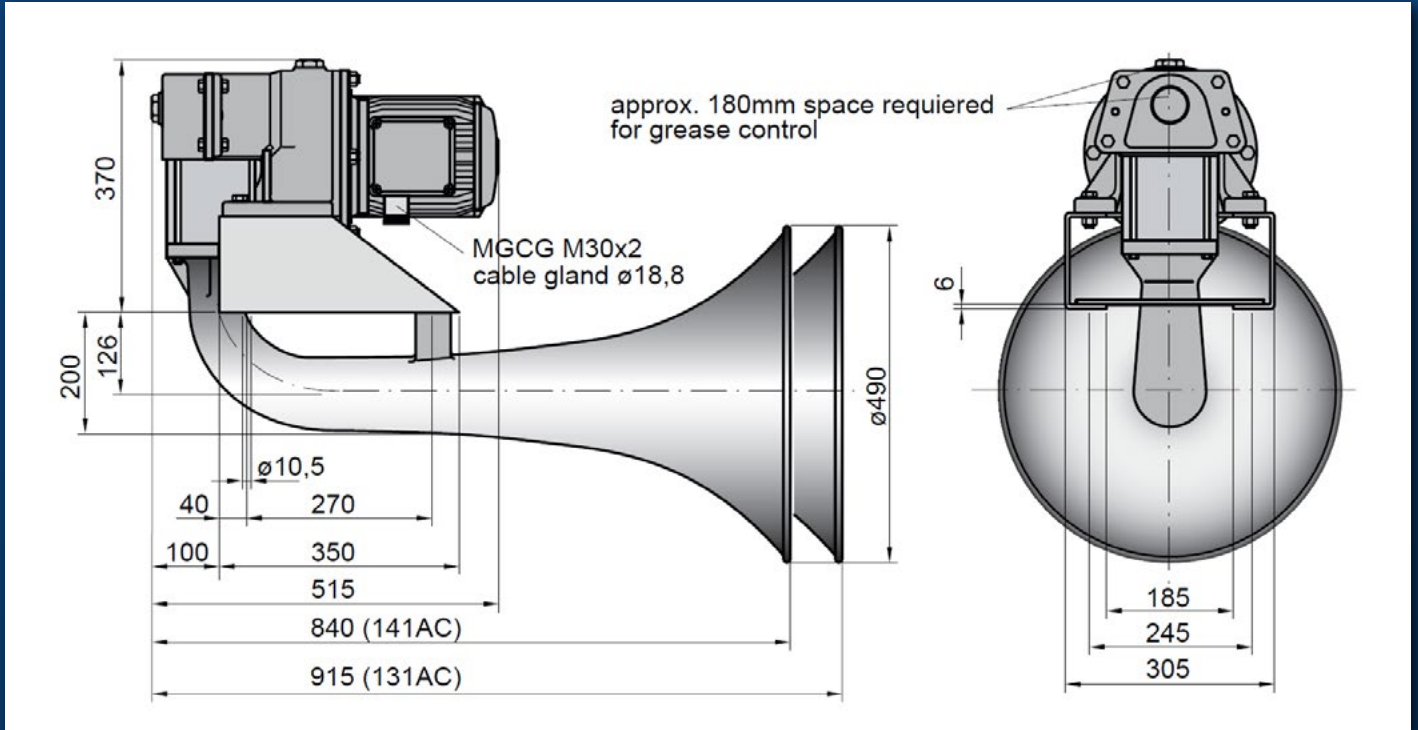
## Sound Characteristics

- » broad frequency spectrum with many higher harmonics
- » signals with strong overtones for best penetration of background noise level: Even when a background noise covers the actual basic frequency the residual tone forms a parent frequency in the human hearing. Two or three harmonics are sufficient for the hearing to perceive the basic frequency.
- » sound frequency of 130 Hz / 140 Hz very advantageously ranks in the lower admissible range (130-350 Hz)
- » sound pressure level 138 dB in 1/3rd octave band at 1 m distance



## Positioning and installation

Positioning as high as practicable on the vessel to reduce interception of the emitted sound by obstructions and to avoid hearing damage risk to the personnel. The sound pressure level of a vessel's own signal at listening posts must not exceed 110 dB(A).



Standard control box (supply voltage 380 / 440 V - control voltage 115 / 220 V) - other voltages on request

type	ship length [m]	cable gland [mm] max.	fundamental frequency [Hz]	sound intensity in 1/3rd-octave band level at 1 m distance		motor output [kW]	motor heating up to [W]	type approval BSH no.	protection type	weight [kg]
				dB(A)	min. IMO 1/3rd oct					
141AC	75- <200	$\varnothing 15/$	140	143	138 dB	5,5	250	4615/6021097/09	IP 56	62
131AC	75- <200	$\varnothing 18,8$	130	144	138 dB	5,5	250	4615/6021096/09	IP 56	62