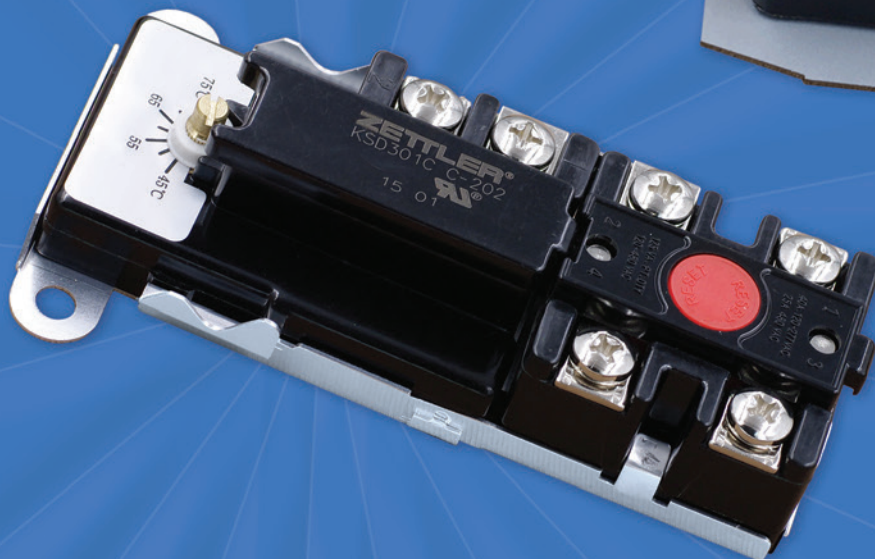
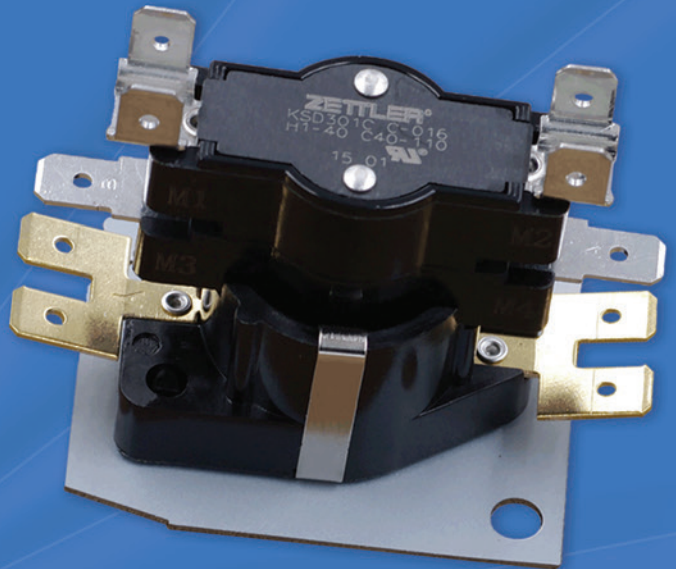
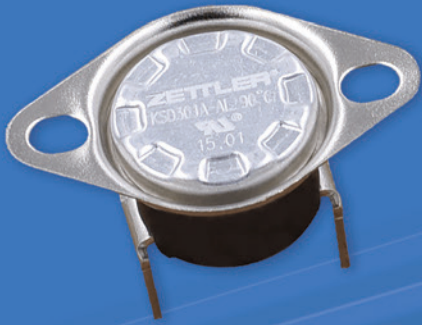


THERMOSTATS and TEMPERATURE CONTROLS



ZETTLER CONTROLS, INC

COMPANY INTRODUCTION

Through traditional craftsmanship and engineering excellence, the Zettler name has symbolized quality and reliability in relays for over 100 years in demanding applications such as telecommunication systems, computer peripherals, office automation equipment, home appliances, security systems, test and measurement devices and industrial controls.

Zettler Controls, Inc brings that same commitment to the HVAC/R market with an offering of relays, transformers, fan center controls, heat sequencers, thermistors, and bi-metal thermostats. This group of products is used by the HVAC/R industry in both residential and commercial applications.

We welcome application challenges, stock over one million units, deliver quick turnaround and understand demanding service requirements. Our unique combination of 100% quality testing, first-class sales and technical support, cost-effective product design and outstanding product availability offer a highly dependable and responsive resource for fulfilling all your HVAC/R needs.



ZETTLER Controls, Inc.

www.zettlercontrols.com

75 Columbia • Aliso Viejo, CA 92656 • Phone: (949) 360-5840 • Fax:(949) 360-5839 • E-Mail: sales@zettlercontrols.com

ZETTLER

CONTENT



KSD301A 1/2" (12.7mm) Series Snap-Action Temperature Controls _____ P3



KSD301B Series Temperature Controls _____ P12



KSD301C 3/4" (19mm) Series Temperature Controls _____ P17



KSD301C Heat Sequencers - Time Delay _____ P23



KSD301C Series Temperature Sensing Controls _____ P26

Catalog Revision A

This catalog features our most popular thermostats and temperature controls. This is a small sampling of the many configurations and variations that we offer. We welcome the opportunity to discuss any requirements that you may have. **Please send your inquires to: sales@zettlercontrols.com**



KSD301A 1/2" (12.7mm) Series Snap-Action Temperature Controls

Similar to TOD Series 36T


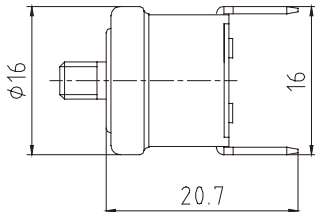
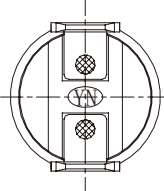
Specifications


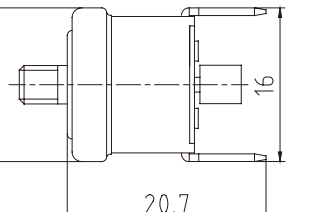
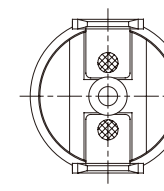
1. Electrical Ratings: AC120V 5A, 10A, 16A, AC250V 10A, 16A, 20A
2. OFF Temperature Range
 - a. Ceramic: -0°C ~ 250°C (-32F~ 482°F)
 - b. Bakelite: -30°C ~ 150°C (-22F~ 287°F)
3. Tolerance: Min ± 2°C Standard ± 5°C
4. A variety of terminal, switch case and mounting configurations are available for maximum design flexibility
5. NOTE: Please contact us to discuss specific custom requirements

Applications:


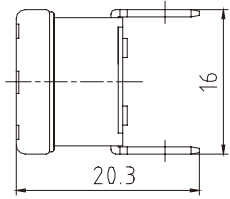
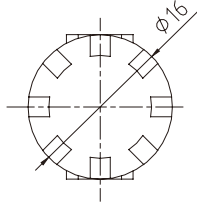

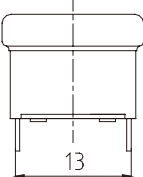
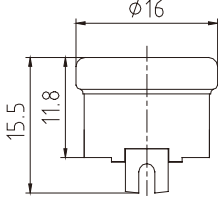

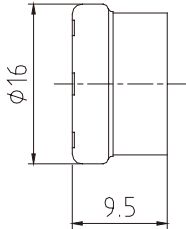
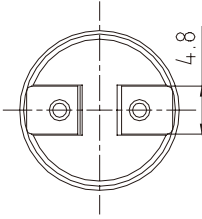

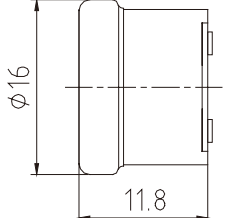
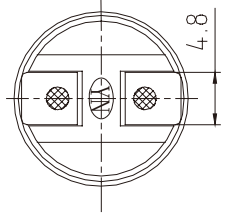

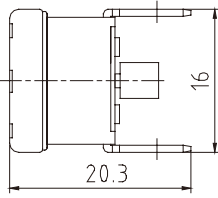
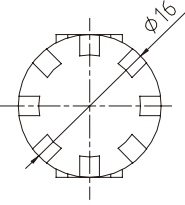
Boiler, Water Heater, Vacuum Cleaner, Copier, Electric Stove, Oven, Dryer, Refrigerator, Dish Washer, Air-Conditioning etc.


Approvals: UL CQC TUV VDE CUL CE

 <p style="text-align: right;">A013</p>		 <p>Material: Bakelite Ceramic PPS</p>
---	--	--

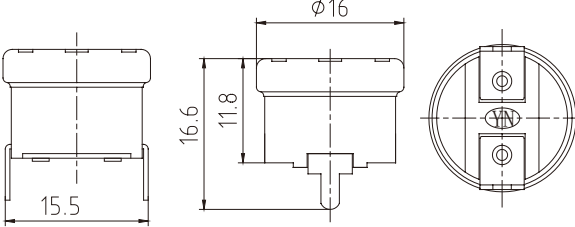
 <p style="text-align: right;">A013R</p>		 <p>Material: Bakelite Ceramic</p>
--	--	--




 <p>A113</p>		 <p>Material: Bakelite Ceramic PPS</p>
 <p>A113B</p>		 <p>Material: Bakelite Ceramic PPS</p>
 <p>A113E</p>		 <p>Material: Bakelite</p>
 <p>A113F</p>		 <p>Material: Bakelite Ceramic PPS</p>
 <p>A113R</p>		 <p>Material: Bakelite Ceramic</p>



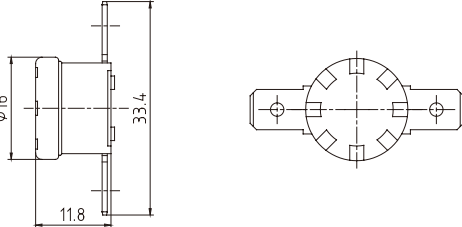
A113T




Material:
Bakelite
Ceramic
PPS



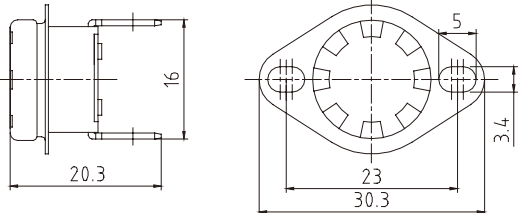
A114




Material:
Bakelite
Ceramic
PPS



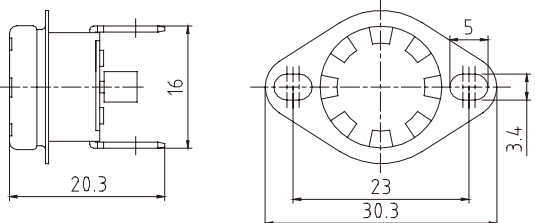
A313




Material:
Bakelite
Ceramic
PPS



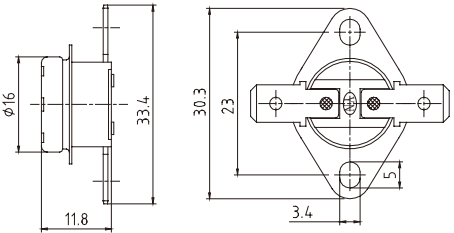
A313R



Material:
Bakelite
Ceramic




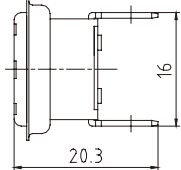
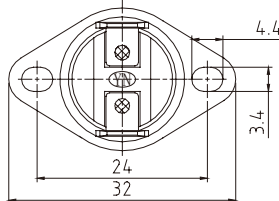
A314



Material:
Bakelite
Ceramic
PPS




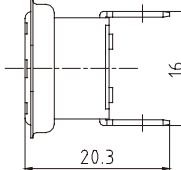
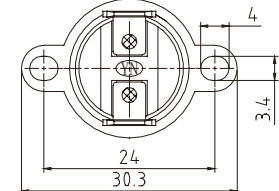


Material:
Bakelite
Ceramic
PPS


A323

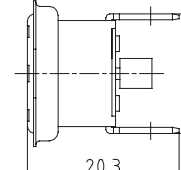
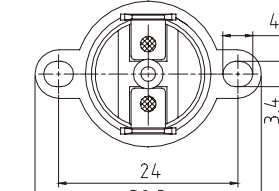


Material:
Bakelite
Ceramic
PPS


A333

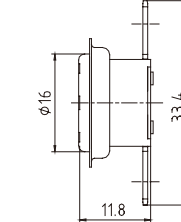
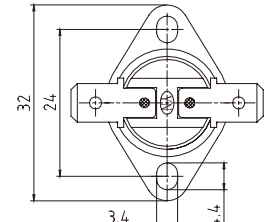


Material:
Bakelite
Ceramic


A333R

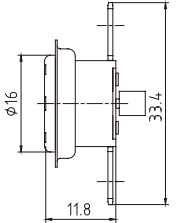
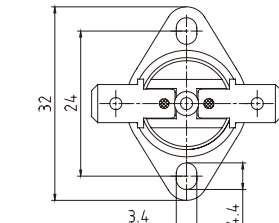


Material:
Bakelite
Ceramic
PPS


A324



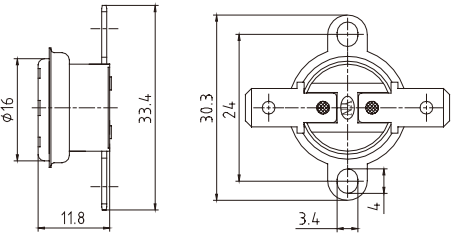



Material:
Bakelite
Ceramic


A324R



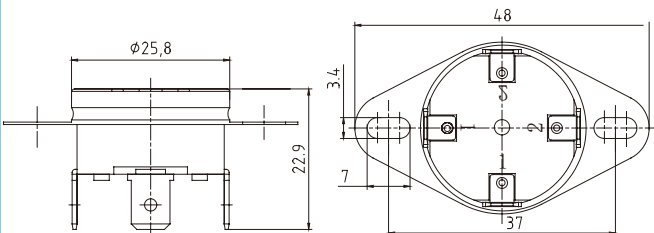
A334




Material:
Bakelite
Ceramic
PPS



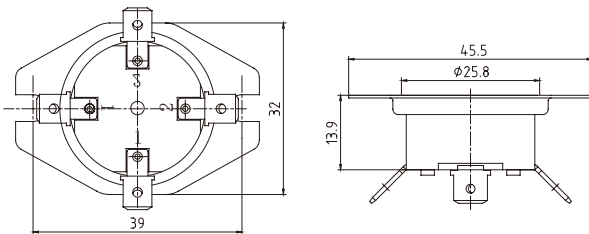
A443




Material:
Bakelite



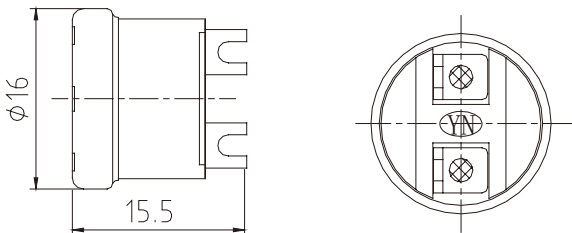
A443R




Material:
Bakelite



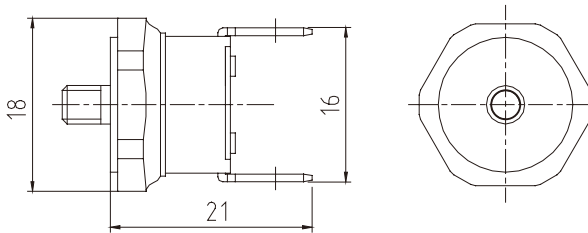
A617



Material:
Bakelite
Ceramic
PPS




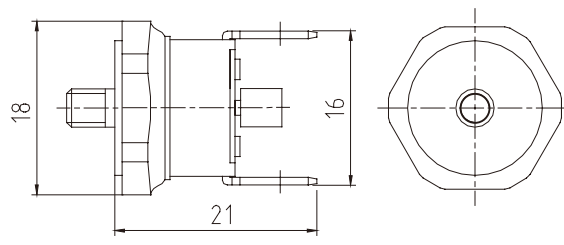
A813



Material:
Bakelite
Ceramic
PPS




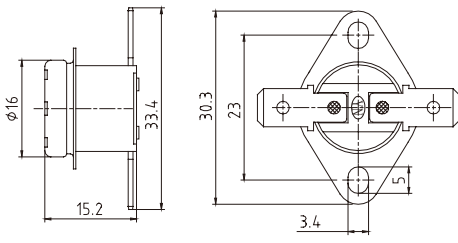




Material:
Bakelite
Ceramic
PPS


A813R

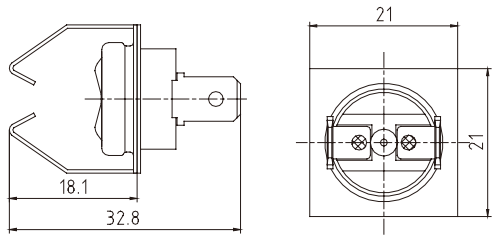




Material:
Bakelite


PTC

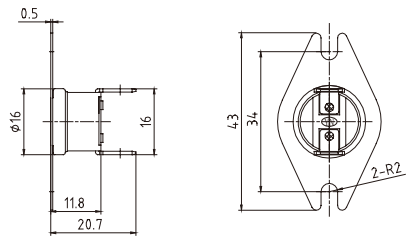




Material:
Bakelite
Ceramic


A2-002R

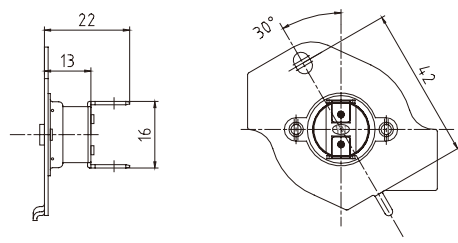




Material:
Bakelite
Ceramic
PPS

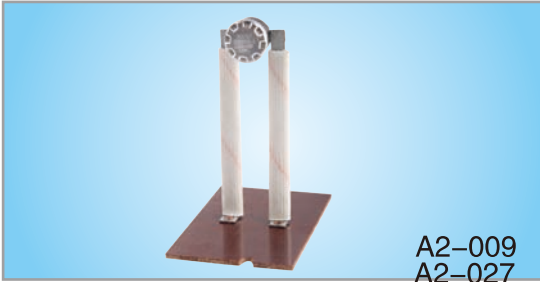
A2-003



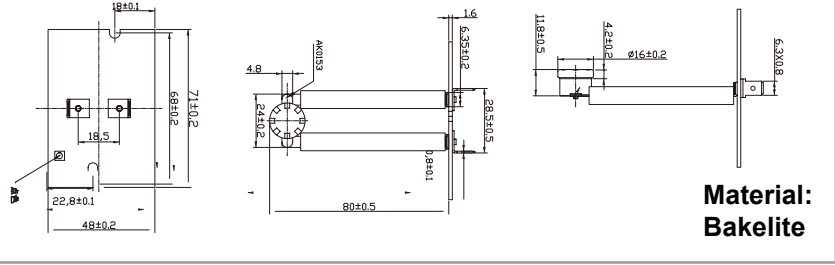


Material:
Bakelite
Ceramic

A2-007C



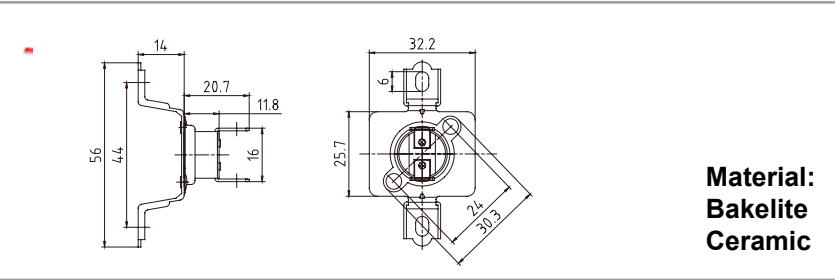
A2-009
A2-027



Material:
Bakelite



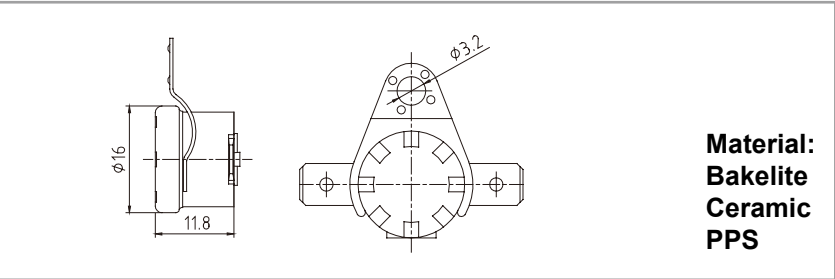
A2-010



Material:
Bakelite
Ceramic



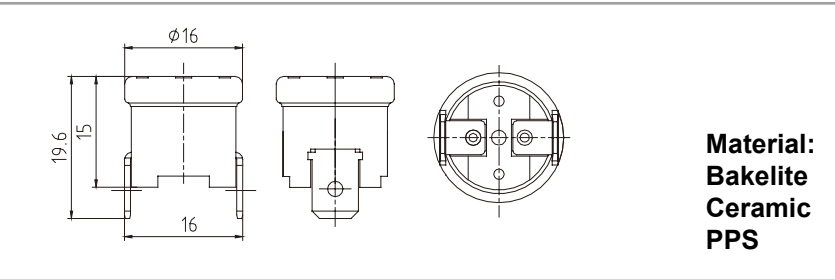
A2-018



Material:
Bakelite
Ceramic
PPS



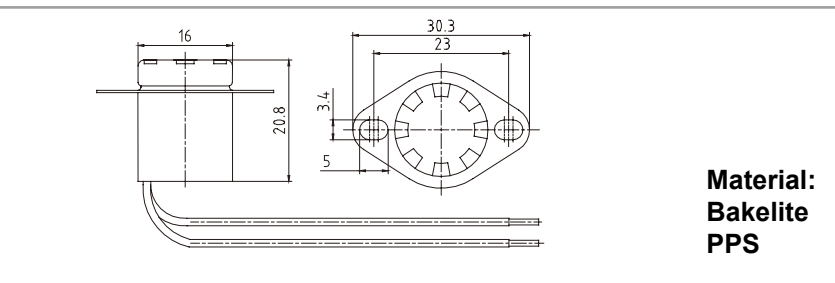
A2-022B



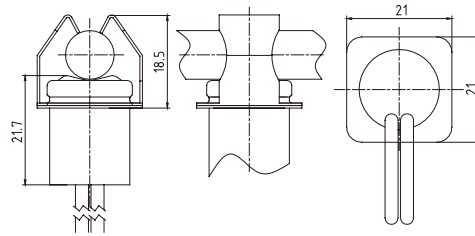
Material:
Bakelite
Ceramic
PPS



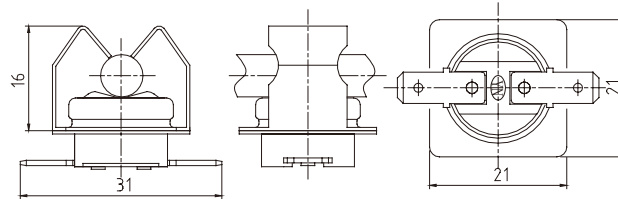
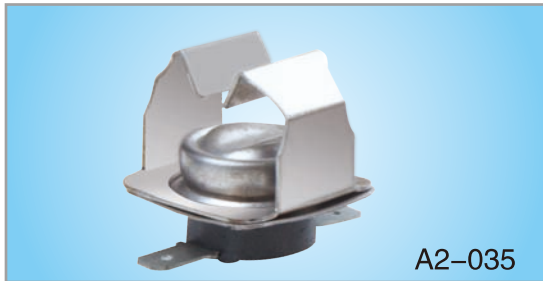
A2-029



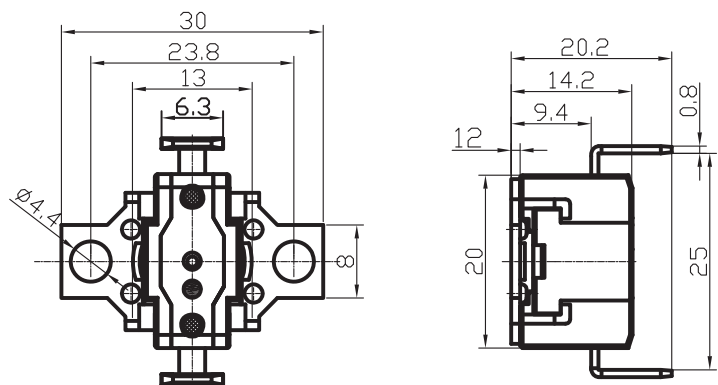
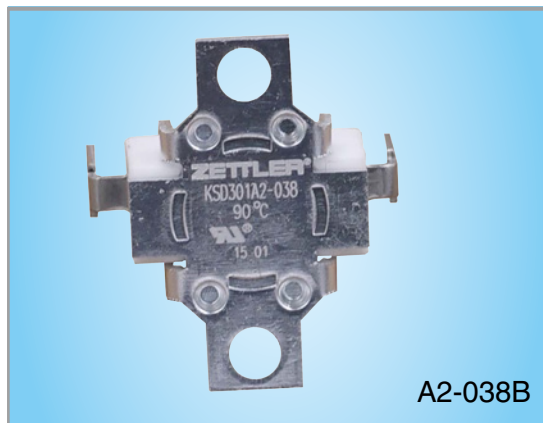
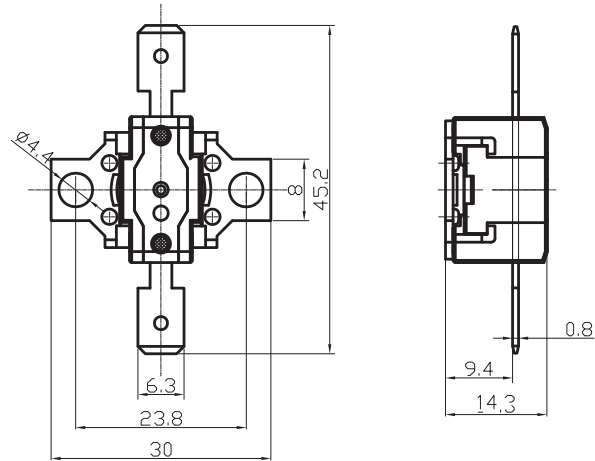
Material:
Bakelite
PPS



Material:
Bakelite
PPS

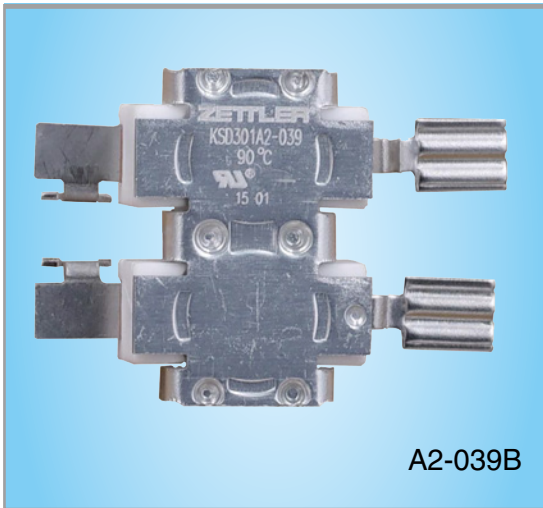
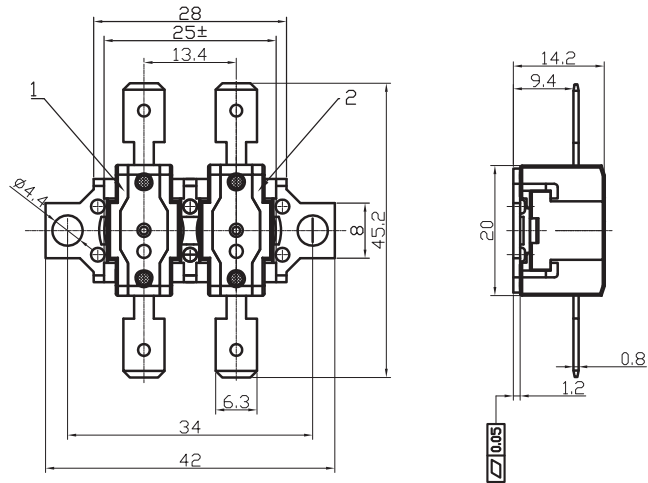


Material:
Bakelite
Ceramic
PPS

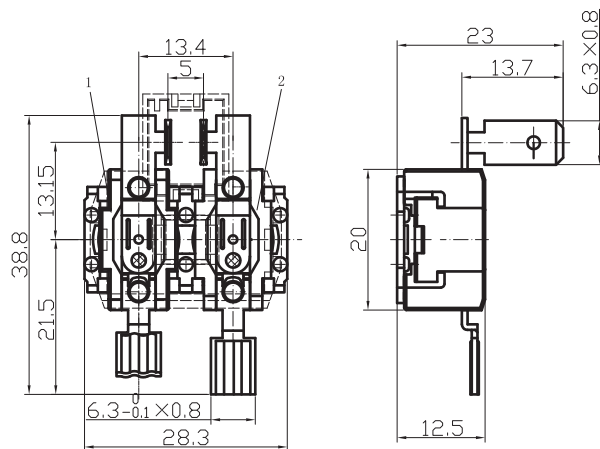




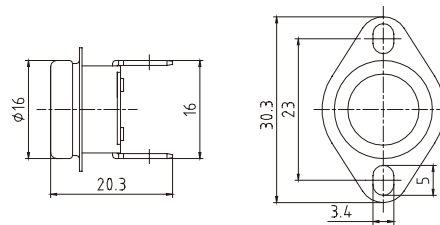
A2-039A



A2-039B



A2-613



Material:
Bakelite
Ceramic
PPS

KSD301B Series Temperature Controls

Specifications

1. Electrical Ratings: AC120V/240V/277V 5A 15A, AC250V 10A 16A 25A
2. OFF Temperature Range -30°C ~ 105°C (-22°F~ 221°F)
3. Diff Temp: Min 5°C ; Standard 15~25°C
4. Tolerance: Min ± 3°C Standard ± 5°C
5. A variety of terminal, switch case and mounting configurations are available for maximum design flexibility
6. NOTE: Please contact us to discuss specific custom requirements

Applications:


Refrigerator, Air-Conditioning, Ice maker, Freezer, etc.

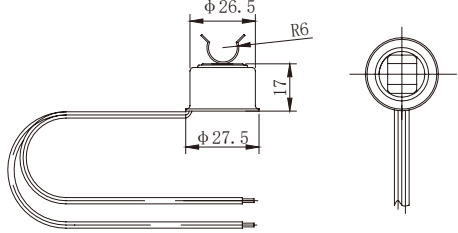
Approvals: UL CQC TUV VDE CUL CE






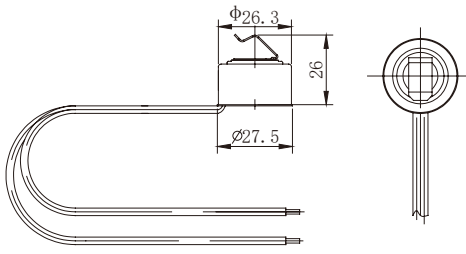
B-001




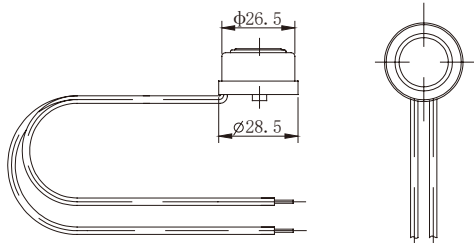

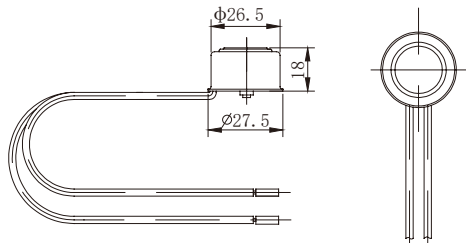

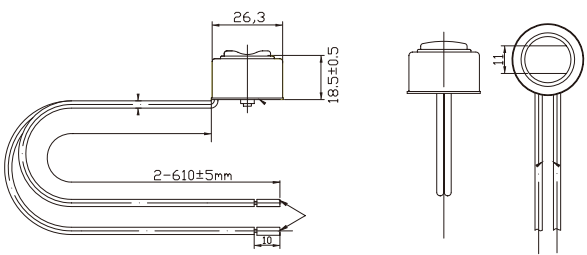

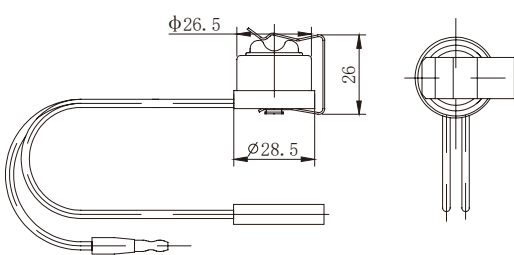

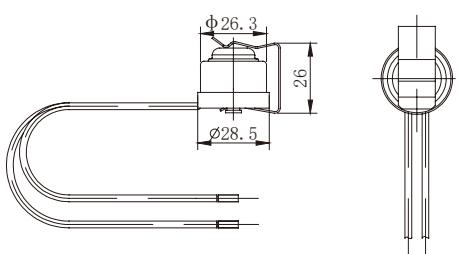


B-002






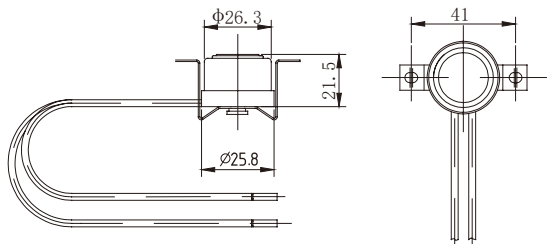
B-003A


 <p>B-004</p>	
 <p>B-006</p>	
 <p>B-006B (φ 16)</p>	
 <p>B-007</p>	
 <p>B-008</p>	



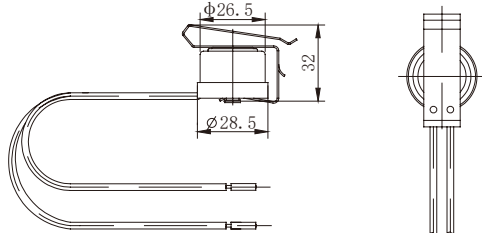



B-010



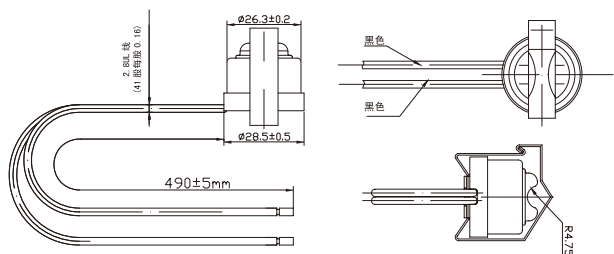



B-012



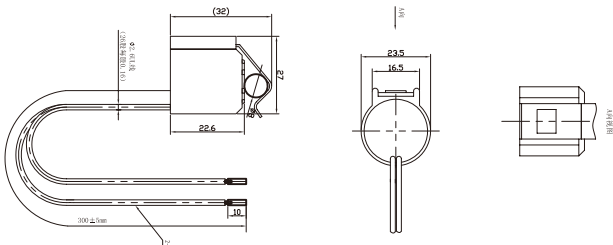



B-017



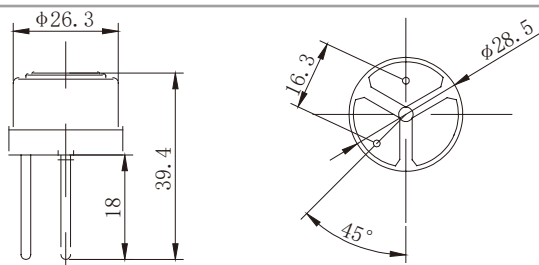


B-018



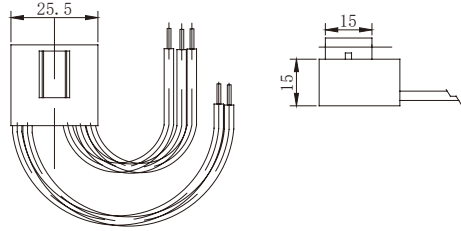


B-019

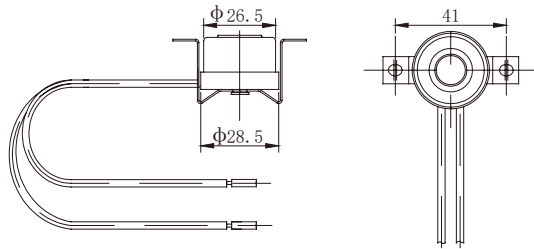




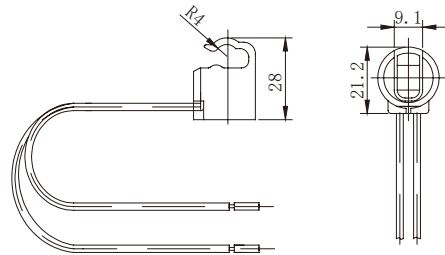
B-022



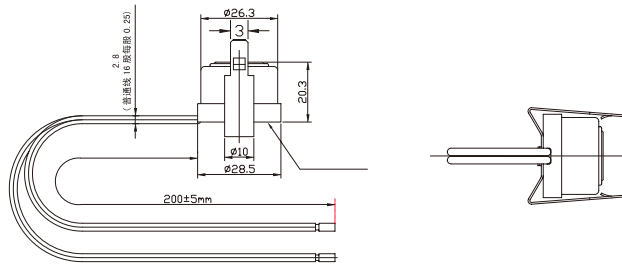
B-023



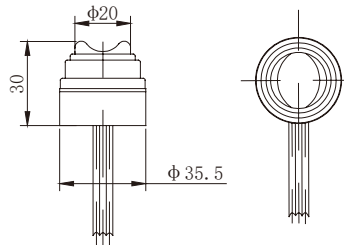
B-024

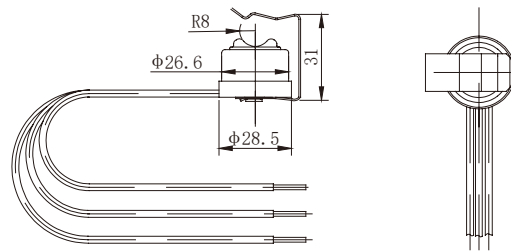
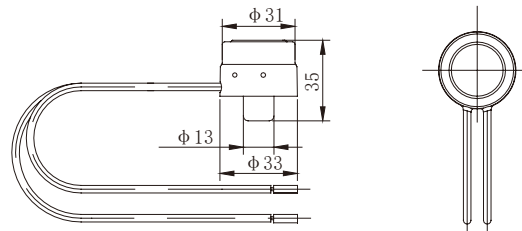
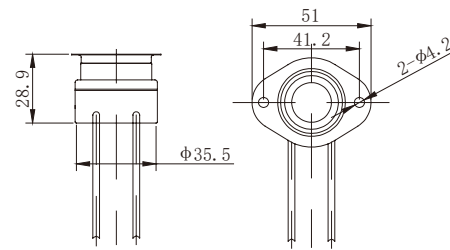
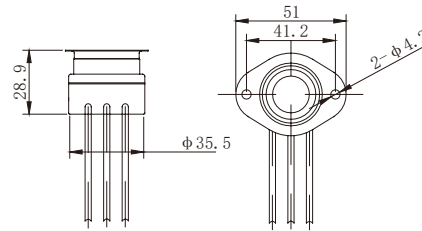
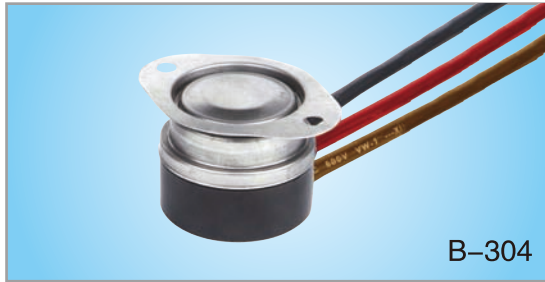


B-025



B-301





KSD301C 3/4" (19mm) Series Temperature Controls

Specifications

1. Electrical Ratings: AC125V 5A 15A, AC250V 5A 10A 16A
2. OFF Temperature Range:
3. Bakelite: Automatic -30°C ~ 150°C; 30°C ~ 150°C
4. Tolerance: Automatic: Min ± 3°C Standard ± 5°C, Manual: Min ± 4°C Standard ± 5°C
5. A variety of mounting flanges are available to meet the insulation requirements.

Similar to TOD Series 60T

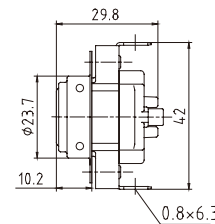
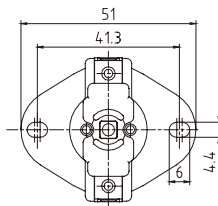
Applications:

Air Conditioners, heating and ventilating equipment, vending machines, dryers, unit heaters, tabletop appliances, etc.

Approvals: UL CQC TUV VDE CUL



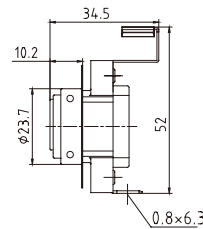
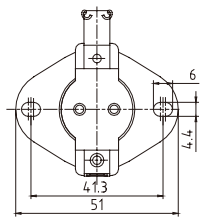
C-001R



Material:
a. Bakelite
Load:
250V / 25A
Switch Action:
SPST



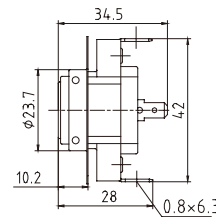
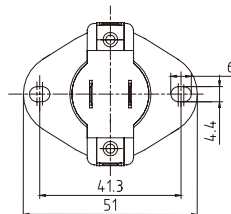
C-002



Material:
a. Bakelite
Load:
250V / 25A 600V / 15A
Switch Action:
SPST




C-003

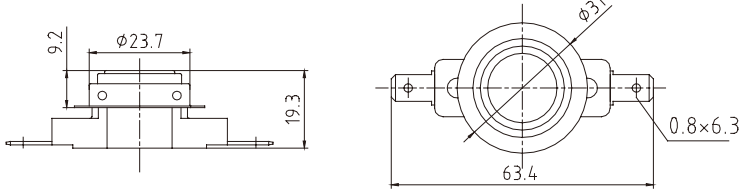


Material:
a. Bakelite
Load:
250V / 25A 600V / 15A
Switch Action:
SPST






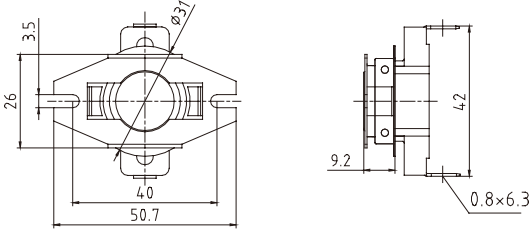
C-004




Material: a. Bakelite **Load:** 250V / 25A 600V / 15A **Switch Action:** SPST



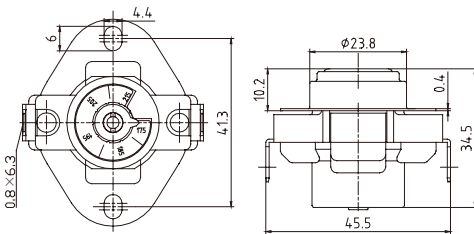
C-004A




Material: a. Bakelite
Load: 250V / 25A
Switch Action: SPST



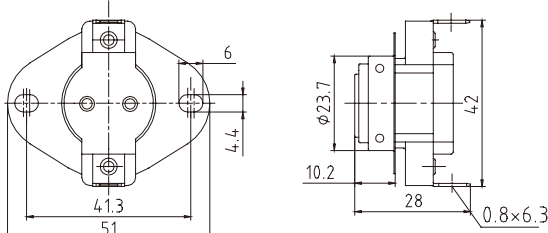
C-005



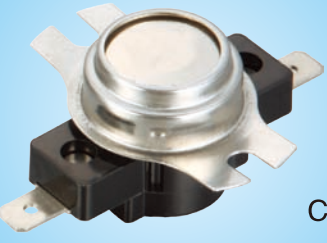
Material: a. Bakelite
Load: 250V / 25A
Switch Action: SPST



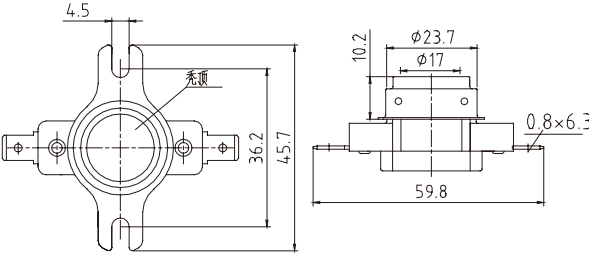
C-007



Material: a. Bakelite
Load: 250V / 25A 600V / 15A
Switch Action: SPST

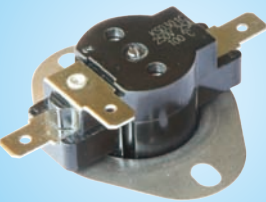


C-007S

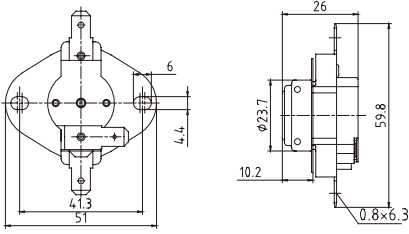


Material: a. Bakelite
Load: 250V / 25A 600V / 15A
Switch Action: SPST






C-008



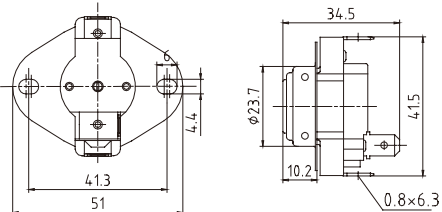
Material:
a. Bakelite

Load:
250V / 25A 600V / 15A

Switch Action:
SPDT




C-008B **C-008C**



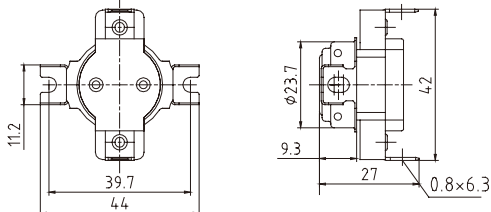
Material:
a. Bakelite

Load:
250V / 25A 600V / 15A

Switch Action:
SPDT




C-009 **C-009B**



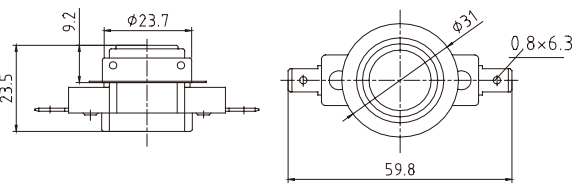
Material:
a. Bakelite

Load:
250V / 25A 600V / 15A

Switch Action:
SPST




C-011



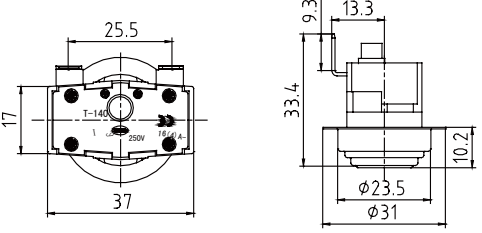
Material:
a. Bakelite, b. Ceramic

Load:
250V / 25A 600V / 15A

Switch Action:
SPST



C-013R **C-013**




Material:
a. Bakelite

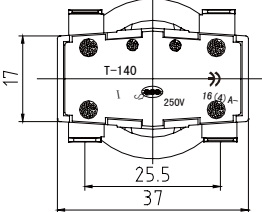
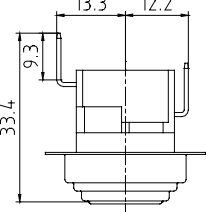
Load:
250V / 25A

Switch Action:
SPST






C-014(4Pin)

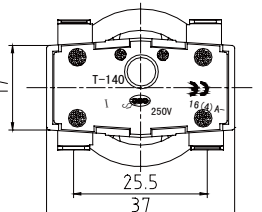
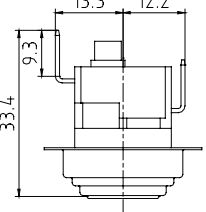
Material:
a. Bakelite

Load:
250V / 16A

Switch Action:
SPST DPST




C-014R(4Pin)

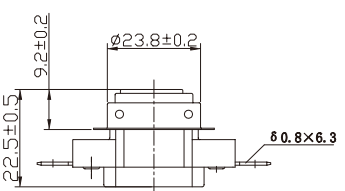
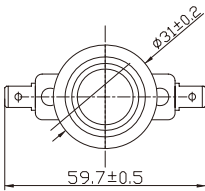
Material:
a. Bakelite

Load:
250V / 16A

Switch Action:
SPST DPST




C-017

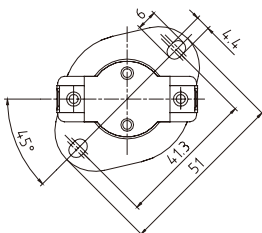
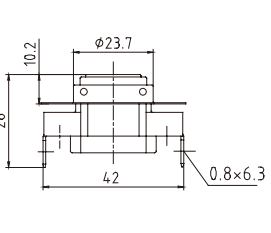
Material:
a. Bakelite b. Ceramic

Load:
250V / 25A 600V / 15A

Switch Action:
SPST




C-018

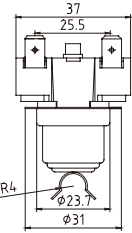
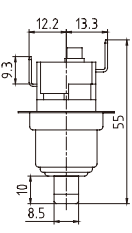
Material:
a. Bakelite b. Ceramic

Load:
250V / 25A 600V / 15A

Switch Action:
SPST



C-021R





Material:
a. Bakelite

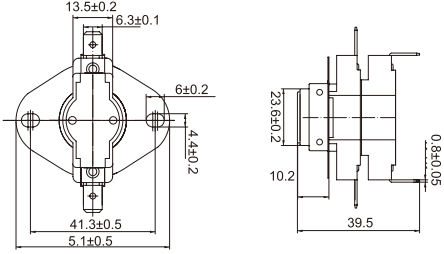
Load:
250V / 16A

Switch Action:
SPST DPST






C-022



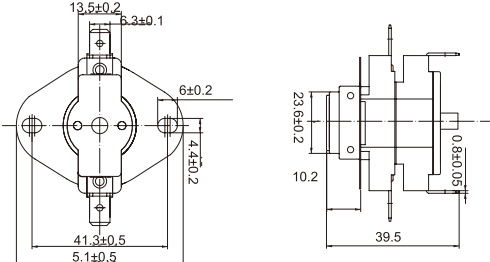
Material:
a. Bakelite

Load:
250V / 25A

Switch Action:
DPST 2SPST




C-022R



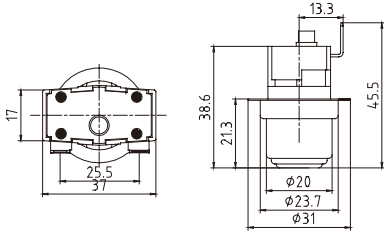
Material:
a. Bakelite

Load:
250V / 25A

Switch Action:
DPST 2SPST




C-023R



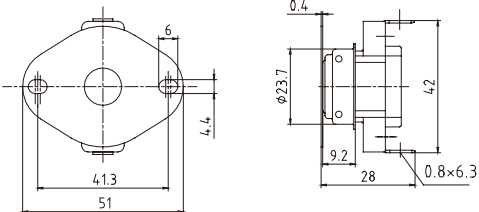
Material:
a. Bakelite

Load:
250V / 16A

Switch Action:
SPST




C-025



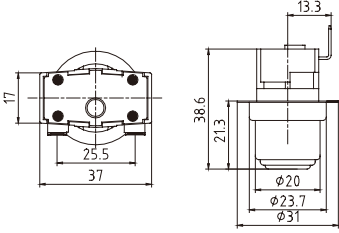
Material:
a. Bakelite b. Ceramic

Load:
250V / 25A 600V / 15A

Switch Action:
SPST



C-027




Material:
a. Bakelite

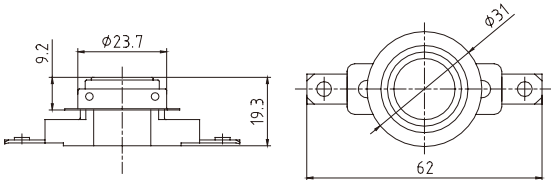
Load:
250V / 16A

Switch Action:
SPST

Terminal:
Nickell plated Brass








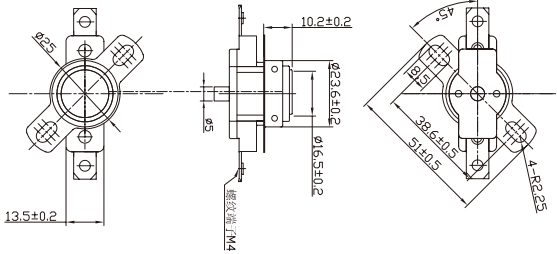
Material:
a. Bakelite

Load:
250V / 45A

Switch Action:
SPST

C-301






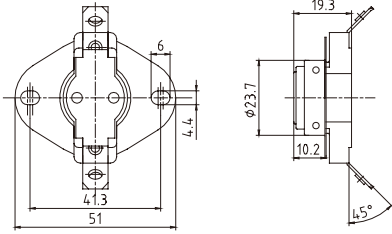
Material:
a. Bakelite

Load:
250V / 45A

Switch Action:
SPST

C-301R






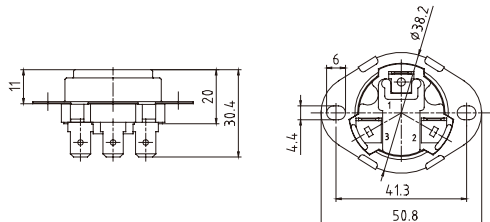
Material:
a. Bakelite

Load:
250V / 45A

Switch Action:
SPST

C-302





Material:
a. Bakelite

Load:
250V / 25A

Switch Action:
SPST

C-305

KSD301C Heat Sequencers - Time Delays

Features

Controls the delayed operation of heating elements or fans in electric furnaces and heat pumps

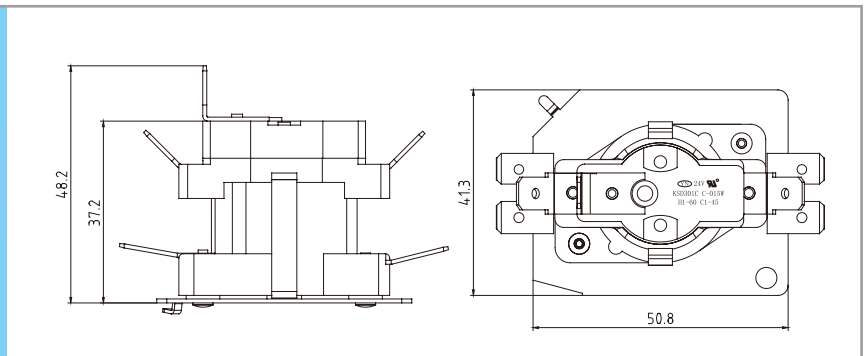
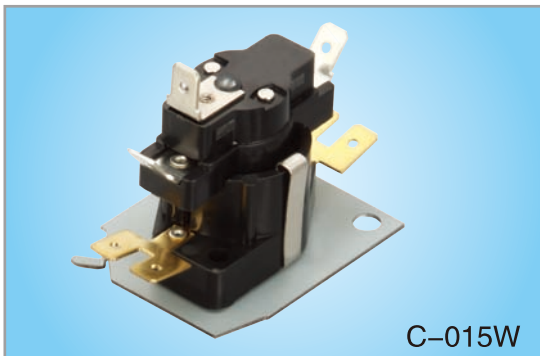
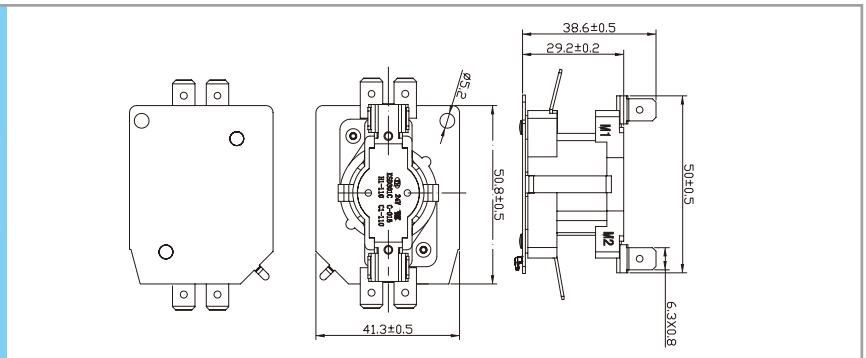
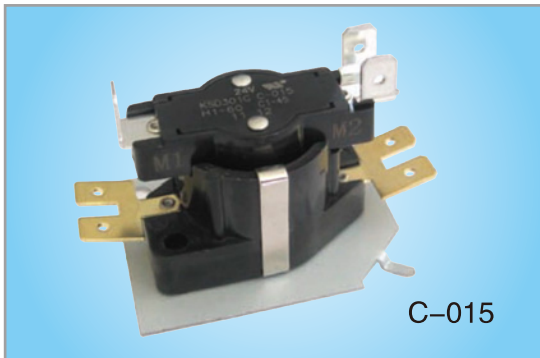
Combines a solid-state positive temperature coefficient (PTC) heater, Option of single, double, or three independent timing contacts.

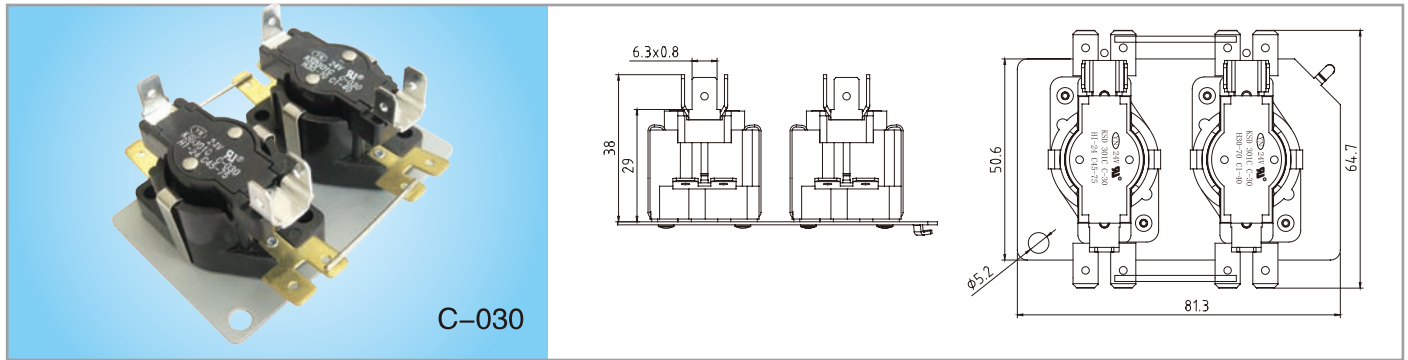
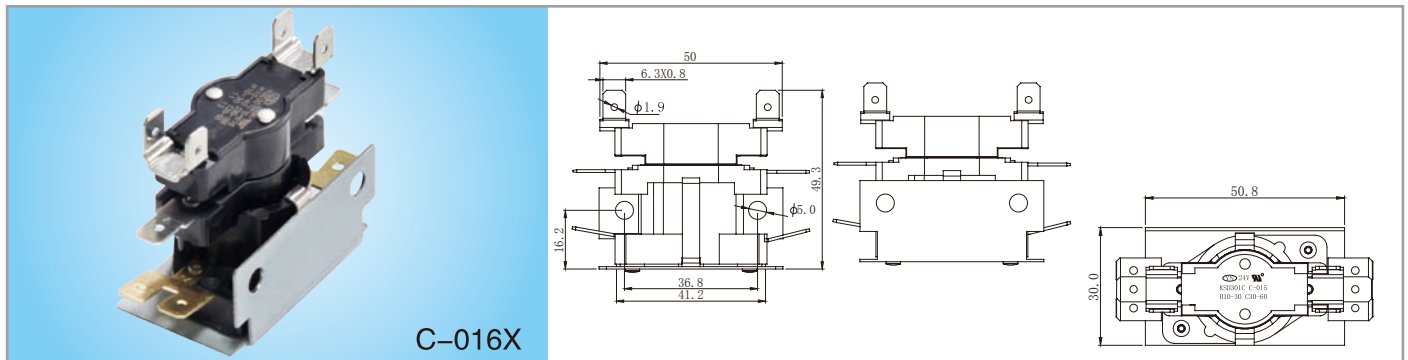
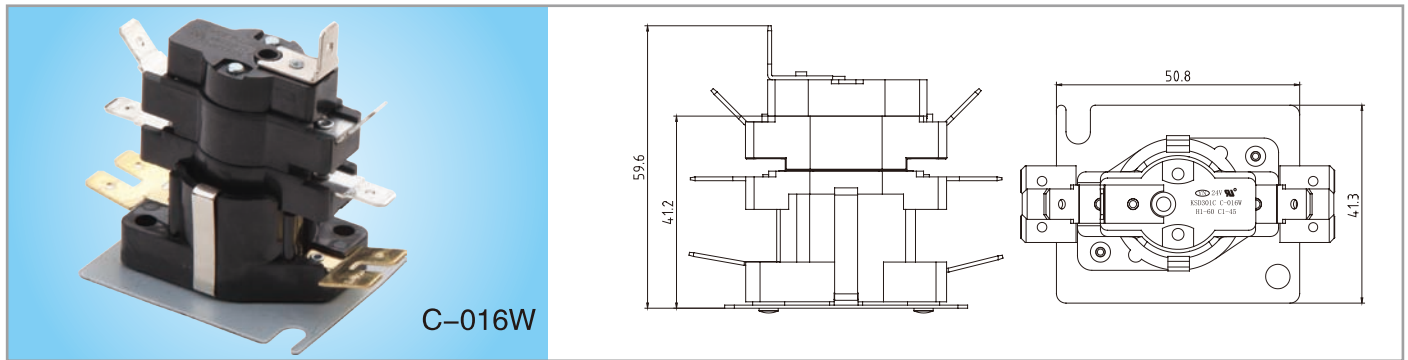
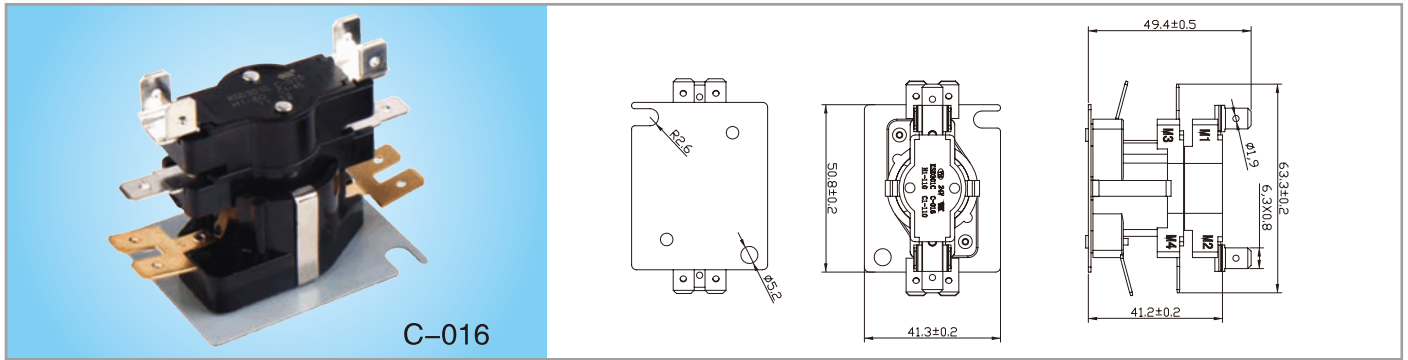
UL and CUL approval

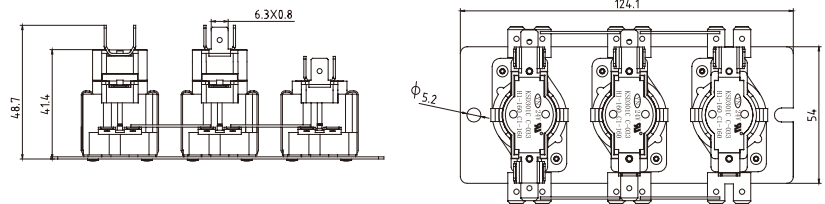
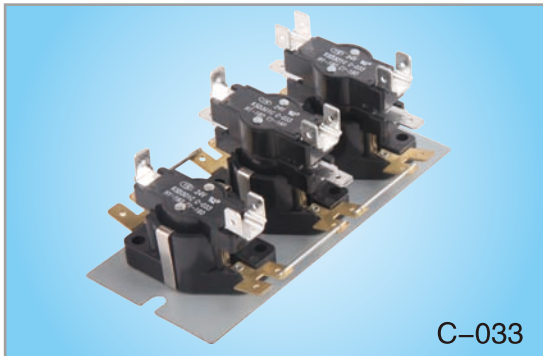
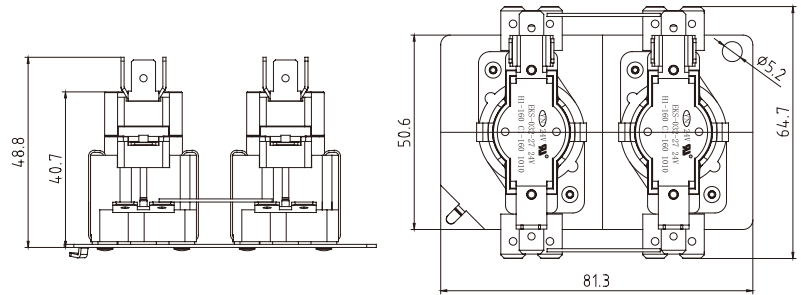
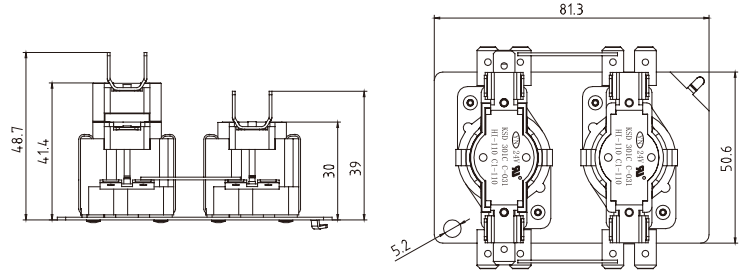
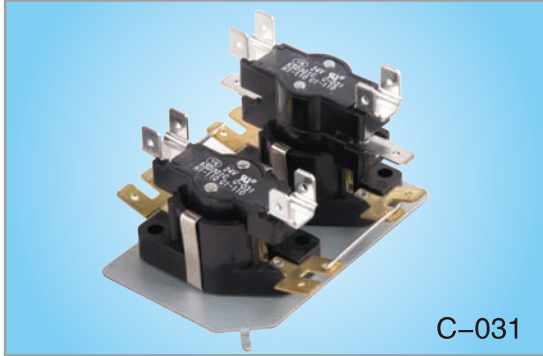
Applications

Electric Furnaces, Heat Pumps, Gas Furnaces, etc.

Approvals: UL CUL







KSD301C Series Temperature Sensing Controls

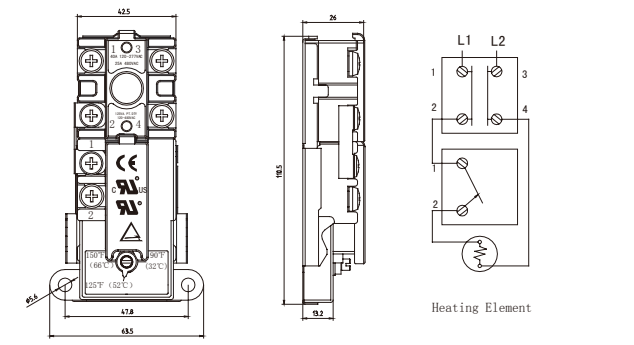
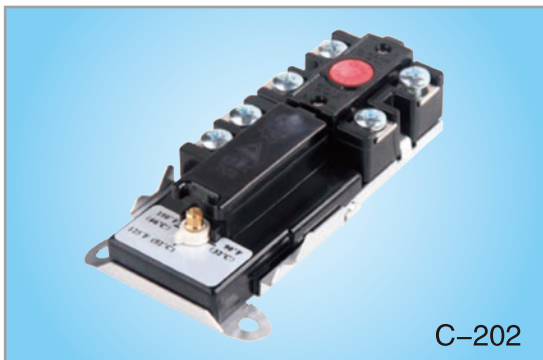
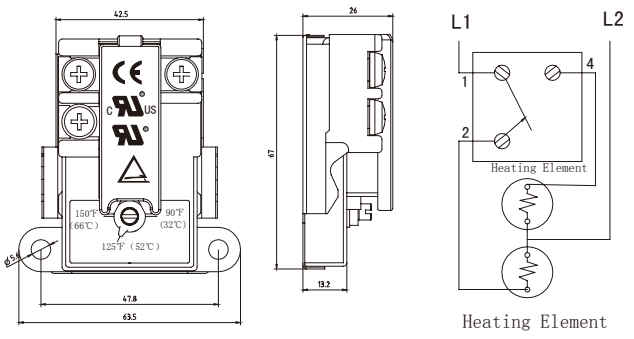
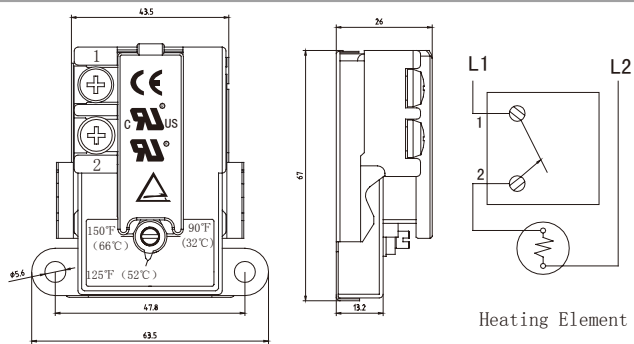
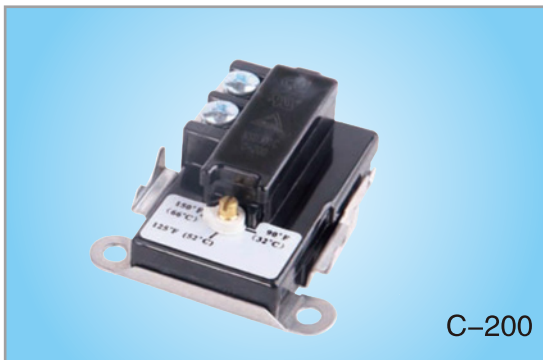
UNIVERSAL REPLACEMENTS FOR ELECTRIC WATER HEATER THERMOSTATS

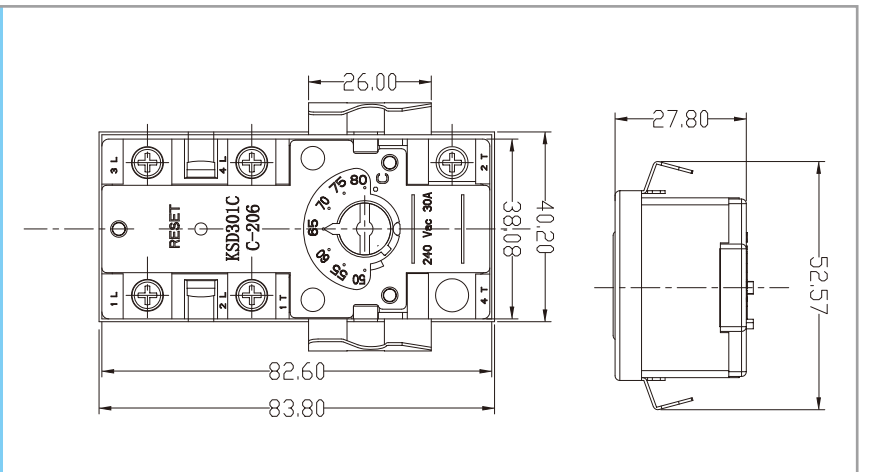
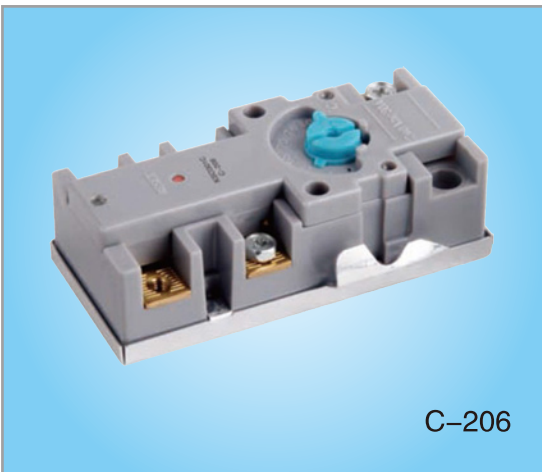
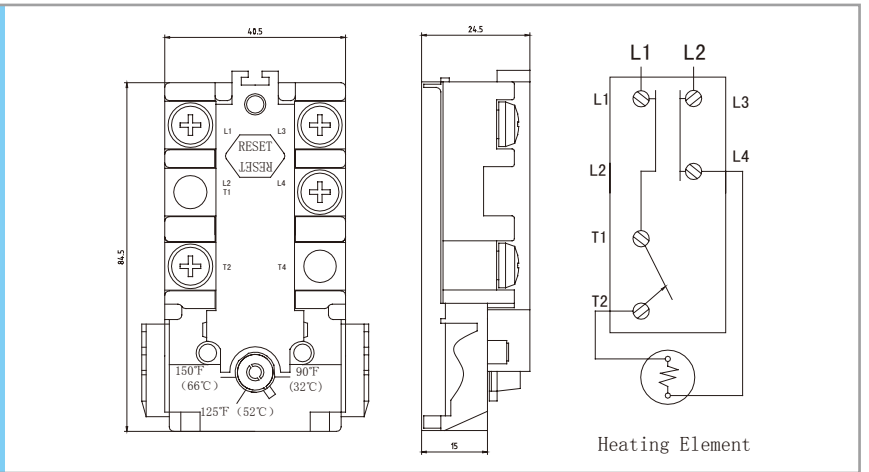
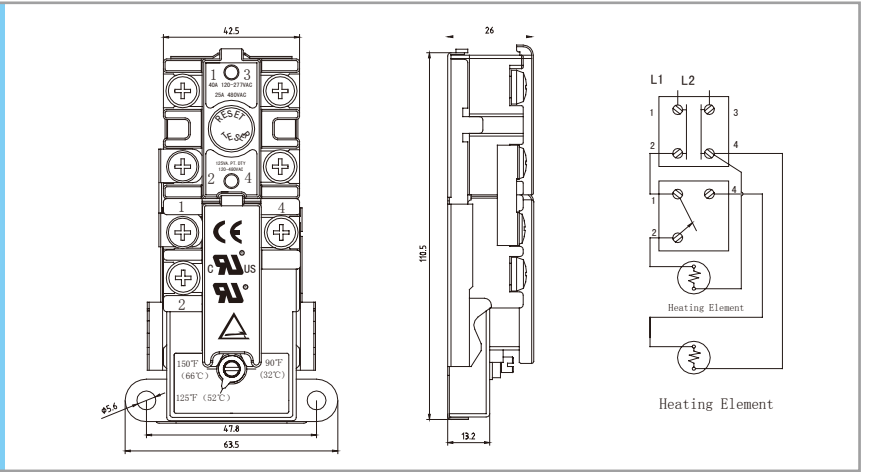
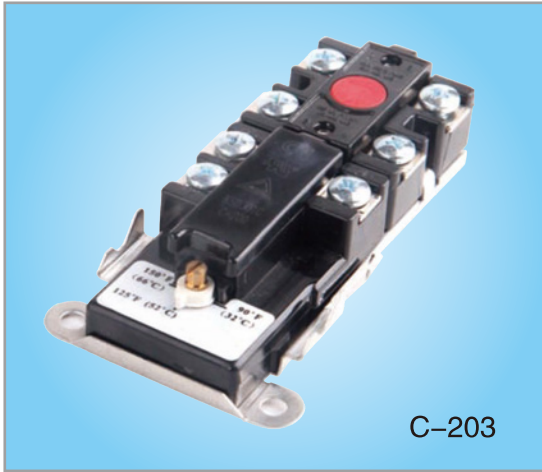
Panel Mount Temperature Sensing Controls

Features

1. High Electrical capacity
2. Snap-Action cont
3. Long life-proven reliability
4. Adjustable control or manual reset sty

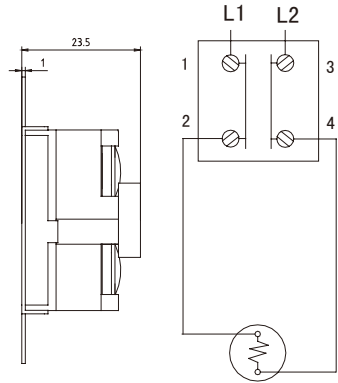
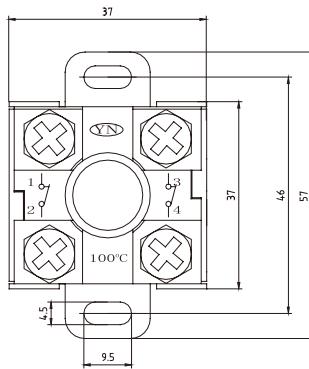
Approval: UL TUV CUL CE







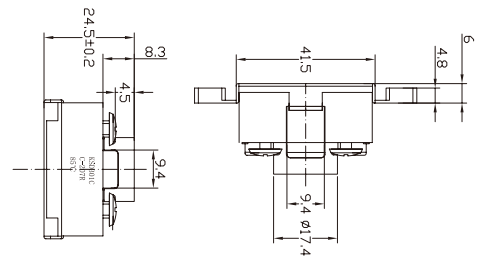
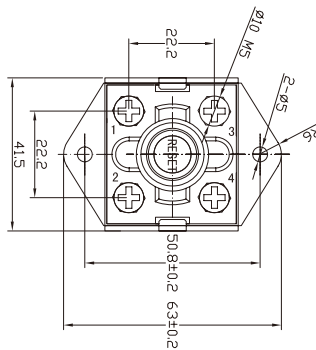
C-207



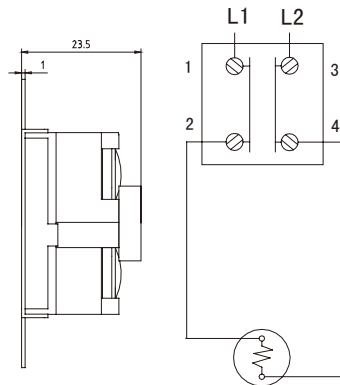
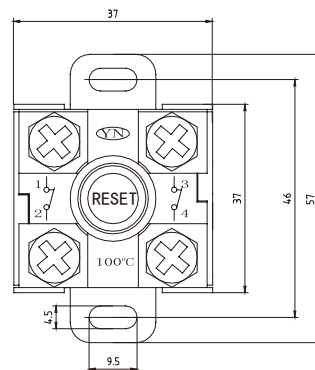
Heating Element



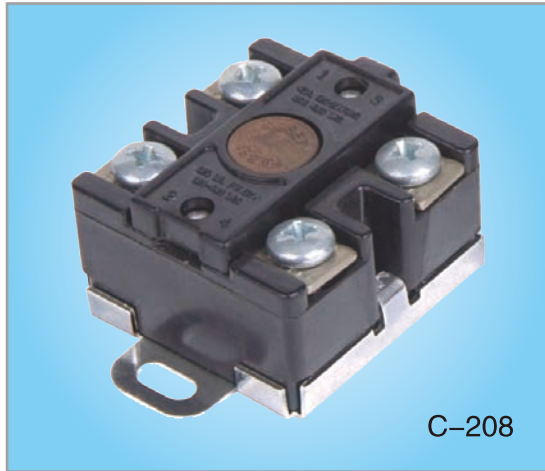
C-207C



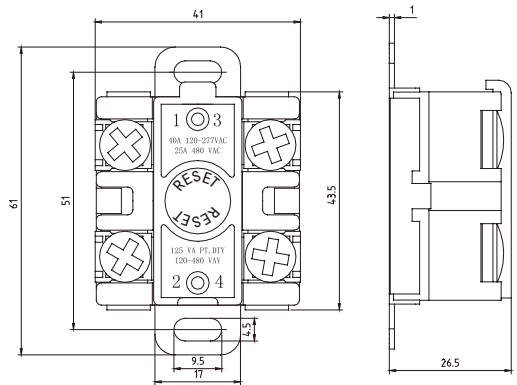
C-207R



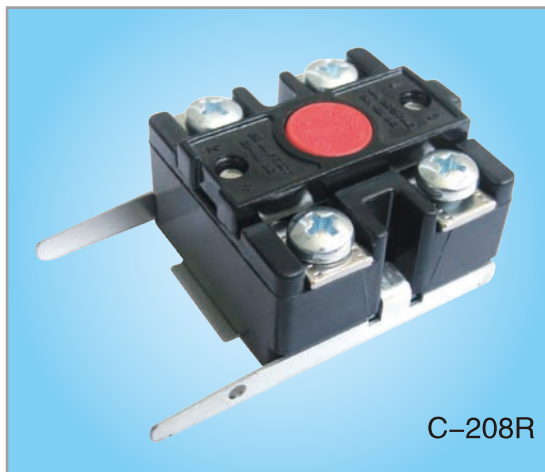
Heating Element



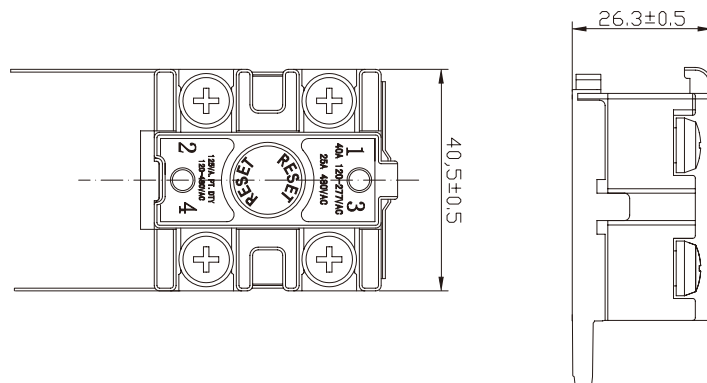
C-208



Heating Element



C-208R



ZETTLER GROUP



ZETTLER CONTROLS, INC.

75 Columbia
Aliso Viejo, CA 92656
TEL: 949-360-5840
FAX: 949-360-5839
E-Mail: sales@zettlercontrols.com
WEB: www.zettlercontrols.com



ZETTLER CONTROLS [Ningbo] CO., LTD

No. 120-126 Jifeng Road
Jishigang Industrial Zone
Ningbo, 315171
China
Tel: +86 574 27950903
Fax: +86 574 88005132
WEB: www.zettlercontrolscn.com



ZETTLER ELECTRONICS

GmbH - GERMANY

Junkersstrasse 3
82178 Puchheim
Germany
TEL: +49 89 800 97 0
FAX: +49 89 800 97 200
WEB: www.zettlerelectronics.com



ZETTLER CONTROLS [HK] LTD

Unit 2A, Wing Tai Center
No. 12 Hing Yip Street Kwun Tong Kowloon,
Hong Kong
TEL: +852 2375 1288
FAX: +852 2375 7433
WEB: www.zettlerhk.com



ZETTLER ELECTRONICS

POLAND sp.z.o.o.

Osadnikow Wojskowych 40
68-200 Zary
Poland
TEL: +48 68 47 91 437
FAX: +48 68 47 91 439
WEB: www.zettlerelectronics.pl



XIAMEN ZETTLER ELECTRONICS CO., LTD

6-7/F Yinfeng Building, No. 48-50 Huli Ave
Huli District
Xiamen 361006
China
TEL: +86 592 2650 988
FAX: +86 592 2650 900
WEB: www.zettlercn.com

Other Zettler Group Companies:

AMERICAN ZETTLER, INC - Relays www.azettler.com
ZETTLER MAGNETICS - Transformers www.zettlermagnetics.com
AZ DISPLAYS - LCD'S www.azdisplays.com