



NEU!

PRODUCT INFORMATION

CA1330/08

3 pole AC power contactors for central inverters



Schaltbau 3 pole CA1330/08 Series contactors provide the ideal interface between inverter and grid.

CA Series power contactors are the cost-effective alternative to circuit breakers for switching PV inverter systems on and off the electrical grid.

The AC contactors feature high short-circuit breaking capacity and double coils which provide for reduced power dissipation of the switching device when operated continuously. Thus manufacturers of these systems will benefit in costs, safety and reliability by the new Schaltbau power contactors.

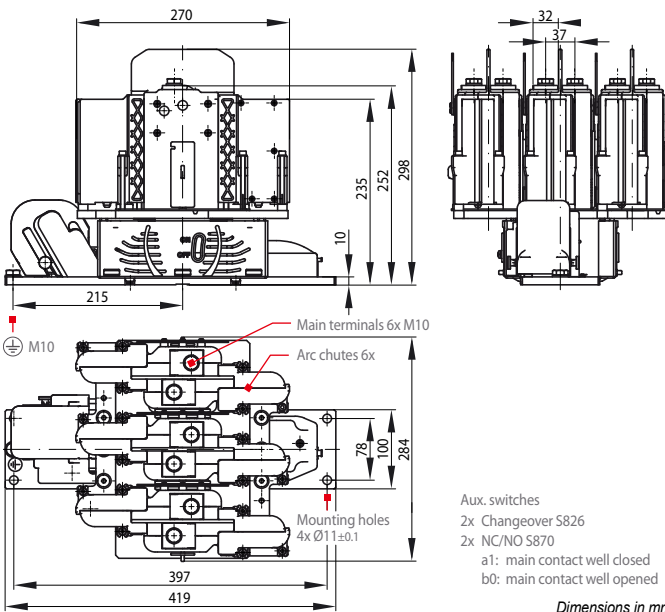
Features and application

- **3 pole contactor with double-break contacts**
High short-circuit breaking capacity
- **Innovative design**
Compact, rugged, reliable, low maintenance
- **AC power contactor for central inverters**
Performance ranging from 500 ... 1,000 kVA

Standards:

IEC 60947-1, IEC 60947-4-1, IEC 60947-5-1

Dimension diagram



Specifications

Series	CA1330/08
Type of voltage	AC ($f \leq 400$ Hz)
Main contacts	3 x SPST-NO
Rated insulation voltage U_i	3,000 V AC
Rated impulse withstand voltage U_{imp}	15 kV
Pollution degree	PD3
Overvoltage category	OV3
Conventional thermal current I_{th}	800 A
Rated short-time withstand current I_{cw}	8,000 A
Auxiliary contacts	1 x S870 (a ₁), 1 x S870 (b ₀), 2 x S826
Coil voltage U_s	24 / 36 / 48 / 72 / 110 V DC
Power dissipation	Pull-in: 170 W / Hold: 15 W
Mechanical endurance	> 500,000 cycles
Mounting orientation	horizontal / vertical, do not mount upside down
Temperature range	-40° C ... +70° C
Weight	approx. 25 kg